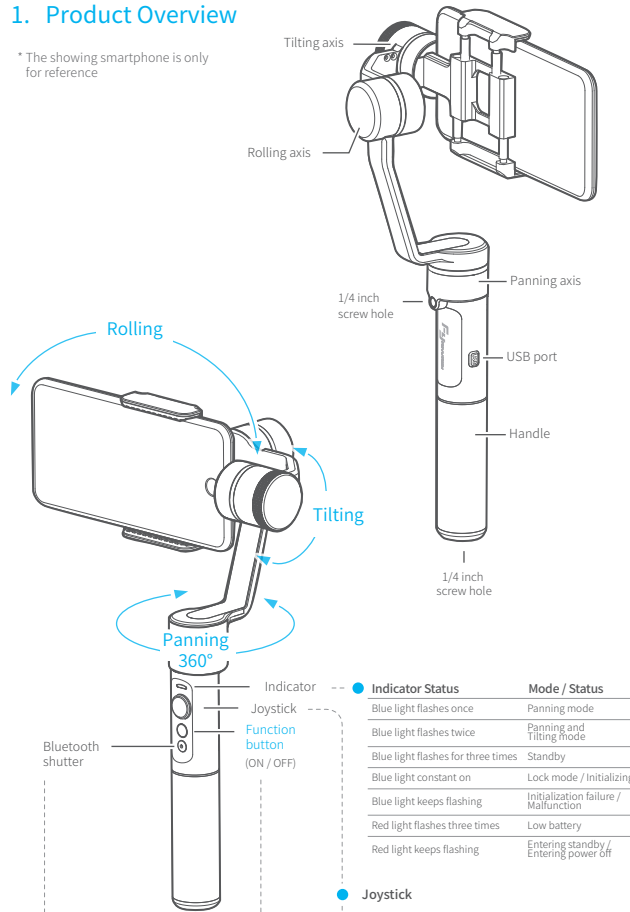


# SPG Live

## 3-Axis Stabilized Handheld Gimbal for Smartphone

### 1. Product Overview

\* The showing smartphone is only for reference



Indicator Status	Mode / Status
Blue light flashes once	Panning mode
Blue light flashes twice	Panning and Tilting mode
Blue light flashes for three times	Standby
Blue light constant on	Lock mode / Initializing
Blue light keeps flashing	Initialization failure / Malfunction
Red light flashes three times	Low battery
Red light keeps flashing	Entering standby / Entering power off

Joystick	Camera lens
Up	Down
Down	Up
Left	Left
Right	Right

**Function Button**  
You can using the function button to switch the working mode, power on or power off the gimbal.  
Please refer to "Modes / Functions".

**ON:** Long press Function Button and release it until the green light is on.  
**OFF:** Long press Function Button and release it until the red light changes from quick flashing to constant.

**Bluetooth Shutter** Bluetooth name: FY\_SPLive\_xx

**Tips:** (1) Make sure the volume "+" key of your smartphone can control the shooting.  
(2) Android devices: Android 4.3 and above, the hardware of smartphone support bluetooth 4.0 / BLE protocol  
After connecting with bluetooth, the button can be used as shutter function and the gimbal indicator will blink a green light every 10 seconds.

**Connecting steps:**  
(1) Turn on the bluetooth of your smartphone. (2) Connect your smartphone with "FY\_SPLive\_xx".  
(3) It can act as a mobile phone camera shutter after a successful connection.

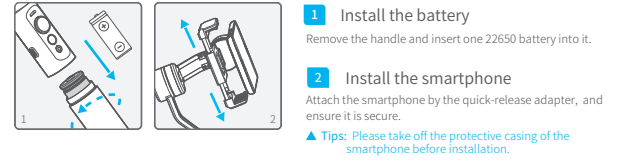
When you change your smartphone, please first shutdown Bluetooth of the previous one, then start Bluetooth pairing for the new one. 10 pieces of pairing info can be stored in this product.

**Bluetooth pairing information clear:** In boot-up state, long press the Bluetooth Shutter of the gimbal until the red light is on to clear all the bluetooth pairing info. After clearing, smartphone paired previously need to clear "FY\_SPLive\_xx" first, then shutdown the Bluetooth of smartphone and reopen it to pair anew.

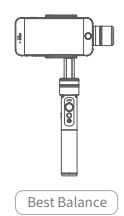
**Using App:** You can perform various settings and operations via specified smartphone app when the bluetooth is paired.

### 2. User Guide

**Attention!** (1) Please install the smartphone before powering on the gimbal  
(2) Please turn off the power when the gimbal is not in use, then remove the smartphone



**Balance Adjustment**  
In order to achieve in a better performance of the gimbal, please try to adjust the smartphone installation to the best balance.



**Power on / off**  
**Power on:** Long press Function Button and release it until the green light is on.  
**Power off:** Long press Function Button and release it until the red light changes from quick flashing to constant.

**Attention:** Turn the gimbal on after ensuring the smartphone is secure.

If the battery power is too low, the red light will flash 3 times every 5 seconds. Please shut down the gimbal in time, and recharge or replace the battery.

### 3. Modes / Functions

**Working Modes**

**Panning Mode**  
The phone can move to left or right smoothly along with the handheld moving. The tilting and rolling directions fixed.  
\*Boot default mode: Panning mode

**Panning and Tilting Mode**  
The phone can move to left or right and tilt up and down smoothly along with the handheld moving. The rolling directions fixed.

**Lock Mode**  
The phone stays in its current orientation. The panning, tilting and rolling direction are all fixed.

**Other Functions**

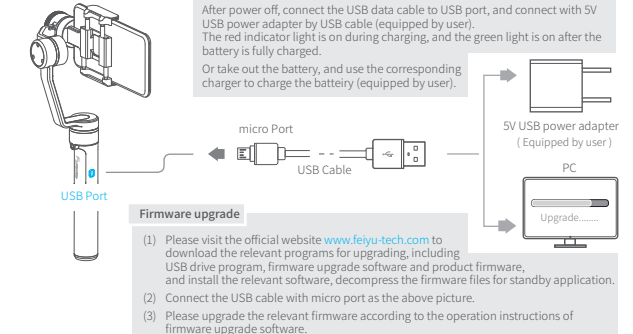
**Vertical Shooting**  
Move the gimbal to the right (or left) slowly as picture, if the angle between tilting axis motor and panning axis motor is less than 30°, click the function button to switch to vertical shooting. Vice versa. \* Applicable to the firmware V1.46 and above version.

**Reset**  
Reset the tilting axis of the gimbal to initial orientation and initial mode.

**Standby**  
In standby mode, keep the gimbal in power-up state, the motor stops working, the indicator light flashes for three times, and single tap again the function button to wake up the gimbal.

Function Button	Function	Explanation
Single tap	Panning Mode / Lock Mode	Single tap to switch between panning mode and lock mode
Double tap	Panning and Tilting Mode	Under panning and tilting mode, single tap to switch to lock mode
Triple tap	Rotate 180° in horizontal	Make the lens rotate 180°
Quadruple tap	Reset	Reset the tilting axis of the gimbal to initial orientation and initial mode
Long press until the red light flashes quickly	Standby	Single tap again to awake the gimbal, or triple tap to initialize the gimbal

### 4. USB Port



### 5. Gimbal Horizontal Angle Adjustment (Initialize the gimbal)

The horizontal angle needs to be adjusted whenever the following situations happen to the gimbal

- The tilt angle is not leveled with the horizontal surface.
- The roll angle is not parallel to the horizontal surface.
- Under lock mode, the panning angle drifts.

**Adjusting steps:**

- In boot-up state, long press the Function Button until the red light flashes quickly to enter standby status, the blue light will flash 3 times periodically.
- Lay the gimbal on a static flat surface and triple tap the Function Button. Initialization is successful when the blue light changes from constant on to flashing 3 times periodically.

When the initialization failed, the LED indicator will flash quickly, repeat step (2) to reinitialize.

### 6. Parameters

Tilting Angle	320°
Rolling Angle	320°
Panning Angle	360°
Tilting Increments	2°/s ~ 75°/s
Panning Increments	3°/s ~ 150°/s
Usage time	8 Hours
Adaption	iPhone series / HUAWEI P9 / HUAWEI P9 Plus / Mi 5 / MEIZU MX6 / SAMSUNG NOTE 5 / S7 or other smartphones with the similar dimensions
Weight	355g (not including battery and smartphone)

Package List	
Product model	Quantity
SPG Live	1
Batteries (Type:22650)	1
USB cable	1
Light counter weight	1
Heavy counter weight	1
1mm counter weight	1
User manual	1
Warranty card	1

**DISCLAIMER**

Prohibit any user for any illegal purpose. Users will be responsible for all behaviors of purchase and use products.  
The Company assumes no liability for any risks related to or resulting from the debug and use of this product (including the direct, indirect or third-party losses).  
For any unknown sources of using, we will not be at any services.  
The updating and changes of product firmware and program may cause changes in function descriptions in this user manual, please read the instructions carefully before upgrading the firmware and use the corresponding user manual.  
You can get the latest user manual from the official website: [www.feiyu-tech.com](http://www.feiyu-tech.com)  
Feiyu Tech reserves the right to amend this manual and the terms and conditions of use the product at any time.

**Attention**

- Please correctly assemble the gimbal in accordance with the diagram.
- Please install the iPhone before powering on the gimbal.
- When the gimbal is not in use or placed on the table, please ensure it is powered off.

Create More Possibilities

For more information, please visit our official website [www.feiyu-tech.com](http://www.feiyu-tech.com)  
Support Email: [service@feiyu-tech.com](mailto:service@feiyu-tech.com)

[www.feiyu-tech.com](http://www.feiyu-tech.com)