



Operating Instructions  
Bedienungsanleitung



CAFFEO<sup>®</sup>  
PASSIONE<sup>®</sup> OT

ENGLISH

ESPAÑA

TÜRKÇE

POLSKA

РУССКИЙ

УКРАЇНСЬКА



## Table of contents

<b>1</b>	<b>For your safety</b> .....	<b>5</b>
1.1	Symbols used .....	6
1.2	Proper use.....	6
1.3	Danger from electric current .....	6
1.4	Risk of burns and scalds.....	7
1.5	General safety.....	7
<b>2</b>	<b>Overview of the appliance</b> .....	<b>8</b>
2.1	Appliance at a glance .....	8
2.2	Control panel at a glance .....	10
<b>3</b>	<b>First steps</b> .....	<b>11</b>
3.1	Unpacking the appliance.....	11
3.2	Checking the delivery contents.....	11
3.3	Installing the appliance .....	12
3.4	Connecting the appliance .....	12
3.5	Switching on the appliance for the first time .....	12
<b>4</b>	<b>Basic operation</b> .....	<b>14</b>
4.1	Switching the appliance on and off .....	14
4.2	Using the control panel .....	15
4.3	Navigating in the menu.....	15
4.4	Filling coffee beans into the bean container .....	17
4.5	Filling with water.....	18
4.6	Adjusting the outlet.....	19
4.7	Using milk.....	20
4.8	Emptying the drip tray and coffee grounds container.....	22
<b>5</b>	<b>Preparing beverages</b> .....	<b>23</b>
5.1	Preparing Espresso and Café Crème .....	23
5.2	Preparing Cappuccino .....	24
5.3	Preparing Latte Macchiato .....	24
5.4	Preparing milk foam or warm milk .....	25
5.5	Preparing hot water .....	25
5.6	Preparing further beverage specialities with recipes .....	25
5.7	Changing beverage settings before and during preparation .....	27
5.8	Stopping beverage preparation.....	28
5.9	Preparing two beverages simultaneously .....	28
<b>6</b>	<b>Permanently changing beverage settings</b> .....	<b>29</b>
6.1	Changing default settings .....	29

<b>7</b>	<b>Changing basic settings.....</b>	<b>30</b>
7.1	Setting the language.....	30
7.2	Setting Auto OFF.....	30
7.3	Setting energy save mode.....	31
7.4	Resetting the appliance to the factory settings.....	31
7.5	Information on the appliance status.....	32
7.6	Setting the grinding fineness.....	33
<b>8</b>	<b>Care and maintenance.....</b>	<b>34</b>
8.1	General cleaning.....	34
8.2	Rinsing the coffee system.....	34
8.3	Removing and cleaning the brewing unit.....	35
8.4	Using the "Easy Cleaning" programme.....	36
8.5	Using the "Cleaning milk system" programme.....	36
8.6	Using the "Cleaning coffee system" programme.....	38
8.7	Using the "Descaling" programme.....	38
8.8	Setting the water hardness.....	39
8.9	Using a water filter.....	40
<b>9</b>	<b>Problems.....</b>	<b>42</b>
<b>10</b>	<b>Transport, storage and disposal.....</b>	<b>43</b>
10.1	Venting the appliance.....	43
10.2	Transporting the appliance.....	43
10.3	Disposing of the appliance.....	44
<b>11</b>	<b>Technical data.....</b>	<b>45</b>

## Dear Customer,

Thank you for purchasing the Caffeo® Passione® fully automatic coffee maker.

The operating instructions will help you discover the diverse options offered by the appliance and enjoy your coffee to the full.

Read through the operating instructions carefully. This helps avoid personal injury and material damage. Store the operating instructions carefully. If you pass on the appliance, include the operating instructions with it.

Melitta accepts no liability for damage caused by failure to observe the operating instructions.

If you require further information or have any questions on the appliance, contact Melitta or visit our website at:  
[www.melitta.de](http://www.melitta.de)

We hope you enjoy using your appliance.

## 1 For your safety

- CE** The appliance conforms to the following European directives:
- 2006/95/EC (low voltage),
  - 2004/108/EC (electromagnetic compatibility),
  - 2011/65/EU (RoHS),
  - 2009/125/EC (eco-design/ErP).

The appliance has been built using the latest technology. Nevertheless, some residual dangers remain.

Observe the safety instructions to avoid dangers. Melitta accepts no liability for damage caused by failure to observe the safety instructions.

## 1.1 Symbols used

The following symbols indicate particular risks in using the appliance or provide useful tips.

### CAUTION

The signal word CAUTION indicates possible injuries.

### ATTENTION

The signal word ATTENTION indicates possible damage to the appliance.

### Information

The signal word "Information" indicates additional notes and tips on using the appliance.

## 1.2 Proper use

The appliance is used to prepare beverages made from coffee beans, and to heat milk and water.

The appliance is intended for use in private households.

Any other use is regarded as improper and may lead to personal injury and material damage. Melitta accepts no liability for damage that arises due to improper use of the appliance.

## 1.3 Danger from electric current

If the appliance or the power cable is damaged, there is a risk of fatal electric shock.

Observe the following safety instructions to avoid danger from electric current:

- Do not use a damaged power cable.
- A damaged power cable may only be replaced by the manufacturer, its customer service or its service partner.
- Do not open any covers firmly screwed onto the appliance housing.
- Only use the appliance when it is in a technically flawless condition.

- A defective appliance may only be repaired by an authorised workshop. Do not repair the appliance yourself.
- Do not undertake any changes to the appliance, its components or its accessories.
- Do not immerse the appliance in water.

#### 1.4 Risk of burns and scalds

Escaping fluids and steam can be very hot. Parts of the appliance can also become very hot.

Observe the following safety instructions to avoid scalds and burns:

- Avoid escaping fluids and steam coming into contact with the skin.
- Do not touch the nozzles on the outlet during and immediately after dispensing a beverage. Wait until the components have cooled down.

#### 1.5 General safety

Observe the following safety instructions to avoid personal injury and material damage:

- Do not reach into the interior of the appliance during operation.
- Keep the appliance and its power cable out of the reach of children under 8 years of age.
- This appliance may be used by children over 8 years of age and by persons with reduced physical, sensory or mental capabilities or a lack of experience and knowledge if they are supervised or have been instructed in using the appliance safely and understand the resulting risks.
- Children must not play with the appliance. Cleaning and maintenance must not be undertaken by children younger than 8 years of age. Children over 8 years of age must be supervised during cleaning and maintenance.
- Disconnect the appliance from the power supply when left unsupervised for a long time.

## 2 Overview of the appliance

### 2.1 Appliance at a glance

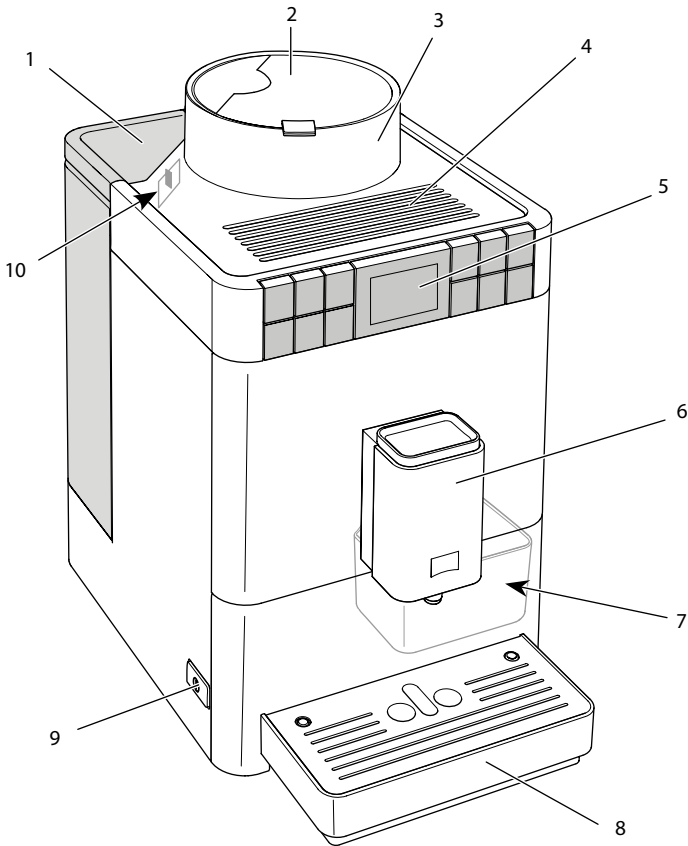
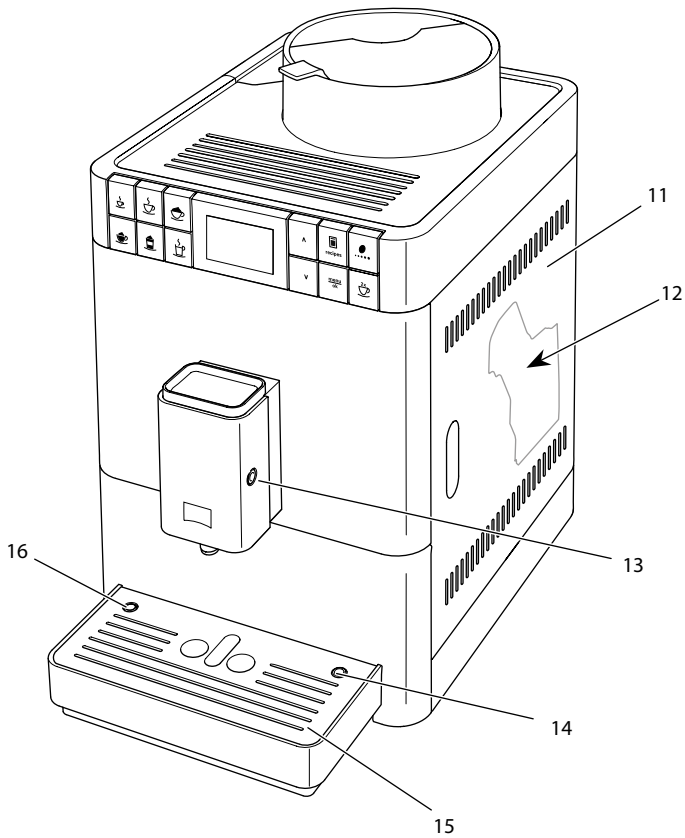


Fig. 1: Front left of the appliance

- |                             |   |
|-----------------------------|---|
| 1 Water tank with lid       | 6 Height-adjustable outlet with 2 coffee nozzles, 1 milk nozzle, 1 hot water nozzle, cup illumination |
| 2 Lid of the bean container | 7 Coffee grounds container (inner)  |
| 3 Bean container            | 8 Drip tray   |
| 4 Cup rest                  | 9 ON/OFF button   |
| 5 Control panel             | 10 "Grinding fineness adjustment" lever (inner)   |





*Fig. 2: Front right of the appliance*

- |                                       |  |
|---------------------------------------|--|
| 11 Cover                              | 14 Milk hose connection at the drip tray |
| 12 Brewing unit (inner)               | 15 Cup plate                             |
| 13 Milk hose connection at the outlet | 16 Float                                 |

## 2.2 Control panel at a glance

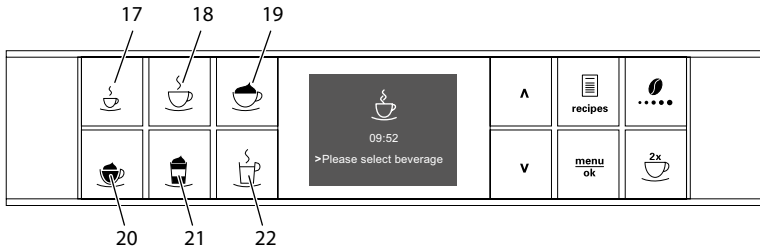


Fig. 3: Direct keys

Item	Designation	Function
17	Espresso	Preparing Espresso
18	Café Crème	Preparing Café Crème
19	Cappuccino	Preparing Cappuccino
20	Milk foam/Warm milk	Preparing milk foam and warm milk
21	Latte Macchiato	Preparing Latte Macchiato
22	Hot water	Preparing hot water

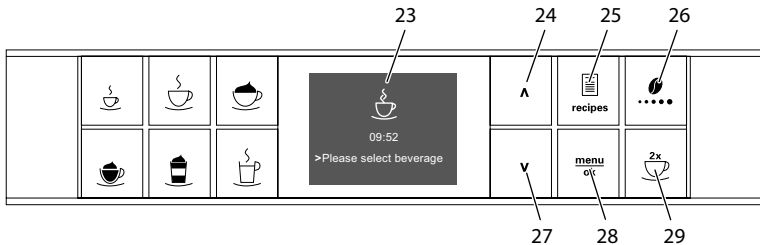


Fig. 4: Display and buttons

Item	Designation	Function
23	Display	Display of current menus and messages Example: Ready symbol
24	Up arrow button	Navigating up in the menu or increasing the quantity
25	Recipes	Selecting and preparing recipes
26	Coffee strength	Setting the coffee strength
27	Down arrow button	Navigating down in the menu or reducing amount
28	menu/ok	Calling up the menu or confirming inputs
29	Two cups	Two-cup dispensing

## 3 First steps

This chapter describes how to prepare your appliance for use.

### 3.1 Unpacking the appliance

In addition to the appliance, there are further accessories in the packaging such as cleaning aids and agents.

#### **⚠ CAUTION**

**Contact with cleaning agents may lead to eye and skin irritation.**

- Keep the supplied cleaning agents out of the reach of children.
- Unpack the appliance. Remove the packaging material, the adhesive strips and the protective films from the appliance.
- Keep the packaging material for transport and possible return shipments.

#### **i Information**

The appliance may contain traces of coffee and water. The appliance has been tested in the factory to ensure that it functions perfectly.

### 3.2 Checking the delivery contents

Check the completeness of delivery using the following list. If parts are missing, contact your retailer.

- Screw-in aid for the water filter
- Long milk hose
- Cleaning brush
- Fully automatic coffee makers cleaner
- Milk system cleaning agent
- Fully automatic coffee makers descaling agent
- Water filter
- Test strip for determining the water hardness.

Depending on the version, also with a

- milk container with short milk hose.

### 3.3 Installing the appliance

Observe the following instructions:

- Do not install the appliance in damp rooms.
- Install the appliance on a stable, flat and dry surface.
- Do not install the appliance in the vicinity of sinks or the like.
- Do not install the appliance on hot surfaces.
- Install the appliance at a sufficient distance (approx. 10 cm) from the wall and other objects. The space above the appliance should be at least 20 cm.
- Route the power cable so it cannot be damaged by edges or hot surfaces.

### 3.4 Connecting the appliance

Observe the following instructions:

- Check that the supply voltage matches the operating voltage specified in the technical data (see the *Technical data* on page 45 table).
- Only connect the appliance to a properly installed earthing contact socket. If in doubt, consult a specialist electrician.
- The protective contact socket must have a fuse of at least 10 A.

### 3.5 Switching on the appliance for the first time

During initial start-up, the language, the time and the water hardness can be set. The settings can be changed at a later point in time (see chapter 7 *Changing basic settings* on page 30 and chapter 8.8 *Setting the water hardness* on page 39).

Use the enclosed test strips to determine the water hardness. Observe the instructions on the test strip packaging and in Table *Water hardness range* on page 45.

#### Information

- We recommend pouring away the first two cups of coffee after initial start-up.
- If you want to use a water filter, only insert this after starting up for the first time.

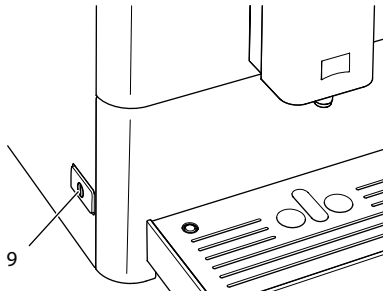


Fig. 5: ON/OFF button

**Requirement:** The appliance has been installed and connected.

1. Place a vessel beneath the outlet.
2. Press the ON/OFF button.
  - » The welcome display appears on the appliance.
  - » The request to carry out the setup appears: *Please set up the machine.*
3. Confirm with "menu/ok".
  - » The *Language* menu appears.
4. Select your language with the arrow buttons. Confirm with "menu/ok".
  - » The *Water hardness* menu appears.
5. Select the determined water hardness range with the arrow buttons or confirm the default value with "menu/ok".
  - » The request *Please refill and insert water tank* appears.
6. Remove the water tank. Rinse the water tank out with clean water. Fill the water tank with fresh water and insert it.
  - » The appliance heats up and performs automatic rinsing.
  - » The ready symbol appears on the display.
7. Fill coffee beans into the bean container. To do this, read section 4.4 *Filling coffee beans into the bean container* on page 17.
  - » As required, a water filter can now be inserted (see section 8.9 *Using a water filter* on page 40).

## 4 Basic operation

This chapter describes basic operating steps for using the appliance on a daily basis.

### 4.1 Switching the appliance on and off

Before switching on after starting up the appliance for the first time, read section 3.5 *Switching on the appliance for the first time* on page 12.

#### Information

- When switched on and off, the appliance performs automatic rinsing.
- During rinsing, rinsing water is also conducted into the drip tray.

#### Switching on the appliance

1. Place a vessel beneath the outlet.
  2. Press the ON/OFF button (9).
    - » The welcome display appears on the appliance.
    - » The appliance heats up and performs automatic rinsing.
- » The ready symbol appears on the display.

#### Information

If the appliance was only switched off briefly, there is no automatic rinsing after switching on.

#### Switching off the appliance

1. Place a vessel beneath the outlet.
  2. Press the ON/OFF button (9).
    - » The appliance performs automatic rinsing.
- » The appliance switches off.

#### Information

- The appliance switches off automatically when it is not operated for a long time. Automatic rinsing is also carried out in this case.
- The off time can be set in the *Auto OFF* menu, see section 7.2 *Setting Auto OFF* on page 30.
- If no beverage has been prepared since switching on or if the water tank is empty, no rinsing takes place.

## 4.2 Using the control panel

The essential programmes can be accessed using the control panel.

Press the required button. Use the following actions to operate the buttons:



### Brief press

Briefly press a button to select a programme.



### Long press

Press a button for longer than 2 seconds to select a second programme that may be available.

## 4.3 Navigating in the menu

To set individual beverages and for maintenance and care, call up the menu on the display and navigate in the menu.

Observe the instructions on the display.

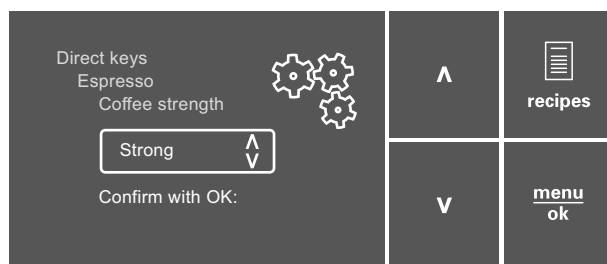


Fig. 6: Display (example) and buttons for navigation

Use the following options to navigate in the menu:



### Calling up the menu and confirming the selection



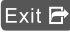
Press the "menu/ok" button for longer than 2 seconds to call up the menu.

Briefly press the "menu/ok" button to confirm your selection.

## Navigating in the menu or changing a numerical value

-   Press the arrow buttons to navigate down or up in the menu. Press the arrow buttons to increase or decrease a numerical value. Press and hold an arrow button to quickly reach the required position or numerical value.

## Exiting a menu

-  Select the *Exit* command with the arrow buttons and confirm with "menu/ok" to exit a menu. Exit submenus that only display information and where no settings are made with "menu/ok".

## Calling up submenus

Certain of the appliance's programmes are reached by calling up several submenus in succession.

Submenus are always called up in a similar manner. Navigation to the *Descaling* programme is described here as an example.

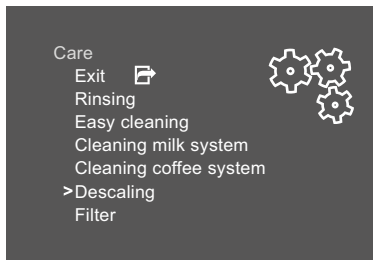


Fig. 7: Navigating to the *Descaling* programme

1. Press the "menu/ok" button for 2 seconds.
  - » The menu appears on the display.
2. Use the arrow buttons to select *Care* and confirm with "menu/ok".
3. Use the arrow buttons to select *Descaling* and confirm with "menu/ok".

The selection of a programme is always shown in shortened form in these operating instructions:

- Navigate to the *Care > Descaling* menu.



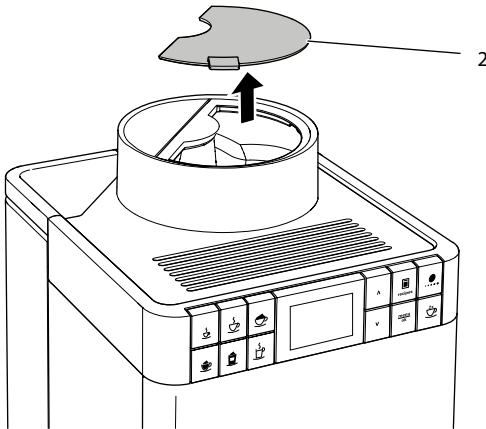
## 4.4 Filling coffee beans into the bean container

Roasted coffee beans lose their aroma. Only fill the bean container with as many coffee beans as you will consume over the next 3 to 4 days.

### ATTENTION

**The use of unsuitable types of coffee can lead to clogging of the grinder.**

- Do not use freeze-dried or caramelised coffee beans.
- Do not use any coffee powder or instant products.



*Fig. 8: Opening the lid of the bean container.*

1. Open the lid (2) of the bean container.
2. Fill coffee beans into the bean container.
3. Close the lid of the bean container.

## 4.5 Filling with water

Only use fresh, cold water without carbon dioxide for optimum coffee enjoyment. Change the water daily.

### Information

The quality of the water largely determines the flavour of the coffee. Therefore, use a water filter (see section 8.8 *Setting the water hardness* on page 39 and section 8.9 *Using a water filter* on page 40).

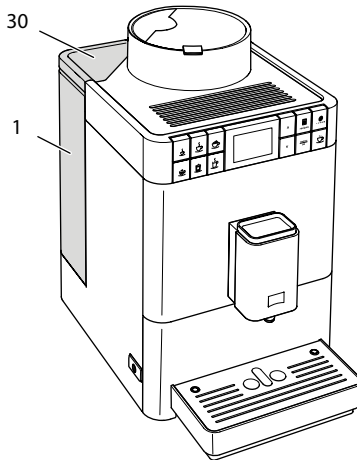


Fig. 9: Water tank

1. Open the lid of the water tank (30) and pull the water tank (1) upwards out of the appliance by the handle.
2. Fill the water tank with water.
3. Insert the water tank into the appliance from above and close the lid.

## 4.6 Adjusting the outlet

The outlet (6) is height-adjustable. Set the greatest possible distance between the outlet and the vessel. Depending on the vessel, push the outlet up or down.

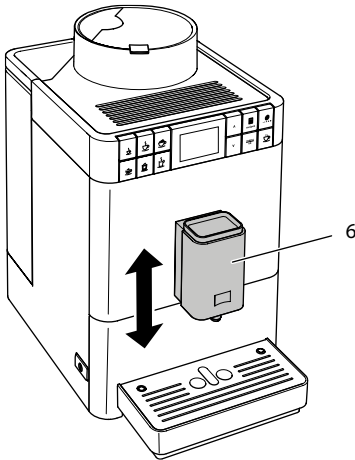


Fig. 10: Adjusting the outlet

## 4.7 Using milk

Use cooled milk for optimum coffee enjoyment. Depending on the version of the appliance, use the long milk hose supplied or the milk container supplied.

### Connecting the milk container

A milk container is not available for all versions of the Caffeo® Passione®.

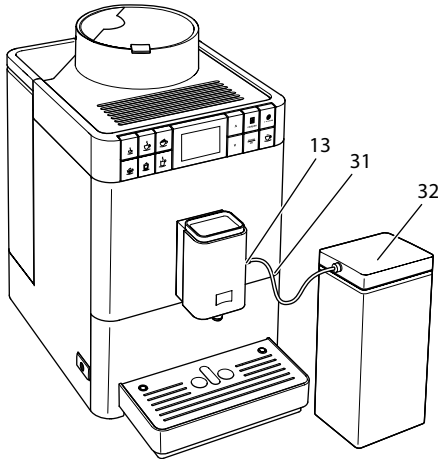


Fig. 11: Connected milk container

1. Connect the milk hose (31) to the connection at the outlet (13).
2. Connect the free end of the milk hose to the milk container (32).

#### Information

Store the filled milk container in the refrigerator.

## Connecting the milk pack

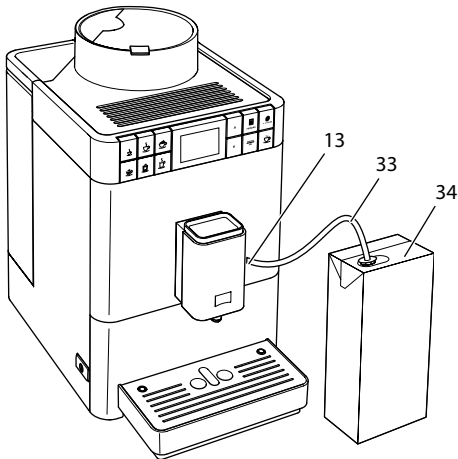


Fig. 12: Connected commercial milk pack

1. Connect the long milk hose (33) to the connection at the outlet (13).
2. Insert the free end of the milk hose into a commercial milk pack (34).

## 4.8 Emptying the drip tray and coffee grounds container

After dispensing several beverages, the drip tray (8) and the coffee grounds container (7) can become full. The projecting float (16) indicates the current filling level of the drip tray.

After a specified number of beverage have been dispensed, the appliance also shows that the drip tray and coffee grounds container are full.

Always empty the drip tray and coffee grounds container.

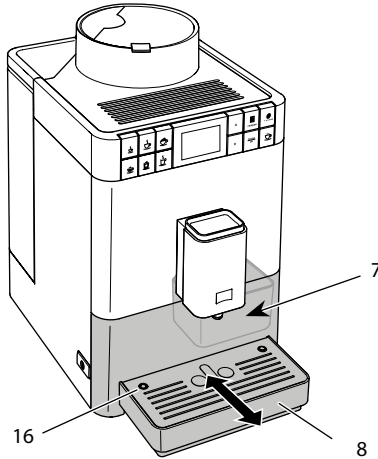


Fig. 13: Emptying the drip tray and coffee grounds container

1. Pull the drip tray (8) forwards out of the appliance.
2. Remove the coffee grounds container (7) and empty it.
3. Empty the drip tray.
4. Insert the coffee grounds container.
5. Push the drip tray into the appliance up to the stop.

### **i** Information

If you empty the drip tray and the coffee grounds container while the appliance is switched off, the appliance does not register this process. Therefore, it is possible that you are requested to empty the containers although the drip tray and the coffee grounds container are not yet full.

## 5 Preparing beverages

There are two options for preparing beverages:

- Standard dispensing as described below,
- Selection and preparation of a recipe (see section 5.6 *Preparing further beverage specialities with recipes* on page 25).

### Information

The default settings for standard dispensing or for a recipe can be permanently changed (see section 6.1 *Changing default settings* on page 29).

Note:

- There should always be sufficient water in the water tank. If the filling level is too low, the appliance requests you to refill it.
- There should always also be sufficient coffee beans in the bean container. If there are no longer any coffee beans present, the appliance stops the preparation of a coffee beverage.
- The appliance does not indicate a lack of milk.
- The vessels for the beverages should be sufficiently large (see Table *Factory settings* on page 45).

### 5.1 Preparing Espresso and Café Crème



**Requirement:** The ready symbol appears on the display.



1. Place a vessel beneath the outlet.
2. Press the "Espresso" or "Café Crème" button.
  - » The grinding process and beverage dispensing start.
  - » Beverage dispensing is ended automatically.
3. Remove the vessel.
  - » The ready symbol appears on the display.

## 5.2 Preparing Cappuccino



**Requirement:** The display shows the ready symbol and milk is connected.

1. Place a vessel beneath the outlet.
2. Press the "Cappuccino" direct key.
  - » The grinding process and coffee dispensing start.
  - » Coffee dispensing is ended automatically.
  - » Milk dispensing begins.
  - » Beverage dispensing is ended automatically.
3. Remove the vessel.
  - » The display shows: *Easy Cleaning? (OK for start)*.
4. You can execute the Easy Cleaning programme or prepare further beverages.
  - a) Execute the Easy Cleaning programme. To do so, follow the instructions on the display. Information on this is available in section 8.4 *Using the "Easy Cleaning" programme* on page 36.
  - b) Prepare further beverages and execute the Easy Cleaning programme later.
    - » The ready symbol appears on the display.

## 5.3 Preparing Latte Macchiato



**Requirements:** The ready symbol appears on the display and milk is connected.

1. Place a vessel beneath the outlet.
2. Press the "Latte Macchiato" direct key.
  - » Milk dispensing begins.
  - » Milk dispensing is ended automatically.
  - » The grinding process and coffee dispensing start.
  - » Beverage dispensing is ended automatically.
3. Remove the vessel.
  - » The display shows: *Easy Cleaning? (OK for start)*.
4. You can execute the Easy Cleaning programme or prepare further beverages.
  - a) Execute the Easy Cleaning programme. To do so, follow the instructions on the display. Information on this is available in section 8.4 *Using the "Easy Cleaning" programme* on page 36.
  - b) Prepare further beverages and execute the Easy Cleaning programme later.
    - » The ready symbol appears on the display.



## 5.4 Preparing milk foam or warm milk



The preparation of milk foam and warm milk is similar.

**Requirement:** The ready symbol appears on the display and milk is connected.

1. Place a vessel beneath the outlet.
2. Press the "Milk foam/Warm milk" direct key.
  - a) Milk foam = briefly press button
  - b) Warm milk = press the button for longer (2 seconds)
    - » Milk dispensing begins.
    - » Beverage dispensing is ended automatically.
3. Remove the vessel.
  - » The display shows: *Easy Cleaning? (OK for start)*.
4. You can execute the Easy Cleaning programme or prepare further beverages.
  - a) Execute the Easy Cleaning programme. To do so, follow the instructions on the display. Information on this is available in section 8.4 *Using the "Easy Cleaning" programme* on page 36.
  - b) Prepare further beverages and execute the Easy Cleaning programme later.
  - » The ready symbol appears on the display.

## 5.5 Preparing hot water



**Requirement:** The ready symbol appears on the display.

1. Place a vessel beneath the outlet.
2. Press the "Hot water" direct key.
  - » Hot water dispensing begins.
  - » Beverage dispensing is ended automatically.
3. Remove the vessel.
  - » The ready symbol appears on the display.

## 5.6 Preparing further beverage specialities with recipes



In addition to standard dispensing, you can select *Recipes* for further beverage specialities in the menu. The following beverage specialities are available here:

Beverage specialities without milk:

- Ristretto
- Lungo
- Americano

Beverage specialities with milk:

- Espresso Macchiato
- Caffè Latte
- Café au Lait

### Preparing Ristretto, Lungo or Americano

The preparation of Ristretto, Lungo und Americano is similar. The selection of a Ristretto is described as an example.

**Requirement:** The ready symbol appears on the display.

1. Place a vessel beneath the outlet.
2. Press the "Recipes" button.
  - » The *Recipes* menu appears on the display.
3. Use the arrow buttons to select *Ristretto*.
4. Confirm your selection with "menu/ok".
  - » The grinding process and beverage dispensing start.
  - » Beverage dispensing is ended automatically.
5. Remove the vessel.
  - » The ready symbol appears on the display.

### Preparing Espresso Macchiato, Caffè Latte or Café au Lait

The preparation of Espresso Macchiato, Caffè Latte and Café au Lait is similar. The preparation of an Espresso Macchiato is described as an example.

**Requirement:** The ready symbol appears on the display and milk is connected.

1. Place a vessel beneath the outlet.
2. Press the "Recipes" button.
  - » The *Recipes* menu appears on the display.
3. Use the arrow buttons to select *Espresso Macchiato*.
4. Confirm your selection with "menu/ok".
  - » The grinding process and coffee dispensing start.
  - » Coffee dispensing is ended automatically.
  - » Milk dispensing begins.
  - » Beverage dispensing is ended automatically.
5. Remove the vessel.
  - » The display shows: *Easy Cleaning? (OK for start)*.
6. You can execute the Easy Cleaning programme or prepare further beverages.
  - a) Execute the Easy Cleaning programme. To do so, follow the instructions on the display. Information on this is available in section 8.4 *Using the "Easy Cleaning" programme* on page 36.

b) Prepare further beverages and execute the Easy Cleaning programme later.

» The ready symbol appears on the display.

## 5.7 Changing beverage settings before and during preparation

Beverage settings can be changed before and during beverage preparation.

### Information

The following settings only apply to the current beverage preparation.

### Changing beverage settings before preparation

The total beverage amount and the coffee strength can be changed before selecting a beverage.



- Before selecting a beverage, use the arrow buttons to set a beverage amount.
- Before selecting a beverage, use the "Coffee strength" button to set the coffee strength.

### Information

- When preparing mixed beverages, the total beverage amount is subdivided according to a specified ratio. This applies to mixed beverages made from coffee with milk or hot water.
- If a beverage is not prepared within 1 minute, the appliance switches to the default settings.

### Changing beverage settings during preparation

The beverage quantity and the coffee strength can be changed during beverage preparation.



- During beverage dispensing, use the arrow buttons to set the relevant beverage amount.
- During the grinding process, use the "Coffee strength" button to set the coffee strength.

## 5.8 Stopping beverage preparation

To stop beverage preparation prematurely, press any direct key.

## 5.9 Preparing two beverages simultaneously



The "Two cups" button is used to prepare two beverages simultaneously. Two-cup dispensing is only possible with pure coffee dispensing, such as Espresso, Café Crème, Ristretto. Two-cup dispensing is not possible with the preparation of hot water, hot milk and all mixed beverages.

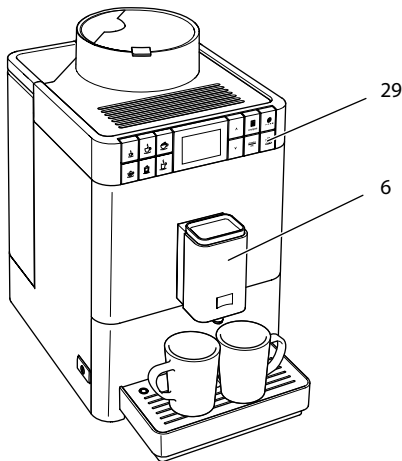


Fig. 14: Two-cup dispensing

1. Place two vessels beneath the outlet (6).
2. Press the "Two cups" button (29).
3. Continue as described for preparation of the relevant beverage.

### **i** Information

- The setting only applies to a single beverage that is prepared.
- If a beverage is not prepared within 1 minute, the appliance switches to single-cup dispensing.

## 6 Permanently changing beverage settings

The appliance offers further options for preparing coffee specialities. Default recipes can be used or the beverage settings can be permanently changed.

### 6.1 Changing default settings

Depending on the beverage, the following default settings can be changed:

- **Coffee amount:** 25 ml to 220 ml
- **Milk amount or milk froth amount:** 25 ml to 220 ml
- **Hot water amount:** 25 ml to 220 ml
- **Coffee strength:** Very mild, mild, normal, strong, very strong
- **Temperature:** Low, normal, high

#### Information

Changed default settings remain valid until they are changed again.

Changing the beverage settings is similar for all beverages. Changing the coffee strength for an Espresso is described here as an example.

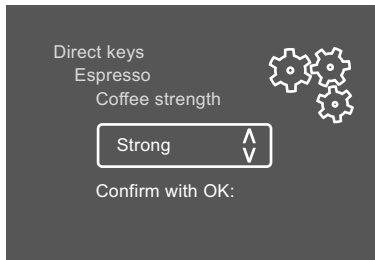


Fig. 15: Setting the coffee strength

**Requirement:** The ready symbol appears on the display.

1. Press the "menu/ok" button for longer than 2 seconds.
  - » The menu appears on the display.
2. Navigate to the *Direct keys* > *Espresso* > *Coffee strength* menu.
3. Use the arrow buttons to select the desired coffee strength and confirm with "menu/ok".
4. Repeatedly select the *Exit* command to exit the menu.
  - » The ready symbol appears on the display.
  - » The newly selected coffee strength is used the next time an Espresso is prepared.

## 7 Changing basic settings

Operating steps that change the appliance's basic settings are described in the following chapter.

### 7.1 Setting the language

The display text language can be set.

**Requirement:** The ready symbol appears on the display.

1. Press the "menu/ok" button for longer than 2 seconds.
  - » The menu appears on the display.
2. Navigate to the *Language* menu.
3. Use the arrow buttons to select a language and confirm with "menu/ok".
4. Exit the menu with the *Exit* command.
  - » The ready symbol appears on the display.

### 7.2 Setting Auto OFF

If the appliance is not operated for a long time, it switches off automatically after a specified time. This time can be set in the *Auto Off* menu.

#### Setting the duration for Auto OFF

**Requirement:** The ready symbol appears on the display.

1. Press the "menu/ok" button for longer than 2 seconds.
  - » The menu appears on the display.
2. Navigate to the *Auto OFF* menu.
3. Use the arrow buttons to select a time and confirm with "menu/ok".
4. Exit the menu with the *Exit* command.
  - » The ready symbol appears on the display.

#### Information

---

Auto OFF cannot be deactivated completely. After 8 hours without being operated at the latest, the appliance switches off.

---

## 7.3 Setting energy save mode

Energy save mode lowers the heating temperature.

If the appliance is not operated for a long time, it automatically switches to energy save mode after a specified time. The *Press any button* prompt then appears on the display. As soon as you follow the request, the energy save mode ends.

The period of time until energy save mode is activated is set in the *Energy save mode* menu.

**Requirement:** The ready symbol appears on the display.

1. Press the "menu/ok" button for longer than 2 seconds.
  - » The menu appears on the display.
2. Navigate to the *Energy save mode* menu.
3. Use the arrow buttons to select a period of time and confirm with "menu/ok".
4. Exit the menu with the *Exit* command.
  - » The ready symbol appears on the display.

### Information

---

Energy save mode cannot be deactivated completely. After 4 hours without being operated at the latest, the appliance switches to energy save mode.

---

## 7.4 Resetting the appliance to the factory settings

The appliance can be reset to the factory settings.

### Information

---

If the appliance is reset to the factory settings, all personal settings are lost.

---

**Requirement:** The ready symbol appears on the display.

1. Press the "menu/ok" button for longer than 2 seconds.
  - » The menu appears on the display.
2. Navigate to the *System > Factory settings* menu.
3. Use the arrow buttons to select *Reset* and confirm with "menu/ok".
  - » The ready symbol appears on the display.

## 7.5 Information on the appliance status

Information on the appliance status can be accessed via the *System > Statistics* menu. Press the "menu/ok" button to exit the menu.

The following table provides an overview of the meaning of the information.

Information	Meaning
<i>Beverages</i>	Number of beverages prepared since starting up.
<i>Descaled</i>	Number of descaling processes performed.
<i>Coffee system cleaned</i>	Number of cleaning processes performed.
<i>Milk system cleaned</i>	Number of cleaning processes performed.
<i>Filter changed</i>	Number of filter changes performed

The progress bars show the number of beverages that can still be prepared until the appliance requests you to perform cleaning, descaling or to change the filter.

### Software version

Information on the installed software version is obtained via the *System > SW Version* menu. Press the "menu/ok" button to exit the menu.



## 7.6 Setting the grinding fineness

The grinding fineness of the coffee powder influences the flavour of the coffee. The grinding fineness has been optimally set prior to delivery. We recommend adjusting the grinding fineness after around 1,000 beverages have been dispensed (after around 1 year) at the earliest.

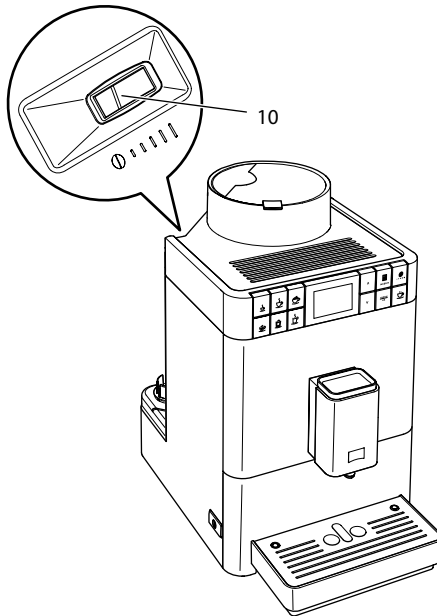


Fig. 16: Lever for setting the grinding fineness

1. Remove the water tank.
  - » The "Grinding fineness adjustment" lever (10) is visible on the housing.
2. Move the lever to the left or right as shown on Fig. 16.
  - To the left = grinding fineness finer
  - To the right = grinding fineness coarser
3. Re-insert the water tank.

### **i** Information

- If the grinding fineness is set finer, the coffee flavour is stronger.
- The grinding fineness is optimally set when the coffee flows evenly out of the outlet and a fine, dense crema appears.

## 8 Care and maintenance

Regular care and maintenance of the appliance ensure the consistent high quality of your beverages.

### 8.1 General cleaning

Clean the appliance regularly. Immediately remove external soiling caused by milk and coffee.

#### ATTENTION

**The use of unsuitable cleaning agents can lead to scratched surfaces.**

- Do not use any abrasive cloths, sponges or cleaning agents.

**Requirement:** The appliance is switched off.

- Clean the outside of the appliance with a soft, damp cloth and normal washing-up liquid.
- Rinse off the drip tray and the coffee grounds container. Use a soft, damp cloth and normal washing up liquid for this.
- Clean the bean container with a soft, dry cloth.
- The coffee grounds container (7), the cup plate (15) and the milk container (without lid, milk hose and riser pipe) can be washed in a dishwasher.

### 8.2 Rinsing the coffee system

During rinsing, the nozzles at the outlet and the internal parts of the coffee system are rinsed. As a result, rinsing water from the interior enters the drip tray.

When switched on and off, the appliance performs automatic rinsing.

Rinsing can also be carried out manually:

**Requirement:** The ready symbol appears on the display.

1. Place a vessel beneath the outlet.
2. Press the "menu/ok" button for longer than 2 seconds.
  - » The menu appears on the display.
3. Navigate to the *Care > Rinsing* menu.
  - » The appliance performs automatic rinsing.
  - » The ready symbol appears on the display.

### 8.3 Removing and cleaning the brewing unit

To avoid damage to the appliance, we recommend cleaning the brewing unit once a week.

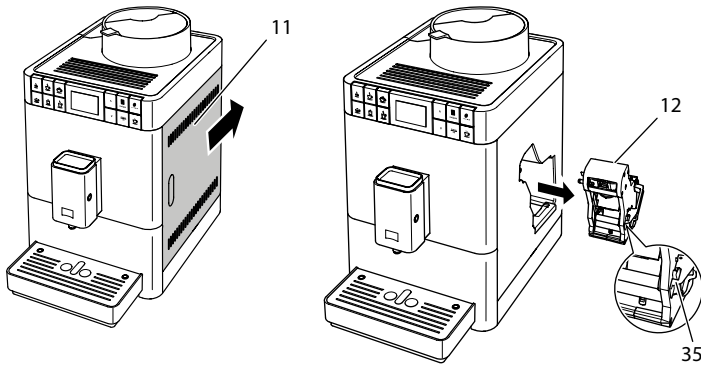


Fig. 17: Removing the brewing unit

**Requirement:** The appliance is switched off.

1. Open the cover (11). To do this, reach into the recess on the right of the appliance and push the cover off backwards. Take off the cover.
2. Press and hold the red lever (35) on the brewing unit handle (12) and turn the handle clockwise until it engages at the stop.
3. Pull the brewing unit out of the appliance by the handle.

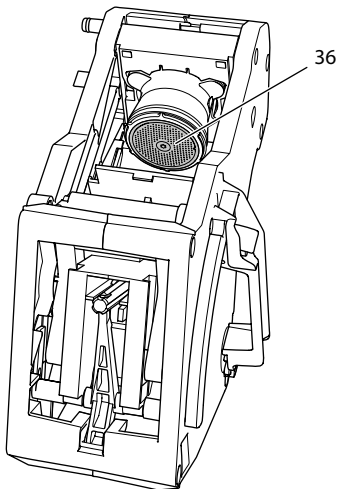


Fig. 18: Cleaning the brewing unit

4. Rinse the brewing unit thoroughly from all sides under running water.
  - » The brewing unit and the sieve (36) are free of coffee remains.
5. Allow the brewing unit to drip dry.
6. Use a soft, dry cloth to remove coffee residues from the surfaces inside the appliance.
7. Insert the brewing unit into the appliance. Press and hold the red lever on the brewing unit handle and turn the handle counter clockwise until it engages at the stop.
8. Close the cover. To do this, insert the cover and move the cover forwards until it engages.

## 8.4 Using the "Easy Cleaning" programme

The milk system is rinsed using the "Easy Cleaning" programme.

Each time after preparing a beverage with milk, the appliance requests you to execute the "Easy Cleaning" programme.

The "Easy Cleaning" programme can also be run manually.

**Requirement:** The ready symbol appears on the display.

1. Place a vessel beneath the outlet.
2. Press the "menu/ok" button for longer than 2 seconds.
  - » The menu appears on the display.
3. Navigate to the *Care > Easy Cleaning* menu.
4. Select *Start* using the arrow buttons and confirm with "menu/ok".
5. Follow the further instructions on the display up to the end of the Easy Cleaning programme.
  - » The ready symbol appears on the display.

## 8.5 Using the "Cleaning milk system" programme

A milk system cleaning agent is required for cleaning the milk system.

To maintain hygiene and avoid damage to the appliance, we recommend carrying out the cleaning programme once a week.

The cleaning programme takes approximately 3 minutes and should not be interrupted.

### ATTENTION

**The use of unsuitable milk system cleaning agents can damage the appliance.**

- Only use the Melitta® PERFECT CLEAN Espresso Machines milk system cleaning agent.

**Requirement:** The ready symbol appears on the display.

1. Place the coffee grounds container (7) or a vessel with a capacity of at least 0.7 litres beneath the outlet.
2. Press the "menu/ok" button for longer than 2 seconds.
  - » The menu appears on the display.
3. Navigate to the *Care > Cleaning milk system* menu.
4. Select *Start* using the arrow buttons and confirm with "menu/ok".
5. Follow the further instructions on the display up to the end of the cleaning programme.
  - » The ready symbol appears on the display.

### Cleaning the milk unit

In addition, we recommend cleaning the milk unit, the milk hose and the milk container regularly (depending on the model).

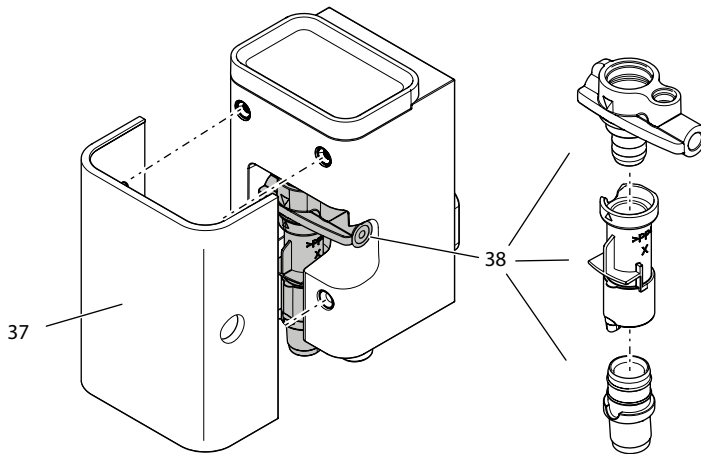


Fig. 19: Removing the milk unit

Proceed as follows to remove the milk unit:

**Requirement:** The milk hose is removed from the appliance.

1. Pull off the cover (37) forwards from the outlet.
2. Press the milk unit (38) downwards and remove it.
3. Dismantle the milk unit into three parts as shown above.
4. Clean the individual parts with warm water. Use the enclosed cleaning brush, a soft, damp cloth and normal washing-up liquid.

Installation is carried out as described in reverse order.

## 8.6 Using the "Cleaning coffee system" programme

The "Cleaning coffee system" programme is used to remove residues and coffee oil residues using fully automatic coffee maker cleaning agents.

To avoid damage to the appliance, we recommend carrying out the cleaning programme every 2 months or as requested by the appliance.

The cleaning programme takes approximately 10 minutes and should not be interrupted.

### **▲ CAUTION**

**Contact with fully automatic coffee maker cleaning agent can lead to eye and skin irritation.**

- Observe the processing instructions on the packaging of the fully automatic coffee maker cleaning agent.

### ATTENTION

**The use of unsuitable fully automatic coffee maker cleaning agent can damage the appliance.**

- Only use the Melitta® PERFECT CLEAN Espresso Machines cleaning tablets.

**Requirement:** The ready symbol appears on the display.

1. Press the "menu/ok" button for longer than 2 seconds.
  - » The menu appears on the display.
2. Navigate to the *Care > Coffee system cleaning* menu.
3. Select *Start* using the arrow buttons and confirm with "menu/ok".
4. Follow the further instructions on the display up to the end of the cleaning programme.
  - » The ready symbol appears on the display.

## 8.7 Using the "Descaling" programme

The "Descaling" programme is used to remove limescale deposits in the interior of the appliance with fully automatic coffee maker descaling agents.

To avoid damage to the appliance, we recommend carrying out the descaling programme every 3 months or as requested by the appliance.

The descaling programme takes approximately 25 minutes and should not be interrupted.

**⚠ CAUTION**

**Contact with fully automatic coffee maker descaling agent can lead to eye and skin irritation.**

- Observe the processing instructions on the packaging of the fully automatic coffee maker descaling agent.

**ATTENTION**

**The use of unsuitable descaling agent can damage the appliance.**

- Only use the Melitta® ANTI CALC Espresso Machines liquid descaling agent.

**ATTENTION**

**A water filter may be damaged if it is screwed in during the descaling programme.**

- Remove the water filter when the appliance requests you to do so.
- Place the water filter into a vessel filled with tap water during the descaling programme.
- The water filter can be reinserted and reused when the descaling programme is complete.

**Requirement:** The ready symbol appears on the display.

1. Press the "menu/ok" button for longer than 2 seconds.
  - » The menu appears on the display.
2. Navigate to the *Care > Descaling* menu.
3. Select *Start* using the arrow buttons and confirm with "menu/ok".
4. Follow the further instructions on the display up to the end of the descaling programme.
  - » The ready symbol appears on the display.

## 8.8 Setting the water hardness

Setting the water hardness regulates how frequently you are requested to descale the appliance. The harder the water, the more frequently the appliance has to be descaled.

**ℹ Information**

The water hardness cannot be set if you use a water filter. The water hardness is automatically set to 1 = *soft* (see section 8.9 *Using a water filter* on page 40).

Determine the water hardness with the enclosed test strip. Observe the instructions on the test strip packaging and in Table *Water hardness range* on page 45.

**Requirement:** The ready symbol appears on the display.

1. Press the "menu/ok" button for longer than 2 seconds.
  - » The menu appears on the display.
2. Navigate to the *Water hardness* menu using the arrow buttons.
3. Use the arrow buttons to select the water hardness range and confirm with "menu/ok".
4. Exit the menu with the *Exit* command.
  - » The ready symbol appears on the display.

## 8.9 Using a water filter

The use of a water filter extends the service life of the appliance and the appliance has to be descaled less frequently. The water filter contained in the scope of delivery filters calcium and other pollutants out of the water.

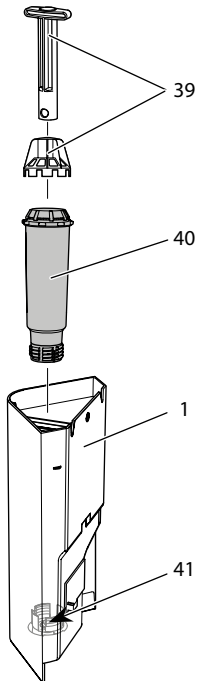


Fig. 20: Screwing/Unscrewing the water filter



The water filter (40) is screwed in and unscrewed from the thread (41) on the base of the water tank (1) using the screwing aid (39).

## Inserting the water filter

### **i** Information

Place the water filter into a vessel filled with fresh tap water for a few minutes before inserting it.

**Requirement:** The ready symbol appears on the display.

1. Press the "menu/ok" button for longer than 2 seconds.
  - » The menu appears on the display.
2. Navigate to the *Care > Filter > Insert filter* menu.
3. Select *Start* using the arrow buttons and confirm with "menu/ok".
4. Follow the further instructions on the display.
  - » The water hardness is automatically set to *Soft*.
- » The ready symbol appears on the display.

## Changing the water filter

Change the water filter when the appliance requests you to do so.

**Requirement:** The ready symbol appears on the display.

1. Press the "menu/ok" button for longer than 2 seconds.
  - » The menu appears on the display.
2. Navigate to the *Care > Filter > Change filter* menu.
3. Select *Start* using the arrow buttons and confirm with "menu/ok".
4. Follow the further instructions on the display.
- » The ready symbol appears on the display.

## Removing the water filter

The water filter should not be left standing dry for a long period of time. When it is not used for a long time, we recommend storing the water filter in a vessel filled with tap water in the refrigerator.

Remove the water filter as follows:

**Requirement:** The ready symbol appears on the display.

1. Press the "menu/ok" button for longer than 2 seconds.
  - » The menu appears on the display.
2. Navigate to the *Care > Filter > Remove filter* menu.
3. Select *Start* using the arrow buttons and confirm with "menu/ok".
4. Follow the further instructions on the display.
  - » The water hardness is automatically reset to the previous setting.
  - » The ready symbol appears on the display.
5. Re-adjust the water hardness if necessary, (see section 8.8 *Setting the water hardness* on page 39).

## 9 Problems

If the actions listed below fail to rectify the problems or other problems not listed here occur, contact our hotline (local rate).

United Kingdom: +44 (0)800/ 0288 002

Problem	Cause	Action
Coffee only emerges in drips from the outlet.	Grinding fineness too fine.	<ul style="list-style-type: none"> <li>▪ Set a coarser grinding fineness (see section 7.6 one page 33).</li> </ul>
	Appliance soiled.	<ul style="list-style-type: none"> <li>▪ Clean the brewing unit (see section 8.3 one page 35).</li> <li>▪ Run the cleaning programme (see section 8.6 one page 38).</li> </ul>
	Appliance is covered inside with limescale.	<ul style="list-style-type: none"> <li>▪ Descale the appliance (see section 8.7 one page 38).</li> </ul>
Coffee does not flow.	Water tank not filled or inserted incorrectly.	<ul style="list-style-type: none"> <li>▪ Fill the water tank and ensure it is positioned correctly (see section 4.5 one page 18).</li> </ul>
	Brewing unit clogged.	<ul style="list-style-type: none"> <li>▪ Clean the brewing unit (see section 8.3 one page 35).</li> </ul>
<i>Fill beans</i> appears on the display although the bean container is full.	Coffee beans do not drop into the grinder.	<ul style="list-style-type: none"> <li>▪ Press a direct key.</li> <li>▪ Tap lightly on the bean container.</li> <li>▪ Clean the bean container.</li> <li>▪ Coffee beans too oily. Use different coffee beans.</li> </ul>

Problem	Cause	Action
Loud grinder noise.	Foreign object in the grinder.	<ul style="list-style-type: none"> <li>Contact the hotline.</li> </ul>
Brewing unit cannot be inserted after removing.	Handle for the locking mechanism of the brewing unit is not in the correct position.	<ul style="list-style-type: none"> <li>Check that the handle for the locking mechanism is correctly engaged (see section 8.3 one page 35).</li> </ul>
	Drive is not in the correct position.	<ul style="list-style-type: none"> <li>Press and hold the "Coffee strength" button. Also press the ON/OFF button. The appliance initialises. Release buttons again.</li> </ul>
<i>System error</i> appears on the display.	Software problem.	<ul style="list-style-type: none"> <li>Switch the appliance off and on again (see section 4.1 one page 14).</li> <li>Contact the hotline.</li> </ul>

## 10 Transport, storage and disposal

### 10.1 Venting the appliance

We recommend venting the appliance when it is not used for a long period, prior to transport and when there is a risk of frost.

During venting, residual water is removed from the appliance.

**Requirement:** The ready symbol appears on the display.

- Place a vessel beneath the outlet.
- Press the "menu/ok" button for longer than 2 seconds.
  - » The menu appears on the display.
- Navigate to the *System > Venting* menu.
- Select *Start* using the arrow buttons and confirm with "menu/ok".
- Follow the further instructions on the display.
  - » The appliance switches off.

### 10.2 Transporting the appliance

#### ATTENTION

**Freezing residual water can damage the appliance.**

- Prevent the appliance from being exposed to temperatures below 0 °C.

#### Information

Transport the appliance in the original packaging. This avoids damage in transit.

Before transporting the appliance, carry out the following activities:

1. Vent the appliance (see section 10.1 *Venting the appliance* on page 43).
2. Empty the drip tray and the coffee grounds container.
3. Empty the water tank.
4. Empty the bean container.
5. Clean the appliance (see section 8.1 *General cleaning* on page 34).
6. Secure loose parts (cup plate, etc.) with suitable adhesive tape.
7. Package the appliance.

### 10.3 Disposing of the appliance



Appliances marked with this symbol are subject to the European Directive 2002/96/EC for WEEE (Waste Electrical and Electronic Equipment).

Electrical appliances do not belong in domestic waste.

- Dispose of the appliance in an environmentally friendly manner via suitable collection systems.

## 11 Technical data

Technical data	
Operating voltage	220 V to 240 V, 50 Hz
Power consumption	Maximum 1450 W
Pump pressure	Static, max. 15 bar
Dimensions	
Width	253 mm
Height	390 mm
Depth	380 mm
Capacity	
Bean container	125 g
Water tank	1.2 l
Quantity of beverage dispensed	25 ml to 220 ml
Weight (empty)	8.5 kg
Ambient conditions	
Temperature	10 °C to 32 °C
Relative humidity	30 % to 80 % (non-condensing)

Water hardness range	°d	°e	°f
Soft	0 to 10	0 to 13	0 to 18
Medium	10 to 15	13 to 19	18 to 27
Hard	15 to 20	19 to 25	27 to 36
Very hard	>20	>25	>36

Factory settings		
Espresso	Beverage quantity	40 ml
	Coffee strength	Strong
	Brewing temperature	Normal
Café Crème	Beverage quantity	120 ml
	Coffee strength	Strong
	Brewing temperature	Normal
Cappuccino	Beverage quantity	130 ml
	Coffee strength	Strong
	Brewing temperature	Normal

Factory settings		
Latte Macchiato	Beverage quantity	190 ml
	Coffee strength	Strong
	Brewing temperature	Normal
Milk	Foam amount	180 ml
	Milk amount	180 ml
Hot water	Beverage quantity	180 ml

# Índice de contenidos

<b>1</b>	<b>Para su seguridad</b> .....	<b>49</b>
1.1	Simbología empleada .....	49
1.2	Utilización conforme a la finalidad prevista .....	50
1.3	Peligro por corriente eléctrica .....	50
1.4	Peligro de sufrir quemaduras y escaldaduras .....	51
1.5	Seguridad general .....	51
<b>2</b>	<b>Descripción del aparato</b> .....	<b>52</b>
2.1	El aparato en resumen .....	52
2.2	El panel de control en resumen .....	54
<b>3</b>	<b>Primeros pasos</b> .....	<b>55</b>
3.1	Desembalar el aparato .....	55
3.2	Comprobar el volumen de suministro .....	55
3.3	Colocar el aparato .....	56
3.4	Conectar el aparato .....	56
3.5	Poner el aparato por primera vez en servicio .....	56
<b>4</b>	<b>Manejo básico</b> .....	<b>58</b>
4.1	Encender y apagar el aparato .....	58
4.2	Manejo del panel de control .....	59
4.3	Navegar en el menú .....	59
4.4	Introducir granos de café en el depósito de granos .....	61
4.5	Llenar agua .....	62
4.6	Ajustar la salida .....	63
4.7	Utilizar leche .....	64
4.8	Vaciar la bandeja recogegotas y el cajón para posos de café .....	66
<b>5</b>	<b>Preparar bebidas</b> .....	<b>67</b>
5.1	Preparar espresso o café crema .....	67
5.2	Preparar capuchino .....	68
5.3	Preparar latte macchiato .....	68
5.4	Preparar espuma de leche o leche caliente .....	69
5.5	Preparar agua caliente .....	69
5.6	Preparar otras especialidades de café con recetas .....	70
5.7	Modificar los ajustes de bebidas antes y durante la preparación .....	72
5.8	Cancelar la preparación de bebidas .....	73
5.9	Preparar dos bebidas al mismo tiempo .....	73
<b>6</b>	<b>Modificar los ajustes de bebidas de forma permanente</b> .....	<b>74</b>
6.1	Modificar los preajustes .....	74

<b>7</b>	<b>Modificar los ajustes básicos .....</b>	<b>75</b>
7.1	Ajustar el idioma .....	75
7.2	Ajustar la desconexión automática .....	75
7.3	Ajustar el modo de ahorro de energía .....	76
7.4	Reponer el aparato a los ajustes de fábrica .....	76
7.5	Información sobre el estado del aparato .....	77
7.6	Ajustar el nivel de molido .....	78
<b>8</b>	<b>Conservación y mantenimiento .....</b>	<b>79</b>
8.1	Limpieza general.....	79
8.2	Enjuagar el sistema de café.....	79
8.3	Desmontar y limpiar el grupo de erogación.....	80
8.4	Utilizar el programa "Easy Cleaning".....	81
8.5	Utilizar el programa "Limpiar sistema de leche".....	82
8.6	Utilizar el programa "Limpiar sistema de café".....	83
8.7	Utilizar el programa "Descalcificación".....	84
8.8	Ajustar la dureza del agua .....	85
8.9	Utilizar un filtro de agua .....	86
<b>9</b>	<b>Fallos .....</b>	<b>89</b>
<b>10</b>	<b>Transporte, almacenamiento y eliminación.....</b>	<b>90</b>
10.1	Purgar el vapor del aparato.....	90
10.2	Transportar el aparato.....	90
10.3	Eliminación del aparato.....	91
<b>11</b>	<b>Datos técnicos .....</b>	<b>91</b>



## Estimada clienta, estimado cliente,

Le agradecemos que se haya decidido por la máquina automática de café Caffeo® Passione®.

Las instrucciones de servicio le ayudarán a conocer la multitud de posibilidades que ofrece el aparato y a experimentar un incomparable placer de café.

Lea detenidamente estas instrucciones de servicio. De este modo evitará daños personales y materiales. Guarde las Instrucciones de servicio a buen recaudo. Si entrega el aparato a otro usuario, entregue también estas instrucciones de servicio.

Melitta no asumirá responsabilidad alguna por daños debidos a la inobservancia de estas instrucciones de servicio.

En caso de que requiera más información o de que tenga preguntas acerca del aparato, rogamos diríjase a Melitta o visite nuestra página Web: [www.melitta.de](http://www.melitta.de)

Le deseamos que disfrute con su aparato.

## 1 Para su seguridad

- CE** El aparato corresponde con las siguientes directivas europeas:
- 2006/95/CE (baja tensión),
  - 2004/108/CE (compatibilidad electromagnética),
  - 2011/65/UE (RoHS),
  - 2009/125/CE (ecodiseño/ErP).

El aparato se ha construido según el estado más actual de la técnica. Aún así existen peligros residuales.

Para evitar peligros es preciso que observe las instrucciones de seguridad. Melitta no asumirá responsabilidad alguna por daños debidos a la inobservancia de las instrucciones de seguridad.

### 1.1 Simbología empleada

Los siguientes símbolos le advierten de los peligros particulares que entraña el uso del aparato o le ofrecen indicaciones útiles.

**▲ ATENCIÓN**

La palabra de advertencia ATENCIÓN le advierte de posibles lesiones.

**PRECAUCIÓN**

La palabra de advertencia **PRECAUCIÓN** le advierte de posibles daños en el aparato.

**ℹ Información**

La palabra de advertencia **Información** le ofrece indicaciones adicionales y consejos para el manejo del aparato.

## 1.2 Utilización conforme a la finalidad prevista

El aparato se ha concebido para la preparación de bebidas de café a partir de granos de café o de café en polvo y para calentar leche y agua.

El aparato está previsto para el uso en el ámbito doméstico.

Cualquier otro uso será considerado no conforme a la finalidad prevista y puede provocar daños personales y materiales. Melitta no asumirá responsabilidad alguna por daños debidos a una utilización no conforme a la finalidad prevista del aparato.

## 1.3 Peligro por corriente eléctrica

En caso de daños en el aparato o en el cable de alimentación, existe peligro de muerte por electrocución.

Observe las siguientes instrucciones de seguridad a fin de evitar peligros por corriente eléctrica.

- No utilice un cable de alimentación dañado.
- Un cable de alimentación dañado solo deberá reemplazarse por el fabricante, su servicio de atención al cliente o su socio de servicio.
- No abra ninguna cubierta fijamente atornillada de la carcasa del aparato.
- Utilice el aparato solamente si se encuentra en perfecto estado técnico.
- Un aparato defectuoso solo deberá repararse por un taller autorizado. No repare el aparato por su cuenta.
- No realice modificaciones en el aparato, sus componentes o sus accesorios.

- No sumerja el aparato en agua.

#### 1.4 Peligro de sufrir quemaduras y escaldaduras

Los líquidos y vapores salientes pueden estar muy calientes. Algunas partes del aparato también se calientan mucho.

Observe las siguientes instrucciones de seguridad a fin de evitar quemaduras y escaldaduras.

- Evite que los líquidos y vapores salientes entren en contacto con la piel.
- No entre en contacto con las toberas de la salida directamente después de haber preparado una bebida. Espere hasta que se hayan enfriado los componentes.

#### 1.5 Seguridad general

Observe las siguientes instrucciones de seguridad a fin de evitar daños personales y materiales.

- No introduzca la mano en el interior del aparato durante el funcionamiento.
- Mantenga el aparato y el cable de alimentación fuera del alcance de niños con menos de 8 años.
- Este aparato solo podrá utilizarse por niños a partir de 8 años o por personas con capacidades físicas, sensorias o intelectuales reducidas o personas sin los conocimientos y la experiencia necesarios, si está presente una persona de vigilancia o si han sido instruidos en el manejo seguro del aparato y entienden los peligros que resulten al respecto.
- No permita que los niños jueguen con el aparato. Los niños menores de 8 años no deberán llevar a cabo una limpieza o un mantenimiento. Los niños a partir de 8 años deberán ser supervisados durante la limpieza y el mantenimiento.
- Separe el aparato de la alimentación de corriente si permanece sin vigilancia durante un período prolongado.

## 2 Descripción del aparato

### 2.1 El aparato en resumen

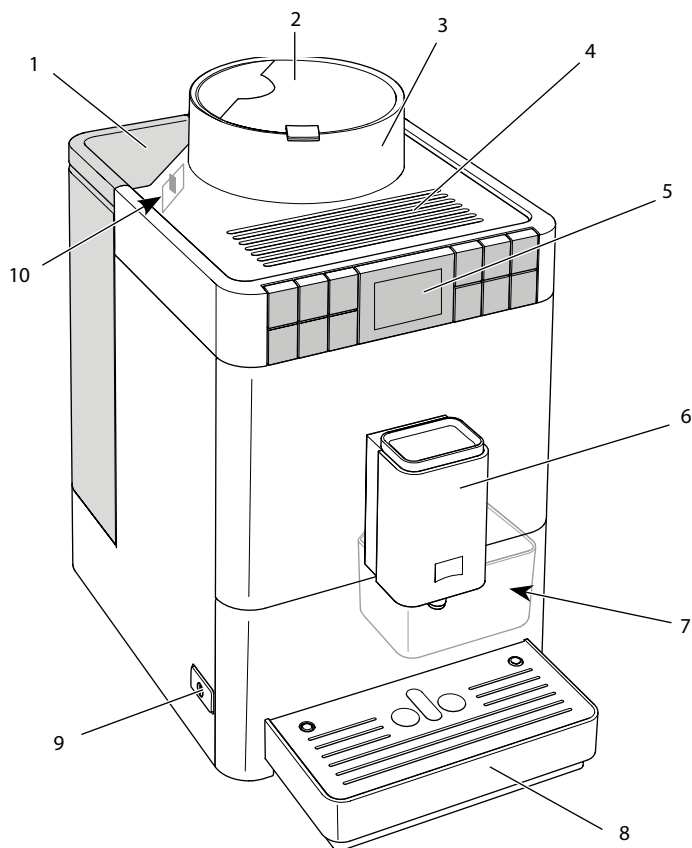


Fig. 1: Lado frontal izquierdo del aparato

- |                               |   |
|-------------------------------|---|
| 1 Depósito de agua con tapa   | 6 Salida ajustable en altura con<br>2 toberas de café, 1 tobera de leche,<br>1 tobera de agua caliente, iluminación<br>de tazas |
| 2 Tapa del depósito de granos | 7 Cajón para posos de café (interior)   |
| 3 Depósito de grano           | 8 Bandeja recoge gotas  |
| 4 Superficie caliente-tazas   | 9 Botón "ON/OFF"  |
| 5 Panel de control            | 10 Palanca "Ajuste del nivel de molido" (en<br>el interior)   |

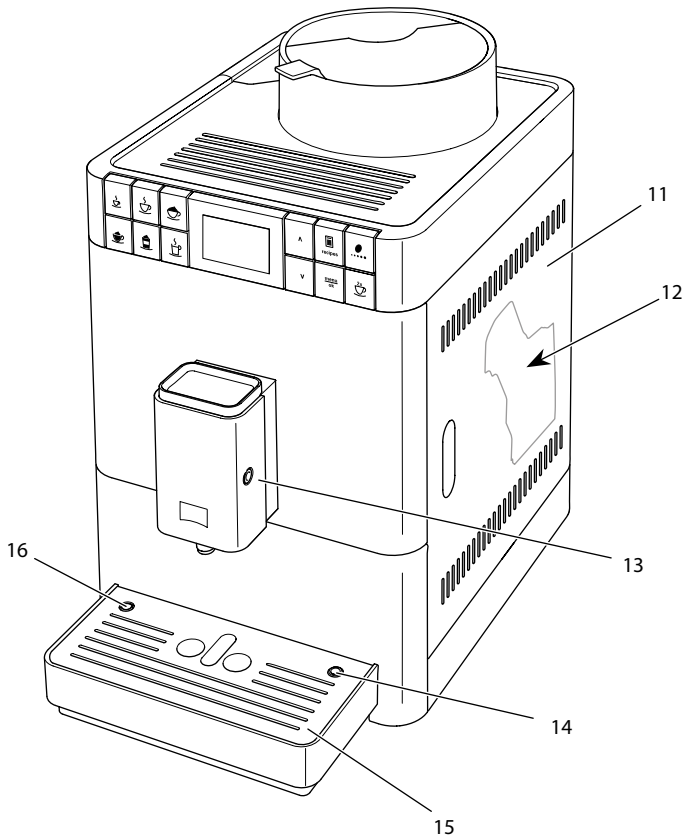


Fig. 2: Lado frontal derecho del aparato

- |  |   |
|--|---|
| 11 Cubierta  | 14 Empalme para el tubo flexible de leche en la bandeja recogegotas |
| 12 Grupo de erogación (interior)                       | 15 Reposatazas  |
| 13 Empalme para el tubo flexible de leche en la salida | 16 Flotador   |

## 2.2 El panel de control en resumen

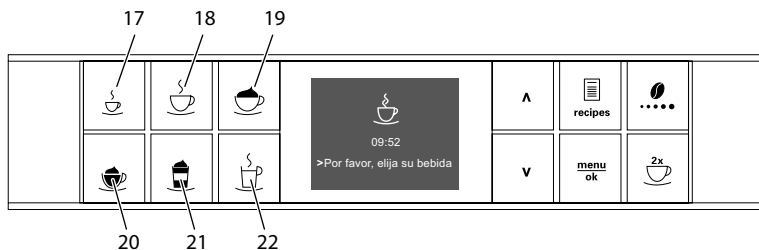


Fig. 3: Botones de dispensado

Pos.	Denominación	Función
17	Espresso	Preparar espresso
18	Café crema	Preparar café crema
19	Capuchino	Preparar capuchino
20	Espuma de leche /leche caliente	Preparar espuma de leche y leche caliente
21	Latte Macchiato	Preparar latte macchiato
22	Agua caliente	Preparar agua caliente

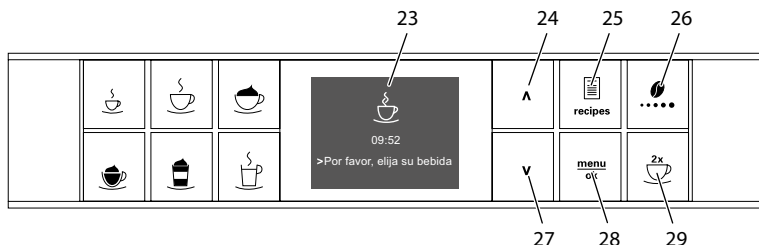


Fig. 4: Pantalla y botones de mando

Pos.	Denominación	Función
23	Pantalla	Indicación de menús y avisos actuales Ejemplo: indicación de disposición de servicio
24	Tecla de flecha hacia arriba	Navegar hacia arriba en el menú o aumentar la cantidad
25	Recetas	Seleccionar recetas y prepararlas
26	Intensidad del café	Ajuste de la intensidad del café
27	Tecla de flecha hacia abajo	Navegar hacia abajo en el menú, o reducir la cantidad
28	menu/ok	Acceder al menú o confirmar entradas
29	dos tazas	Dispensado de dos tazas

## 3 Primeros pasos

En este capítulo se describe cómo preparar su aparato para la utilización.

### 3.1 Desembalar el aparato

Aparte del aparato se han incluido otros accesorios en el embalaje, como por ejemplo ayudas y productos de limpieza.

#### **⚠ ATENCIÓN**

**El contacto con productos de limpieza puede provocar irritaciones en los ojos y la piel.**

- Guarde los productos de limpieza suministrados adjuntos fuera del alcance de los niños.
- Desempaque el aparato. Retire el material de embalaje, las tiras adhesivas y las láminas de protección del aparato.
- Conserve el material de embalaje para el transporte y posibles devoluciones.

#### **i Información**

En el interior del aparato pueden encontrarse restos de café y agua. Esto se debe a la comprobación del funcionamiento perfecto del aparato en fábrica.

### 3.2 Comprobar el volumen de suministro

Compruebe la integridad del volumen de suministro según la lista siguiente. En caso de que falte alguna pieza, diríjase a su distribuidor.

- Elemento auxiliar de enroscado para el filtro de agua,
- tubo flexible de leche largo,
- cepillo de limpieza,
- detergente para máquinas automáticas de café,
- limpiador para el sistema de leche,
- descalcificador para máquinas automáticas de café,
- filtro de agua,
- cinta de prueba para determinar la dureza del agua.

Según el modelo adicionalmente con un

- depósito de leche con tubo flexible de leche corto.

### 3.3 Colocar el aparato

Observe las siguientes indicaciones:

- No coloque el aparato en lugares húmedos.
- Coloque el aparato sobre una superficie estable, plana y seca.
- No coloque el aparato cerca de un fregadero o algo similar.
- No coloque el aparato sobre superficies calientes.
- Mantenga una distancia suficiente de unos 10 cm aprox. con la pared y otros objetos. El espacio libre por encima del aparato debe ser de 20 cm como mínimo.
- Tienda el cable de alimentación de tal modo que no pueda sufrir daños debido a cantos agudos o superficies calientes.

### 3.4 Conectar el aparato

Observe las siguientes indicaciones:

- Asegúrese de que la tensión de alimentación corresponda con la tensión de servicio indicada en los Datos Técnicos (véase la tabla *Datos técnicos en la página 91*).
- Enchufe el aparato solamente a una caja de enchufe con puesta a tierra debidamente instalada. Consulte a un electricista profesional en caso de dudas.
- La caja de enchufe con puesta a tierra debe estar protegida por un fusible de 10 A como mínimo.

### 3.5 Poner el aparato por primera vez en servicio

Durante la primera puesta en servicio podrá ajustar el idioma y la dureza del agua. Podrá cambiar estos ajustes más adelante (véase el capítulo 7 *Modificar los ajustes básicos en la página 75* y el capítulo 8.8 *Ajustar la dureza del agua en la página 85*).

Utilice la cinta de prueba adjunta para determinar la dureza del agua. Observe las instrucciones sobre el embalaje de la cinta de prueba y la tabla *Rango de dureza del agua en la página 91*.

#### Información

- Recomendamos desechar las primeras dos tazas de café después de la primera puesta en servicio.
- En caso de que quiera utilizar un filtro de agua, no deberá montarlo hasta después de la primera puesta en servicio.



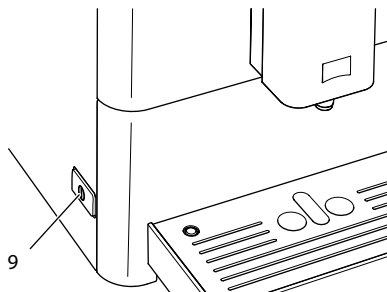


Fig. 5: Botón "ON/OFF"

**Requisito:** El aparato está colocado y conectado.

1. Coloque un recipiente debajo de la salida.
2. Pulse el botón "ON/OFF".
  - » Se visualiza la pantalla de bienvenida.
  - » En la pantalla aparece el requerimiento de realizar los ajustes: *Por favor, realizar ajustes.*
3. Confirme pulsando "menu/ok".
  - » Aparece el menú *Idioma*.
4. Seleccione su idioma con las teclas de flecha. Confirme pulsando "menu/ok".
  - » Aparece el menú *Dureza del agua*.
5. Seleccione con las teclas de flecha el rango de dureza del agua determinado o confirme el valor preajustado con "menu/ok".
  - » Aparece el requerimiento *Por favor, llenar e insertar depósito de agua*.
6. Retire el depósito de agua. Enjuague el depósito de agua con agua clara. Llene el depósito de agua con agua fresca y vuelva a introducirlo.
  - » El aparato se calienta y realiza un enjuagado automático.
  - » En la pantalla aparece la indicación de disposición de servicio.
7. Introduzca granos de café en el depósito de granos. Lea el capítulo 4.4 *Introducir granos de café en el depósito de granos en la página 61* al respecto.
  - » En caso necesario ahora podrá colocar un filtro de agua (véase el capítulo 8.9 *Utilizar un filtro de agua en la página 86*).

## 4 Manejo básico

En este capítulo se describen los pasos básicos de manejo para el uso diario del aparato.

### 4.1 Encender y apagar el aparato

Antes de poner el aparato en marcha con motivo de la primera puesta en servicio deberá leer el capítulo 3.5 *Poner el aparato por primera vez en servicio* en la página 56.

#### 📌 Información

- Al encenderlo y apagarlo, el aparato realiza un enjuagado automático.
- Durante el enjuagado también se conduce agua de enjuagar a la bandeja recogegotas.

#### Encender el aparato

1. Coloque un recipiente debajo de la salida.
2. Pulse el botón "ON/OFF" (9).
  - » Se visualiza la pantalla de bienvenida.
  - » El aparato se calienta y realiza un enjuagado automático.
- » En la pantalla aparece la indicación de disposición de servicio.

#### 📌 Información

Si el aparato solo ha estado desconectado brevemente, no se realizará un enjuagado automático después de encenderlo.

#### Apagar el aparato

1. Coloque un recipiente debajo de la salida.
2. Pulse el botón "ON/OFF" (9).
  - » El aparato realiza un enjuagado automático.
- » El aparato se apaga.

#### 📌 Información

- El aparato se apaga automáticamente si no se utiliza durante un tiempo prolongado. En este caso también realiza un enjuagado automático.
- En el menú Auto OFF podrá ajustar la hora de desconexión, véase el capítulo 7.2 *Ajustar la desconexión automática* en la página 75.
- Si no se ha preparado ninguna bebida desde que se encendió el aparato o si está vacío el depósito de agua, no se realizará ningún enjuagado.

## 4.2 Manejo del panel de control

A través del panel de control se puede acceder a los programas más importantes.

Pulse el botón requerido. Realice las siguientes operaciones para manejar los botones.



### Pulsar brevemente

Pulse un botón de mando brevemente para seleccionar un programa.



### Pulsar prolongadamente

Pulse un botón de mando durante más de 2 segundos para seleccionar un eventual segundo programa.

## 4.3 Navegar en el menú

Para el ajuste individual de sus bebidas y para realizar el mantenimiento y la conservación del aparato deberá acceder al menú en la pantalla y navegar en el menú.

Siga las indicaciones visualizadas en la pantalla.

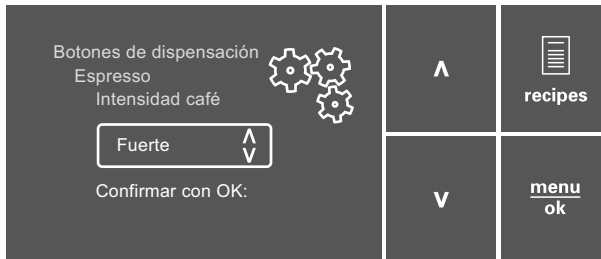


Fig. 6: Pantalla (ejemplo) y botones de mando para la navegación

Para navegar en el menú podrá optar por las siguientes posibilidades.

### Acceder al menú o confirmar la selección



Pulse el botón "menu/ok" durante más de 2 segundos para acceder al menú.

Pulse el botón "menu/ok" brevemente para confirmar su selección.

## Navegar en el menú o modificar el valor numérico

- V
^
 Pulse las teclas de flecha para navegar en el menú hacia arriba o hacia abajo.
- Pulse las teclas de flecha para aumentar o reducir un valor numérico.
- Mantenga la tecla de flecha pulsada para acceder rápidamente a la posición requerida o al valor numérico requerido.

## Salir del menú

- Exit
↔
 Seleccione la instrucción *Exit* con las teclas de flecha y confirme con "menu/ok" para salir de un menú.
- Para salir de los submenús que solo ofrecen información y no permiten realizar ningún ajuste pulse "menu/ok".

## Acceder a los submenús

Algunos programas del aparato solo podrán activarse accediendo de forma sucesiva a varios submenús.

El acceso a los submenús siempre es parecido. A modo de ejemplo aquí se describirá cómo navegar hasta el programa *Descalcificación*.

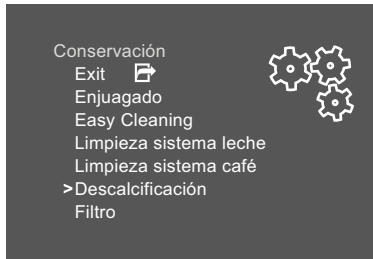


Fig. 7: Navegar hasta el programa *Descalcificación*

1. Pulse el botón "menu/ok" durante 2 segundos.
  - » El menú aparece en la pantalla.
2. Seleccione *Conservación* con las teclas de flecha y confirme con "menu/ok".
3. Seleccione *Descalcificación* con las teclas de flecha y confirme con "menu/ok".

En estas instrucciones de servicio, la selección de un programa siempre se visualiza de forma abreviada:

- Navegue hasta el menú *Conservación > Descalcificación*.

## 4.4 Introducir granos de café en el depósito de granos

Los granos de café tostados pierden su aroma. Introduzca solo la cantidad de granos de café en el depósito de granos que vaya a consumir en un periodo de 3 o 4 días.

### PRECAUCIÓN

**El uso de tipos de café inadecuados puede provocar adherencias en el mecanismo de molido.**

- No utilice granos de café liofilizados o caramelizados.
- No utilice café en polvo o productos instantáneos.

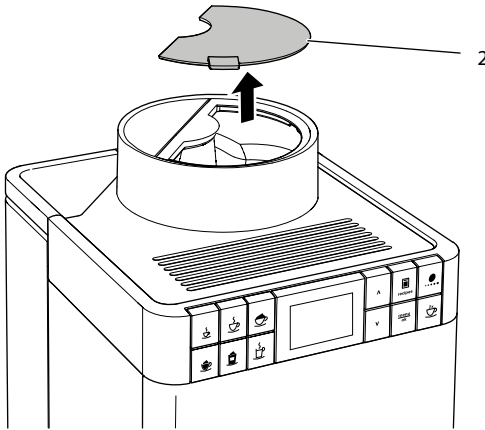


Fig. 8: Abrir la tapa del depósito de granos

1. Abra la tapa (2) del depósito de granos.
2. Introduzca granos de café en el depósito de granos.
3. Cierre la tapa del depósito de granos.

## 4.5 Llenar agua

Para obtener el mejor café utilice exclusivamente agua fría fresca sin gas. Cambie el agua a diario.

### Información

La calidad del agua influye de forma decisiva en el sabor del café. Por tanto debería utilizar un filtro de agua (véase el capítulo 8.8 *Ajustar la dureza del agua* en la página 85 y el capítulo 8.9 *Utilizar un filtro de agua* en la página 86).

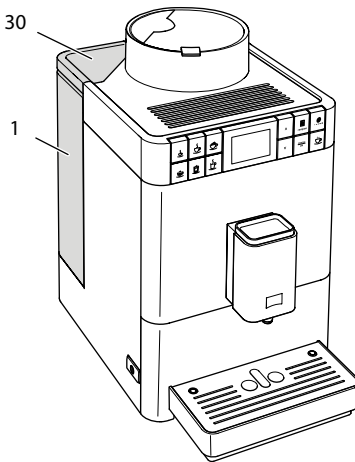


Fig. 9: Depósito de agua

1. Abra la tapa del depósito de agua (30) y extraiga el depósito de agua (1) del aparato tirando del asa hacia arriba.
2. Llene el depósito de agua con agua.
3. Inserte el depósito de agua desde arriba en el aparato y cierre la tapa.

## 4.6 Ajustar la salida

La salida (6) es ajustable en altura. Ajuste una distancia lo más mínima posible entre la salida y el recipiente. Deslice la salida hacia arriba o hacia abajo en función del tamaño del recipiente.

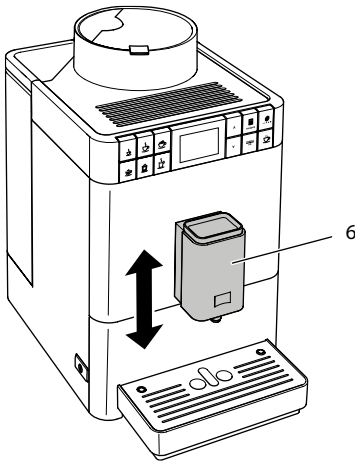


Fig. 10: Ajustar la salida

## 4.7 Utilizar leche

Para obtener el mejor café debería utilizar exclusivamente leche fría. Según la ejecución del modelo podrá utilizar el tubo flexible de leche largo o el depósito de leche suministrado adjunto.

### Conectar el depósito de leche

El depósito de leche no está incluido en todos los modelos de la Caffeo® Passione®.

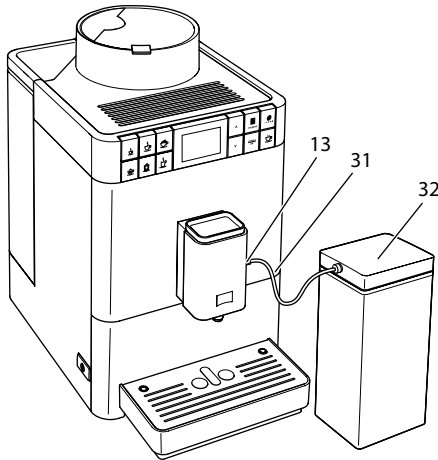


Fig. 11: Depósito de leche conectado

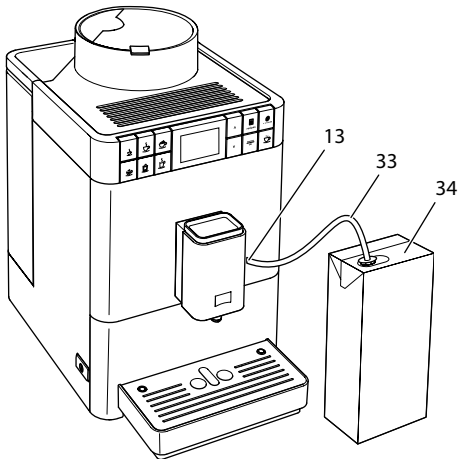
1. Conecte el tubo flexible de leche (31) al empalme junto a la salida (13).
2. Conecte el extremo libre del tubo flexible de leche con el depósito de leche (32).

#### **i** Información

Guarde el depósito de leche lleno en el frigorífico.



## Conectar un envase de leche



*Fig. 12: Envase de leche comercial conectado*

1. Conecte el tubo flexible de leche largo (33) al empalme junto a la salida (13).
2. Introduzca el extremo libre del tubo flexible de leche en un envase de leche comercial (34).

## 4.8 Vaciar la bandeja recogegotas y el cajón para posos de café

Después de haber preparado varias bebidas, es posible que la bandeja recogegotas (8) y el cajón para posos de café (7) estén llenos. El flotador saliente (16) indica el nivel de relleno de la bandeja recogegotas.

El aparato también indica al cabo de un número de extracciones determinado que la bandeja recogegotas y el cajón para poso de café están llenos.

Vacíe siempre la bandeja recogegotas y el cajón para posos de café.

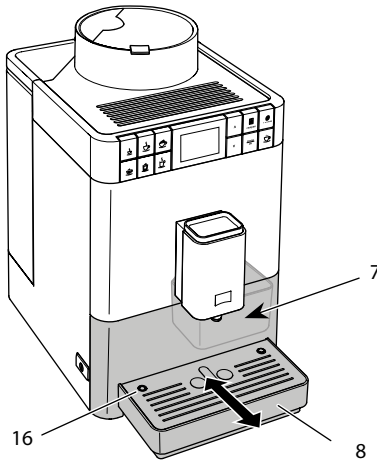


Fig. 13: Vaciar la bandeja recogegotas y el cajón para posos de café

1. Extraiga la bandeja recogegotas (8) del aparato tirando hacia delante.
2. Extraiga el cajón para posos de café (7) y vacíelo.
3. Vacíe la bandeja recogegotas.
4. Inserte el cajón para posos de café.
5. Introduzca la bandeja recogegotas en el aparato hasta el tope.

### 📌 Información

Si vacía la bandeja recogegotas y el cajón para posos de café mientras el aparato está apagado, la máquina no registrará este proceso. Por consiguiente, puede que se le requiera vaciar los recipientes aunque la bandeja recogegotas y el cajón para posos de café aún no estén llenos.

## 5 Preparar bebidas

Existen tres posibilidades para preparar bebidas:

- Servicio estándar como se describe a continuación
- Selección y preparación de una receta (véase el capítulo 5.6 *Preparar otras especialidades de café con recetas* en la página 70).

### Información

- Es posible modificar los preajustes para el servicio estándar o para una receta de forma permanente (véase el capítulo 6.1 *Modificar los preajustes* en la página 74).

Tenga en cuenta:

- El depósito de agua siempre debería contener suficiente agua. El aparato le requerirá rellenar agua si el nivel de relleno es insuficiente.
- El depósito de granos también debería contener siempre suficientes granos de café. El aparato interrumpe la preparación de la bebida de café cuando ya no quedan granos de café.
- El aparato no le indicará la falta de leche.
- Los recipientes para las bebidas deben tener un tamaño suficiente (véase la tabla *Ajustes de fábrica en la página 92*).

### 5.1 Preparar espresso o café crema



**Requisito:** El display visualiza la indicación de disposición de servicio.



1. Coloque un recipiente debajo de la salida.
2. Pulse el botón de dispensado "Espresso" o "Café crema".
  - » Se inician el proceso de molido y el dispensado de bebida.
  - » El dispensado de bebida termina de forma automática.
3. Retire el recipiente.
  - » En la pantalla aparece la indicación de disposición de servicio.

## 5.2 Preparar capuchino



**Requisitos:** La pantalla visualiza la indicación de disposición de servicio y se ha conectado la leche.

1. Coloque un recipiente debajo de la salida.
2. Pulse el botón de dispensado "Capuchino".
  - » Se inician el proceso de molido y el dispensado de café.
  - » El dispensado de café termina de forma automática.
  - » Comienza el dispensado de leche.
  - » El dispensado de bebida termina de forma automática.
3. Retire el recipiente.
  - » En la pantalla aparece *¿Easy Cleaning? (OK para inicio)*.
4. Ahora podrá ejecutar el programa "Easy Cleaning" o seguir preparando otras bebidas.
  - a) Ejecute el programa "Easy Cleaning". Para ello siga las instrucciones de la pantalla. Encontrará información al respecto en el capítulo 8.4 *Utilizar el programa "Easy Cleaning"* en la página 81.
  - b) Siga preparando bebidas y ejecute el programa Easy Cleaning (limpieza fácil) más adelante.
  - » En la pantalla aparece la indicación de disposición de servicio.

## 5.3 Preparar latte macchiato



**Requisitos:** La pantalla visualiza la indicación de disposición de servicio y se ha conectado la leche.

1. Coloque un recipiente debajo de la salida.
2. Pulse el botón "Latte Macchiato".
  - » Comienza el dispensado de leche.
  - » El dispensado de leche termina de forma automática.
  - » Se inician el proceso de molido y el dispensado de café.
  - » El dispensado de bebida termina de forma automática.
3. Retire el recipiente.
  - » En la pantalla aparece *¿Easy Cleaning? (OK para inicio)*.
4. Ahora podrá ejecutar el programa "Easy Cleaning" o seguir preparando otras bebidas.
  - a) Ejecute el programa "Easy Cleaning". Para ello siga las instrucciones de la pantalla. Encontrará información al respecto en el capítulo 8.4 *Utilizar el programa "Easy Cleaning"* en la página 81.
  - b) Siga preparando bebidas y ejecute el programa Easy Cleaning (limpieza fácil) más adelante.
  - » En la pantalla aparece la indicación de disposición de servicio.

## 5.4 Preparar espuma de leche o leche caliente



La preparación de espuma de leche y de leche caliente es similar.

**Requisitos:** La pantalla visualiza la indicación de disposición de servicio y se ha conectado la leche.

1. Coloque un recipiente debajo de la salida.
2. Pulse el botón de dispensado "Espuma de leche/leche caliente".
  - a) Espuma de leche = pulsar el botón brevemente
  - b) Leche caliente = pulsar el botón prolongadamente (2 segundos)
    - » Comienza el dispensado de leche.
    - » El dispensado de bebida termina de forma automática.
3. Retire el recipiente.
  - » En la pantalla aparece *¿Easy Cleaning? (OK para inicio)*.
4. Ahora podrá ejecutar el programa "Easy Cleaning" o seguir preparando otras bebidas.
  - a) Ejecute el programa "Easy Cleaning". Para ello siga las instrucciones de la pantalla. Encontrará información al respecto en el capítulo 8.4 *Utilizar el programa "Easy Cleaning"* en la página 81.
  - b) Siga preparando bebidas y ejecute el programa Easy Cleaning (limpieza fácil) más adelante.
    - » En la pantalla aparece la indicación de disposición de servicio.

## 5.5 Preparar agua caliente



**Requisito:** El display visualiza la indicación de disposición de servicio.

1. Coloque un recipiente debajo de la salida.
2. Pulse el botón de dispensado "Agua caliente".
  - » Comienza el dispensado de agua caliente.
  - » El dispensado de bebida termina de forma automática.
3. Retire el recipiente.
  - » En la pantalla aparece la indicación de disposición de servicio.

## 5.6 Preparar otras especialidades de café con recetas



Además del servicio estándar podrá seleccionar otras especialidades de café en el menú *Recetas*. Las siguientes especialidades de café están a su disposición:

Especialidades de café sin leche:

- ristretto,
- largo,
- americano.

Especialidades de café con leche:

- espresso macchiato,
- caffè latte,
- café au lait.

### Preparar un ristretto, un largo o un americano

La preparación de ristretto, largo y americano es muy parecida. A modo de ejemplo aquí se describirá la preparación de un ristretto.

**Requisito:** El display visualiza la indicación de disposición de servicio.

1. Coloque un recipiente debajo de la salida.
2. Pulse el botón de mando "Recetas".
  - » El menú *Recetas* aparece en la pantalla.
3. Seleccione *Ristretto* con las teclas de flecha.
4. Confirme su selección pulsando "menu/ok".
  - » Se inician el proceso de molido y el dispensado de bebida.
  - » El dispensado de bebida termina de forma automática.
5. Retire el recipiente.
  - » En la pantalla aparece la indicación de disposición de servicio.

### Preparar espresso macchiato, caffè latte o café au lait

La preparación de espresso macchiato, caffè latte y café au lait es muy parecida. A modo de ejemplo aquí se describirá la preparación de un espresso macchiato.

**Requisitos:** La pantalla visualiza la indicación de disposición de servicio y se ha conectado la leche.

1. Coloque un recipiente debajo de la salida.
2. Pulse el botón de mando "Recetas".
  - » El menú *Recetas* aparece en la pantalla.
3. Seleccione *Espresso macchiato* con las teclas de flecha.

4. Confirme su selección pulsando "menu/ok".
  - » Se inician el proceso de molido y el dispensado de café.
  - » El dispensado de café termina de forma automática.
  - » Comienza el dispensado de leche.
  - » El dispensado de bebida termina de forma automática.
5. Retire el recipiente.
  - » En la pantalla aparece *¿Easy Cleaning? (OK para inicio)*.
6. Ahora podrá ejecutar el programa "Easy Cleaning" o seguir preparando otras bebidas.
  - a) Ejecute el programa "Easy Cleaning". Para ello siga las instrucciones de la pantalla. Encontrará información al respecto en el capítulo 8.4 *Utilizar el programa "Easy Cleaning"* en la página 81.
  - b) Siga preparando bebidas y ejecute el programa Easy Cleaning (limpieza fácil) más adelante.
  - » En la pantalla aparece la indicación de disposición de servicio.

## 5.7 Modificar los ajustes de bebidas antes y durante la preparación

Tiene la posibilidad de modificar los ajustes de bebidas antes y durante la preparación de bebidas.

### Información

Los siguientes ajustes solo se aplicarán a la bebida que se está preparando.

### Modificar los ajustes de bebidas antes de la preparación

Antes de elegir una bebida podrá modificar la cantidad total de la bebida y la intensidad del café.



- Ajuste una cantidad de bebida con las teclas de flecha antes de elegir una bebida.
- Ajuste la intensidad del café con el botón de mando "Intensidad del café" antes de elegir una bebida.

### Información

- En la preparación de bebidas mezcladas se divide la cantidad total de la bebida conforme a una relación predeterminada. Esto se refiere a bebidas de café mezcladas con leche o agua caliente.
- Si no prepara ninguna bebida dentro de un intervalo de 1 minuto, el aparato volverá a los ajustes estándar.

### Modificar los ajustes de bebidas durante la preparación

Tiene la posibilidad de modificar la cantidad de la bebida y la intensidad del café durante la preparación de bebidas.



- Ajuste con las teclas de flecha la correspondiente cantidad de bebida mientras se dispensa una bebida.
- Ajuste la intensidad del café con el botón de mando "Intensidad del café" durante el proceso de molido.



## 5.8 Cancelar la preparación de bebidas

En caso de que desee cancelar una preparación de bebida antes de tiempo, pulse cualquier botón de dispensado.

## 5.9 Preparar dos bebidas al mismo tiempo



El botón de mando "dos tazas" permite preparar dos bebidas al mismo tiempo. El dispensado de dos tazas solo es posible en el dispensado de café puro como, por ejemplo, espresso, café crema y ristretto. No es posible activar el dispensado de dos tazas al preparar agua caliente, leche caliente o cualquier bebida mezclada.

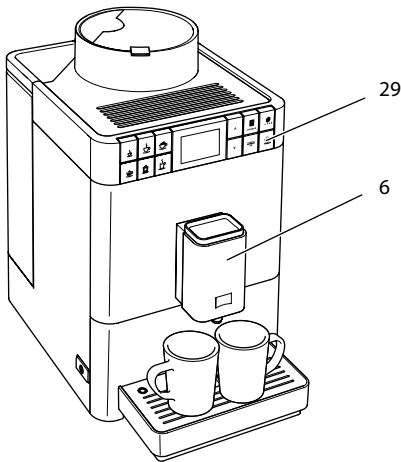


Fig. 14: *Dispensado de dos tazas*

1. Coloque dos recipientes debajo de la salida (6).
2. Pulse el botón de mando "dos tazas" (29).
3. Siga procediendo tal y como se indica para la correspondiente preparación de bebida.

### **i** Información

- El ajuste solo tendrá efecto para una única preparación de bebida.
- Si no prepara ninguna bebida dentro de un intervalo de 1 minuto, el aparato volverá al dispensado de una sola taza.

## 6 Modificar los ajustes de bebidas de forma permanente

El aparato le ofrece otras posibilidades para preparar especialidades de café. Puede utilizar recetas preajustadas o modificar los ajustes de bebidas de forma permanente.

### 6.1 Modificar los preajustes

En función de la bebida podrá modificar los siguientes preajustes:

- **cantidad de café:** de 25 ml a 220 ml,
- **cantidad de leche o de espuma de leche:** de 25 ml a 220 ml,
- **cantidad de agua caliente:** de 25 ml a 220 ml,
- **intensidad del café:** muy suave, suave, normal, fuerte, muy fuerte
- **temperatura:** baja, normal, alta

#### Información

Los preajustes modificados permanecerán activos hasta que se vuelvan a modificar.

La modificación de los ajustes de bebidas es parecida para todas las bebidas. A modo de ejemplo aquí se describirá cómo modificar la intensidad del café para un espresso.



Fig. 15: Ajustar la intensidad del café

**Requisito:** El display visualiza la indicación de disposición de servicio.

1. Pulse el botón de mando "menu/ok" durante más de 2 segundos.
  - » El menú aparece en la pantalla.
2. Navegue hasta el menú *Botones de dispensado > Espresso > Intensidad del café*.
3. Seleccione la intensidad del café deseada con las teclas de flecha y confirme con "menu/ok".

4. Seleccione la instrucción *Exit* repetidas veces para salir del menú.
  - » En la pantalla aparece la indicación de disposición de servicio.
  - » Las próximas veces que prepare un espresso se utilizará la intensidad de café seleccionada.

## 7 Modificar los ajustes básicos

En el siguiente capítulo se describen los pasos necesarios para modificar los ajustes básicos del aparato.

### 7.1 Ajustar el idioma

Tiene la posibilidad de ajustar el idioma de los textos visualizados.

**Requisito:** El display visualiza la indicación de disposición de servicio.

1. Pulse el botón de mando "menu/ok" durante más de 2 segundos.
  - » El menú aparece en la pantalla.
2. Navegue hasta el menú *Idioma*.
3. Seleccione un idioma con las teclas de flecha y confirme con "menu/ok".
4. Seleccione la instrucción *Exit* para salir del menú.
  - » En la pantalla aparece la indicación de disposición de servicio.

### 7.2 Ajustar la desconexión automática

Si no utiliza el aparato durante un tiempo prolongado se apagará automáticamente al cabo de un intervalo predeterminado. Podrá ajustar este intervalo en el menú Auto OFF.

#### Ajustar el intervalo para la desconexión automática

**Requisito:** El display visualiza la indicación de disposición de servicio.

1. Pulse el botón de mando "menu/ok" durante más de 2 segundos.
  - » El menú aparece en la pantalla.
2. Navegue hasta el menú *Auto OFF*.
3. Seleccione un intervalo con las teclas de flecha y confirme con "menu/ok".
4. Seleccione la instrucción *Exit* para salir del menú.
  - » En la pantalla aparece la indicación de disposición de servicio.

#### Información

La desconexión automática no podrá desactivarse por completo. El aparato se apagará al cabo de un máximo de 8 horas sin utilizarlo.

## 7.3 Ajustar el modo de ahorro de energía

El modo de ahorro de energía provoca el descenso de la temperatura de calentamiento.

Si no utiliza el aparato durante un tiempo prolongado cambiará automáticamente al modo de ahorro de energía al cabo de un intervalo predeterminado. A continuación aparecerá en la pantalla el requerimiento *Pulsar cualquier botón*. En cuanto cumpla con el requerimiento, finalizará el modo de ahorro de energía.

En el menú *Modo de ahorro de energía* podrá ajustar el intervalo hasta que se activa el modo de ahorro de energía.

**Requisito:** El display visualiza la indicación de disposición de servicio.

1. Pulse el botón de mando "menu/ok" durante más de 2 segundos.
    - » El menú aparece en la pantalla.
  2. Navegue hasta el menú *Modo de ahorro de energía*.
  3. Seleccione un intervalo con las teclas de flecha y confirme con "menu/ok".
  4. Seleccione la instrucción *Exit* para salir del menú.
- » En la pantalla aparece la indicación de disposición de servicio.

### Información

El modo de ahorro de energía no podrá desactivarse por completo. El aparato se cambiará al modo de ahorro de energía al cabo de un máximo de 4 horas sin utilizarlo.

## 7.4 Reponer el aparato a los ajustes de fábrica

Tiene la posibilidad de reponer el aparato a los ajustes de fábrica.

### Información

Si repone el aparato a los ajustes de fábrica se perderán todos los ajustes personales.

**Requisito:** El display visualiza la indicación de disposición de servicio.

1. Pulse el botón de mando "menu/ok" durante más de 2 segundos.
    - » El menú aparece en la pantalla.
  2. Navegue hasta el menú *Sistema > Ajustes de fábrica*.
  3. Seleccione *Reset* con las teclas de flecha y confirme con "menu/ok".
- » En la pantalla aparece la indicación de disposición de servicio.

## 7.5 Información sobre el estado del aparato

Podrá acceder a la información sobre el estado del aparato entrando en el menú *Sistema > Estadística*. Pulse el botón "menu/ok" para salir del menú.

La siguiente tabla le ofrece un resumen sobre el significado de la información ofrecida.

Información	Significado
<i>Total dispensados</i>	Cantidad de bebidas que se han preparado desde la puesta en servicio.
<i>Descalcificaciones</i>	Número de descalcificaciones realizadas.
<i>Sistema de café limpio</i>	Número de limpiezas realizadas.
<i>Sistema de leche limpio</i>	Número de limpiezas realizadas.
<i>Filtro cambiado</i>	Número de cambios de filtro realizados.

Las barras de progreso indican el número de bebidas que aún se pueden preparar hasta que el aparato visualice el requerimiento de limpieza, descalcificación o cambio de filtro.

### Versión de software

Accediendo al menú *Sistema > Versión de SW* podrá obtener información sobre la versión de software instalada. Pulse el botón "menu/ok" para salir del menú.

## 7.6 Ajustar el nivel de molido

El nivel de molido del café en polvo influye en el sabor del café. El nivel de molido se ha ajustado de forma óptima antes de la entrega. Recomendamos ajustar el nivel de molido como muy pronto al cabo de 1000 cafés dispensados (1 año aprox.)

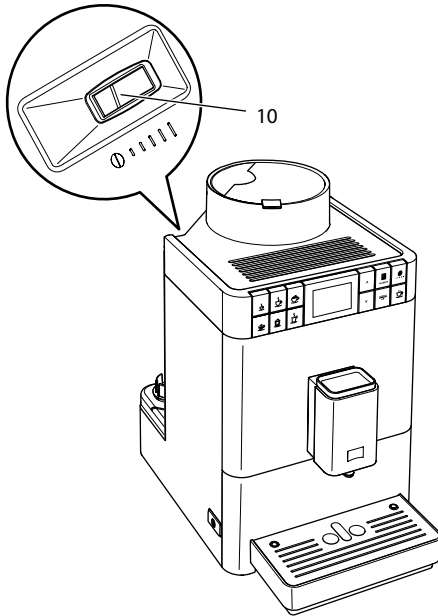


Fig. 16: Palanca para ajustar del nivel de molido

1. Retire el depósito de agua.
  - » En la carcasa aparece la palanca "Ajuste de nivel de molido" (10).
2. Mueva la palanca hacia la izquierda o derecha, como se muestra en Fig. 16.
  - Hacia la izquierda = nivel de molido más fino
  - Hacia la derecha = nivel de molido más grueso
3. Vuelva a colocar el depósito de agua en su sitio.

### Información

- Si ajusta un nivel de molido más fino, el café será más intenso.
- El nivel de molido estará ajustado de forma óptima, cuando el café fluya homogéneamente de la salida y se forme una crema fina y densa.

## 8 Conservación y mantenimiento

Realizando trabajos de conservación y mantenimiento con regularidad podrá garantizar una constante calidad elevada de sus bebidas.

### 8.1 Limpieza general

Limpie el aparato con regularidad. Elimine los restos visibles de leche y café de inmediato.

#### PRECAUCIÓN

**El uso de limpiadores no apropiados puede rayar las superficies.**

- No utilice paños, esponjas o detergentes abrasivos.

**Requisito:** El aparato está desconectado.

- Limpie la parte exterior del aparato con un paño blando humedecido y un detergente lavavajillas de uso corriente.
- Enjuague la bandeja recogegotas y el cajón para posos de café. Para ello, utilice un paño blando humedecido y un detergente lavavajillas de uso corriente.
- Limpie el depósito de granos con un paño blando seco.
- El cajón para posos de café (7), el reposatazas (15) y el depósito de leche (sin tapa, tubo flexible de leche y tubo elevador) son adecuados para el lavavajillas.

### 8.2 Enjuagar el sistema de café

En el proceso de enjuagado se enjuagan las toberas de la salida y las partes interiores del sistema de café. Por consiguiente también llega a parar agua de enjuagar a la bandeja recogegotas.

Al encenderlo y apagarlo, el aparato realiza un enjuagado automático.

También podrá realizar un enjuagado manual.

**Requisito:** El display visualiza la indicación de disposición de servicio.

1. Coloque un recipiente debajo de la salida.
  2. Pulse el botón de mando "menu/ok" durante más de 2 segundos.
    - » El menú aparece en la pantalla.
  3. Navegue hasta el menú *Conservación > Enjuagado*.
    - » El aparato realiza un enjuagado automático.
- » En la pantalla aparece la indicación de disposición de servicio.

### 8.3 Desmontar y limpiar el grupo de erogación

A fin de evitar daños en el aparato recomendamos limpiar el grupo de erogación una vez a la semana.

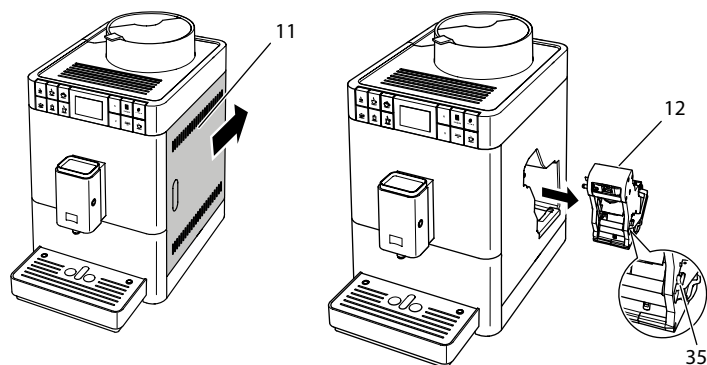


Fig. 17: Retirar el grupo de erogación

**Requisito:** El aparato está desconectado.

1. Abra la cubierta (11). Para ello agarre la cubierta por el compartimento del lateral derecho del aparato y tire de la cubierta hacia arriba. Retire la cubierta.
2. Pulse y mantenga la palanca roja (35) junto al asa del grupo de erogación (12) y gire el asa en el sentido de las agujas del reloj hasta que se engatille en el tope.



3. Extraiga el grupo de erogación del aparato.

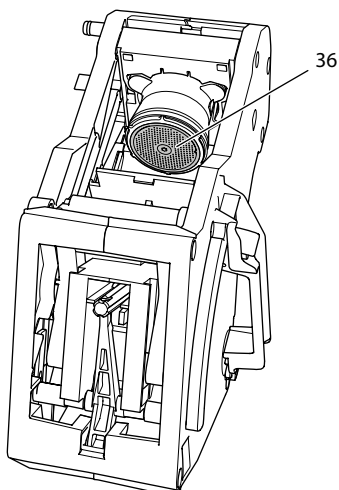


Fig. 18: Limpiar el grupo de erogación

4. Enjuague el grupo de erogación debajo de un chorro de agua corriente por todos los lados.
  - » El grupo de erogación y el filtro (36) están libres de restos de café.
5. Deje escurrir el grupo de erogación.
6. Elimine los restos de café de las superficies interiores del aparato con un paño suave seco.
7. Coloque el grupo de erogación dentro del aparato. Pulse y mantenga la palanca roja junto al asa del grupo de erogación y gire el asa en el sentido contrario de las agujas del reloj hasta que se engatille en el tope.
8. Cierre la cubierta. Para ello coloque la cubierta en su sitio y deslice la cubierta hacia delante hasta que se enganche.

## 8.4 Utilizar el programa "Easy Cleaning"

El programa "Easy Cleaning" permite enjuagar el sistema de leche.

Cada vez que prepare una bebida con leche, el aparato le requerirá ejecutar el programa "Easy Cleaning".

También podrá ejecutar el programa "Easy Cleaning" de forma manual.

**Requisito:** El display visualiza la indicación de disposición de servicio.

1. Coloque un recipiente debajo de la salida.
  2. Pulse el botón de mando "menu/ok" durante más de 2 segundos.
    - » El menú aparece en la pantalla.
  3. Navegue hasta el menú *Conservación > Easy Cleaning*.
  4. Seleccione *Inicio* con las teclas de flecha y confirme con "menu/ok".
  5. Siga las instrucciones visualizadas en la pantalla hasta el final del programa Easy Cleaning.
- » En la pantalla aparece la indicación de disposición de servicio.

## 8.5 Utilizar el programa "Limpiar sistema de leche"

Para limpiar el sistema de leche se requiere un limpiador para sistemas de leche.

Para mantener la higiene y evitar daños en el aparato recomendamos ejecutar el programa de limpieza una vez a la semana.

El programa de limpieza tarda unos 3 minutos aprox. y no debería interrumpirse.

### PRECAUCIÓN

**El uso de limpiadores para sistemas de leche no apropiados puede provocar daños en el aparato.**

- Utilice exclusivamente el limpiador para sistemas de leche Melitta® PERFECT CLEAN Espresso Machines.

**Requisito:** El display visualiza la indicación de disposición de servicio.

1. Coloque el cajón para posos de café (7) o un recipiente con una capacidad de 0,7 litros como mínimo debajo de la salida.
  2. Pulse el botón de mando "menu/ok" durante más de 2 segundos.
    - » El menú aparece en la pantalla.
  3. Navegue hasta el menú *Conservación > Limpieza sistema de leche*.
  4. Seleccione *Inicio* con las teclas de flecha y confirme con "menu/ok".
  5. Siga las instrucciones visualizadas en la pantalla hasta el final del programa de limpieza.
- » En la pantalla aparece la indicación de disposición de servicio.

## Limpiar la unidad de leche

Adicionalmente recomendamos limpiar la unidad de leche, el tubo flexible de leche y el depósito de leche (en función del modelo) con regularidad.

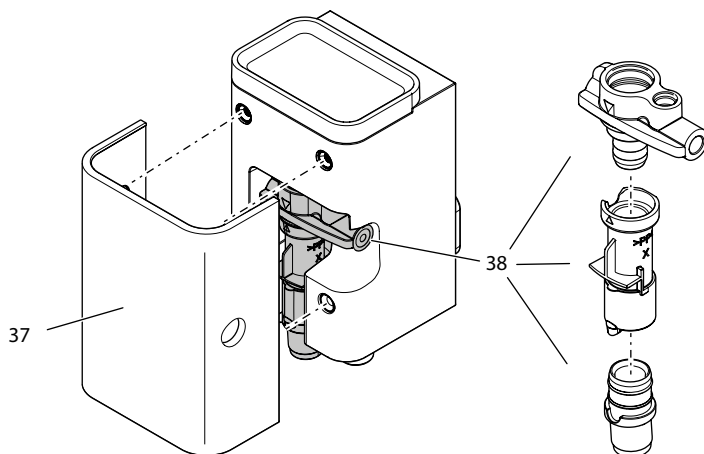


Fig. 19: Desmontar la unidad de leche

Para desmontar la unidad de leche debe proceder como sigue:

**Requisito:** Se ha retirado el tubo flexible de leche del aparato.

1. Retire de la cubierta (37) de la salida tirando hacia delante.
2. Empuje la unidad de leche (38) hacia abajo y retírela.
3. Desmonte la unidad de leche en tres piezas, como en la ilustración de arriba.
4. Limpie las piezas individuales con agua caliente. Utilice el cepillo de limpieza suministrado adjunto, un paño blando humedecido y un detergente lavavajillas de uso corriente.

El montaje se realizará análogamente en orden inverso.

## 8.6 Utilizar el programa "Limpiar sistema de café"

El programa "Limpiar sistema de café" permite eliminar residuos y restos de aceite de café con ayuda de un limpiador para máquinas automáticas de café.

A fin de evitar daños en el aparato recomendamos ejecutar el programa de limpieza cada 2 meses o cuando el aparato visualice el requerimiento correspondiente.

El programa de limpieza tarda unos 10 minutos aprox. y no debería interrumpirse.

**⚠ ATENCIÓN**

**El contacto con limpiadores para máquinas automáticas de café puede provocar irritaciones en los ojos y la piel.**

- Observe las instrucciones de uso sobre el embalaje del limpiador para máquinas automáticas de café.

**PRECAUCIÓN**

**El uso de limpiadores para máquinas automáticas de café no apropiados puede provocar daños en el aparato.**

- Utilice solamente las tabletas de limpieza Melitta® PERFECT CLEAN Espresso Machines.

**Requisito:** El display visualiza la indicación de disposición de servicio.

1. Pulse el botón de mando "menu/ok" durante más de 2 segundos.
  - » El menú aparece en la pantalla.
2. Navegue hasta el menú *Conservación > Limpieza sistema de café*.
3. Seleccione *Inicio* con las teclas de flecha y confirme con "menu/ok".
4. Siga las instrucciones visualizadas en la pantalla hasta el final del programa de limpieza.
  - » En la pantalla aparece la indicación de disposición de servicio.

## 8.7 Utilizar el programa "Descalcificación"

El programa de descalcificación permite eliminar depósitos de cal en el interior del aparato con ayuda de un descalcificador para máquinas automáticas de café.

A fin de evitar daños en el aparato recomendamos ejecutar el programa de descalcificación cada 3 meses o cuando el aparato visualice el requerimiento.

El programa de descalcificación tarda unos 25 minutos aprox. y no debería interrumpirse.

**⚠ ATENCIÓN**

**El contacto con descalcificadores para máquinas automáticas de café puede provocar irritaciones en los ojos y la piel.**

- Observe las instrucciones de uso sobre el embalaje del descalcificador para máquinas automáticas de café.

**PRECAUCIÓN**

**El uso de descalcificadores no apropiados puede provocar daños en el aparato.**

- Utilice solamente el descalcificador líquido Melitta® ANTI CALC Espresso Machines.

**PRECAUCIÓN**

**Un filtro de agua enroscado puede sufrir daños durante el programa de descalcificación.**

- Retire el filtro de agua cuando el aparato visualice el requerimiento.
- Coloque el filtro de agua en un recipiente con agua del grifo mientras dura el programa de descalcificación.
- Cuando haya terminado el programa de descalcificación podrá volver a colocar el filtro de agua y seguir utilizándolo.

**Requisito:** El display visualiza la indicación de disposición de servicio.

1. Pulse el botón de mando "menu/ok" durante más de 2 segundos.
    - » El menú aparece en la pantalla.
  2. Navegue hasta el menú *Conservación > Descalcificación*.
  3. Seleccione *Inicio* con las teclas de flecha y confirme con "menu/ok".
  4. Siga las instrucciones visualizadas en la pantalla hasta el final del programa de descalcificación.
- » En la pantalla aparece la indicación de disposición de servicio.

## 8.8 Ajustar la dureza del agua

Junto con el ajuste de la dureza del agua, también se regula la frecuencia con la que el aparato requiere una descalcificación. Cuanto más dura sea el agua, más frecuente será la necesidad de descalcificar el aparato.

**ℹ Información**

Si utiliza un filtro de agua no será posible ajustar la dureza del agua. La dureza del agua está automáticamente ajustada a 1 = *Blanda* (véase el capítulo 8.9 *Utilizar un filtro de agua* en la página 86).

Determine la dureza del agua utilizando la cinta de prueba adjunta. Observe las instrucciones sobre el embalaje de la cinta de prueba y la tabla *Rango de dureza del agua en la página 91*.

**Requisito:** El display visualiza la indicación de disposición de servicio.

1. Pulse el botón de mando "menu/ok" durante más de 2 segundos.
  - » El menú aparece en la pantalla.
2. Navegue con las teclas de flecha hasta el menú *Dureza del agua*.
3. Seleccione con las teclas de flecha el rango de dureza del agua y confirme con "menu/ok".
4. Seleccione la instrucción *Exit* para salir del menú.
  - » En la pantalla aparece la indicación de disposición de servicio.

## 8.9 Utilizar un filtro de agua

El uso de un filtro de agua aumenta la duración de vida útil del aparato y le permitirá descalcificar el aparato con menos frecuencia. El filtro de agua incluido en el volumen de suministro filtra la cal y otros contaminantes del agua.

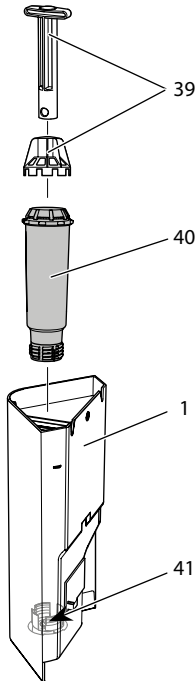


Fig. 20: Enroscar/desenroscar el filtro de agua

El filtro de agua (40) se enrosca o desenrosca con ayuda del elemento auxiliar de enroscado (39) en/de la rosca (41) situada en el fondo del depósito de agua (1).

## Insertar el filtro de agua

### Información

Coloque el filtro de agua durante algunos minutos en un recipiente lleno de agua fresca del grifo antes de insertarlo.

**Requisito:** El display visualiza la indicación de disposición de servicio.

1. Pulse el botón de mando "menu/ok" durante más de 2 segundos.
    - » El menú aparece en la pantalla.
  2. *Navegue hasta el menú Conservación > Filtro > Insertar filtro.*
  3. Seleccione *Inicio* con las teclas de flecha y confirme con "menu/ok".
  4. Siga las instrucciones visualizadas en la pantalla.
    - » La dureza del agua está ajustada a *Blanda* de forma automática.
- » En la pantalla aparece la indicación de disposición de servicio.

## Cambiar el filtro de agua

Cambie el filtro de agua cuando el aparato visualice el requerimiento.

**Requisito:** El display visualiza la indicación de disposición de servicio.

1. Pulse el botón de mando "menu/ok" durante más de 2 segundos.
    - » El menú aparece en la pantalla.
  2. *Navegue hasta el menú Conservación > Filtro > Cambiar filtro.*
  3. Seleccione *Inicio* con las teclas de flecha y confirme con "menu/ok".
  4. Siga las instrucciones visualizadas en la pantalla.
- » En la pantalla aparece la indicación de disposición de servicio.

## Retirar el filtro de agua

El filtro de agua no debería permanecer seco durante un periodo prolongado de tiempo. En caso de no utilizarlo durante un periodo prolongado, recomendamos guardar el filtro de agua dentro de un recipiente lleno de agua del grifo en el frigorífico.

Retire el filtro de agua como sigue.

**Requisito:** El display visualiza la indicación de disposición de servicio.

1. Pulse el botón de mando "menu/ok" durante más de 2 segundos.
  - » El menú aparece en la pantalla.
2. *Navigue hasta el menú Conservación > Filtro > Retirar filtro.*
3. Seleccione *Inicio* con las teclas de flecha y confirme con "menu/ok".
4. Siga las instrucciones visualizadas en la pantalla.
  - » La dureza del agua se repone automáticamente al ajuste anterior.
  - » En la pantalla aparece la indicación de disposición de servicio.
5. Vuelva a ajustar la dureza del agua en caso necesario (véase el capítulo 8.8 *Ajustar la dureza del agua* en la página 85).



## 9 Fallos

Si las medidas indicadas a continuación no eliminasen los fallos o si se produjeran otros fallos que no se describen en este apartado, dirijase a nuestra línea de atención al cliente (tarifa urbana).

Tecnimel Hostelería, S.L.U.

+34 (0)91/ 644 81 30

Fallo	Causa	Medida
El café solo sale a gotas de la salida.	Nivel de molido demasiado fino.	<ul style="list-style-type: none"> <li>Ajustar un nivel de molido más grueso (véase el capítulo 7.6 en la página 78).</li> </ul>
	Aparato sucio.	<ul style="list-style-type: none"> <li>Limpiar el grupo de erogación (véase el capítulo 8.3 en la página 80).</li> <li>Ejecutar el programa de limpieza (véase el capítulo 8.6 en la página 83).</li> </ul>
	Aparato calcificado.	<ul style="list-style-type: none"> <li>Descalcificar el aparato (véase el capítulo 8.7 en la página 84).</li> </ul>
No sale café.	Depósito de agua sin agua o mal colocado.	<ul style="list-style-type: none"> <li>Llenar el depósito de agua y colocarlo correctamente (véase el capítulo 4.5 en la página 62).</li> </ul>
	Grupo de erogación obstruido.	<ul style="list-style-type: none"> <li>Limpiar el grupo de erogación (véase el capítulo 8.3 en la página 80).</li> </ul>
La pantalla indica <i>Llenar granos</i> aunque el depósito de granos está lleno.	Los granos de café no llegan al mecanismo de molido.	<ul style="list-style-type: none"> <li>Pulsar un botón de dispensado.</li> <li>Golpear el depósito de granos ligeramente.</li> <li>Limpiar el depósito de granos.</li> <li>Granos de café demasiado aceitosos. Utilizar otros granos de café.</li> </ul>
El mecanismo de molido hace mucho ruido.	Cuerpos extraños en el mecanismo de molido.	<ul style="list-style-type: none"> <li>Ponerse en contacto con la línea de atención al cliente.</li> </ul>
No se puede insertar el grupo de erogación después de haberlo retirado.	El asa del dispositivo de bloqueo del grupo de erogación no se encuentra en la posición correcta.	<ul style="list-style-type: none"> <li>Controlar si se ha engatillado correctamente el asa para el dispositivo de bloqueo del grupo de erogación (véase el capítulo 8.3 en la página 80).</li> </ul>
	El accionamiento no se encuentra en la posición correcta.	<ul style="list-style-type: none"> <li>Pulsar el botón "Intensidad del café" y mantenerlo pulsado. Pulsar adicionalmente el botón "ON/OFF". El aparato realiza una inicialización. Volver a soltar los botones.</li> </ul>
La pantalla indica <i>Fallo del sistema</i> .	Error de software.	<ul style="list-style-type: none"> <li>Apagar y volver a encender el aparato (véase el capítulo 4.1 en la página 58).</li> <li>Ponerse en contacto con la línea de atención al cliente.</li> </ul>

## 10 Transporte, almacenamiento y eliminación

### 10.1 Purgar el vapor del aparato

Recomendamos purgar el vapor del aparato en caso de no utilizarlo durante un periodo prolongado, antes de transportarlo o en caso de peligro de heladas.

Al purgar el vapor del aparato se elimina el agua residual.

**Requisito:** El display visualiza la indicación de disposición de servicio.

1. Coloque un recipiente debajo de la salida.
2. Pulse el botón de mando "menu/ok" durante más de 2 segundos.
  - » El menú aparece en la pantalla.
3. Navegue hasta el menú *Sistema > Purga de vapor*.
4. Seleccione *Inicio* con las teclas de flecha y confirme con "menu/ok".
5. Siga las instrucciones visualizadas en la pantalla.
  - » El aparato se apaga.

### 10.2 Transportar el aparato

#### PRECAUCIÓN

**Si se congela el agua residual pueden producirse daños en el aparato.**

- Evite exponer el aparato a temperaturas por debajo de los 0 °C.

#### Información

Transporte el aparato dentro de su embalaje original. De este modo evitará daños de transporte.

Lleve a cabo las siguientes tareas antes de transportar el aparato:

1. Purgue el vapor del aparato (véase el capítulo 10.1 *Purgar el vapor del aparato* en la página 90).
2. Vacíe la bandeja recogegotas y el cajón para posos de café.
3. Vacíe el depósito de agua.
4. Vacíe el depósito de granos.
5. Limpie el aparato (véase el capítulo 8.1 *Limpieza general* en la página 79).
6. Fije las piezas sueltas (como el reposatazas, etc.) con cinta adhesiva adecuada.
7. Embale el aparato.

### 10.3 Eliminación del aparato



Los aparatos etiquetados con este símbolo están sujetos a la Directiva Europea 2002/96/CE sobre WEEE (Waste Electrical and Electronic Equipment (residuos de aparatos eléctricos y electrónicos)).

Los aparatos eléctricos no deben eliminarse con la basura doméstica.

- Elimine el aparato de forma respetuosa con el medio ambiente utilizando sistemas de recogida apropiados.

## 11 Datos técnicos

Datos técnicos	
Tensión de servicio	220 V a 240 V, 50 Hz
Consumo de corriente	máx. 1450 W
Presión de la bomba	estática, máx. 15 bares
Dimensiones	
Largo	253 mm
Alto	390 mm
Ancho	380 mm
Capacidad	
Depósito de granos	125 g
Depósito de agua	1,2 l
Cantidad de un dispensado de bebida	de 25 ml a 220 ml
Peso (vacío)	8,5 kg
Condiciones ambientales	
Temperatura	de 10 °C a 32 °C
Humedad relativa del aire	del 30 % al 80 % (no condensante)

Rango de dureza del agua	°d	°e	°f
Blando	de 0 a 10	de 0 a 13	de 0 a 18
Medio	de 10 a 15	de 13 a 19	de 18 a 27
Duro	de 15 a 20	de 19 a 25	de 27 a 36
Muy dura	>20	>25	>36

Ajustes de fábrica		
Espresso	Cantidad	40 ml
	Intensidad del café	Fuerte
	Temperatura de preparación	Normal
Café crema	Cantidad	120 ml
	Intensidad del café	Fuerte
	Temperatura de preparación	Normal
Capuchino	Cantidad	130 ml
	Intensidad del café	Fuerte
	Temperatura de preparación	Normal
Latte Macchiato	Cantidad	190 ml
	Intensidad del café	Fuerte
	Temperatura de preparación	Normal
Leche	Cantidad de espuma	180 ml
	Cantidad de leche	180 ml
Agua caliente	Cantidad	180 ml

## İçindekiler

<b>1</b>	<b>Güvenliğiniz için</b> .....	<b>95</b>
1.1	Kullanılan semboller .....	96
1.2	Tasarım amacına uygun kullanım .....	96
1.3	Elektrik akımı nedeniyle tehlike.....	96
1.4	Yanma ve haşlanma tehlikesi.....	97
1.5	Genel güvenlik bilgileri.....	97
<b>2</b>	<b>Cihazın tanıtımı</b> .....	<b>98</b>
2.1	Cihaza genel bakış.....	98
2.2	Kumanda alanına genel bakış .....	100
<b>3</b>	<b>İlk adımlar</b> .....	<b>101</b>
3.1	Cihazın ambalajından çıkarılması .....	101
3.2	Teslimat kapsamının kontrolü .....	101
3.3	Cihazın kurulumu.....	102
3.4	Cihazın bağlantılarının yapılması .....	102
3.5	Cihazın ilk kez çalıştırılması .....	102
<b>4</b>	<b>Genel kullanım bilgileri</b> .....	<b>104</b>
4.1	Cihazın çalıştırılması ve kapatılması.....	104
4.2	Kumanda alanının kullanımı .....	105
4.3	Menüde gezinme .....	105
4.4	Çekirdek haznesine kahve çekirdeği doldurulması .....	107
4.5	Suyun doldurulması.....	108
4.6	Çıkışın ayarlanması .....	109
4.7	Süt kullanımı .....	110
4.8	Damlama teknesinin ve kahve posası kabının boşaltılması .....	112
<b>5</b>	<b>İçeceklerin hazırlanması</b> .....	<b>113</b>
5.1	Espresso ve Café Crème hazırlanışı.....	113
5.2	Cappuccino hazırlanışı .....	114
5.3	Latte Macchiato hazırlanışı.....	114
5.4	Süt köpüğü veya sıcak süt hazırlanışı .....	115
5.5	Sıcak su hazırlanışı .....	115
5.6	Tariflerle başka içeceklerin hazırlanışı .....	116
5.7	Hazırlama sırasında ve öncesinde içecek ayarlarının değiştirilmesi ..	117
5.8	İçecek hazırlanışının iptali .....	118
5.9	Aynı anda iki içecek hazırlanışı.....	119
<b>6</b>	<b>İçecek ayarlarının kalıcı olarak değiştirilmesi</b> .....	<b>120</b>
6.1	Ön ayarların değiştirilmesi.....	120

<b>7</b>	<b>Temel ayarların değiştirilmesi .....</b>	<b>121</b>
7.1	Dil ayarı .....	121
7.2	Otomatik kapanmanın ayarlanması .....	121
7.3	Enerji tasarruf modunun ayarlanması .....	122
7.4	Cihazın fabrika ayarlarına dönüş .....	122
7.5	Cihaz durumuna ilişkin bilgiler .....	123
7.6	Öğütme derecesinin ayarlanması .....	124
<b>8</b>	<b>Koruyucu bakım ve periyodik bakım .....</b>	<b>125</b>
8.1	Genel temizlik .....	125
8.2	Kahve sisteminin yıkanması .....	125
8.3	Pişirme ünitesinin çıkarılması ve temizlenmesi .....	126
8.4	"Easy Cleaning" programının kullanımı .....	127
8.5	"Süt sistemini temizle" programının kullanımı .....	128
8.6	"Kahve sistemini temizle" programının kullanımı .....	130
8.7	"Kireç çöz" programının kullanımı .....	131
8.8	Su sertliğinin ayarlanması .....	132
8.9	Su filtresinin kullanımı .....	133
<b>9</b>	<b>Arızalar .....</b>	<b>136</b>
<b>10</b>	<b>Nakliye, depolama ve imha .....</b>	<b>137</b>
10.1	Cihazın buharının boşaltılması .....	137
10.2	Cihazın nakliyesi .....	137
10.3	Cihazın imhası .....	138
<b>11</b>	<b>Teknik veriler .....</b>	<b>138</b>

## Sevgili müşterimiz!

Caffeo® Passione® kahve otomatını tercih ettiğiniz için teşekkür ederiz.

Bu kullanma kılavuzu, cihazın sunduğu zengin olanakları tanımanız ve kahve tadının doruğuna ulaşmanızı sağlamak amacıyla hazırlanmıştır.

Kullanma kılavuzunu lütfen dikkatle okuyun. Böylece fiziksel ve maddi hasarları önlemiş olursunuz. Kullanma kılavuzunu lütfen itinayla saklayın. Cihazı başkalarına verdiğinizde bu kullanma kılavuzunu da beraberinde verin.

Kullanma kılavuzuna uyulmaması sonucunda oluşan hasarlarda Melitta firması herhangi bir sorumluluk üstlenmez.

Daha ayrıntılı bilgi edinmek istiyorsanız ya da cihazla ilgili sorularınız varsa lütfen Melitta firmasıyla irtibata geçin veya internet sitemizi ziyaret edin: [www.melitta.de](http://www.melitta.de)

Yeni kahve otomatınızı zevkle kullanmanız dileğiyle...

## 1 Güvenliğiniz için

**CE** Cihaz, aşağıda belirtilen Avrupa direktiflerine uygundur:

- 2006/95/AB (düşük voltaj),
- 2004/108/AB (elektromanyetik uyumluluk),
- 2011/65/AB (RoHS),
- 2009/125/AB (Eko tasarım/ErP).

Cihaz en son teknik gelişmelere uygun olarak üretilmiştir. Buna rağmen geri kalan tehlikeler söz konusudur.

Tehlikeleri önlemek için güvenlik bilgilerini dikkate almanız gerekir. Güvenlik bilgilerinin dikkate alınmaması sonucunda oluşan hasarlarda Melitta firması herhangi bir sorumluluk üstlenmez.

## 1.1 Kullanılan semboller

Aşağıdaki semboller, cihazın kullanımında söz konusu olabilecek özel tehlikelere işaret eder ve size faydalı bilgiler verir.

**⚠ UYARI**

UYARI kelimesi olası yaralanmalara işaret eder.

**DİKKAT**

DİKKAT kelimesi cihazda olası hasarlara işaret eder.

**i Bilgi**

Bilgi kelimesi cihazın kullanımıyla ilgili değerli ek bilgilere işaret eder.

## 1.2 Tasarım amacına uygun kullanım

Cihaz kahve çekirdeğinden kahve spesiyaliteleri hazırlama, süt ve su ısıtma amacıyla tasarlanmıştır.

Cihaz sadece evlerde kullanıma mahsustur.

Bunun dışında her kullanım tasarım amacına aykırı kabul edilir ve fiziksel ve maddi hasarlara yol açabilir. Melitta firması, cihazın tasarım amacına uygun olmayan kullanımından doğan hasarlarda herhangi bir sorumluluk üstlenmez.

## 1.3 Elektrik akımı nedeniyle tehlike

Cihaz veya elektrik kablosunun hasarlı olması halinde elektrik çarpması nedeniyle hayati tehlike söz konusudur.

Elektrik akımından doğan tehlikeleri önlemek için aşağıdaki güvenlik bilgilerini dikkate alın:

- Hasarlı elektrik kablolarını kullanmayın.
- Hasarlı bir elektrik kablosu sadece üretici, üreticinin müşteri hizmetleri veya servis partnerleri tarafından değiştirilebilir.
- Cihaz gövdesinde sıkı şekilde vidalanmış kapakları açmayın.
- Cihazı ancak teknik açıdan kusursuz olması halinde kullanın.



- Bozuk bir cihaz sadece yetkili servis tarafından onarılabilir. Cihazı kendiniz onarmayın.
- Cihazda, bileşenlerinde ve aksesuarlarda değişiklikler yapmayın.
- Cihazı suya batırmayın.

#### 1.4 Yanma ve haşlanma tehlikesi

Dışarı sızan sıvılar ve buharlar çok sıcak olabilir. Cihazın parçaları da kısmen çok ısınır.

Yanma ve haşlanmaları önlemek için aşağıdaki güvenlik bilgilerini dikkate alın:

- Dışarı sızan sıvı ve buharla cildinizin temas etmesinden kaçınin.
- İçecek alınırken veya alındıktan hemen sonra çıkıştaki nozullara dokunmayın. Parçaların tamamı soğuyana kadar bekleyin.

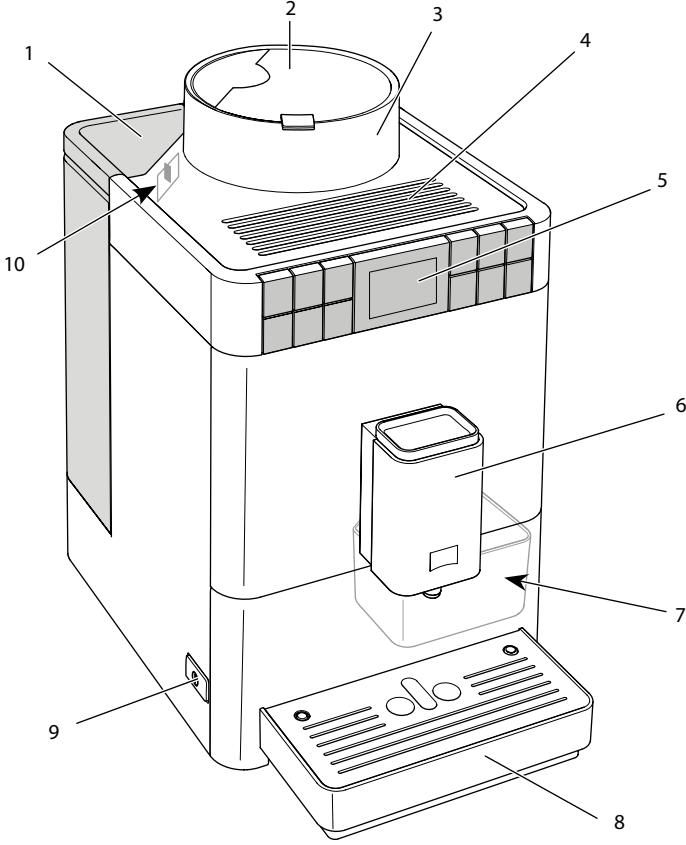
#### 1.5 Genel güvenlik bilgileri

Fiziksel ve maddi hasarları önlemek için aşağıdaki güvenlik bilgilerini dikkate alın:

- Çalışma sırasında cihazın iç kısmına elinizi sokmayın.
- Cihazı ve elektrik kablosunu 8 yaş altı çocuklardan uzak tutun.
- Bu cihaz, 8 yaş üzeri çocuklar ve fiziksel, algısal veya zihinsel yetenekleri zayıf olan, yeterli tecrübe ve bilgiye sahip olmayan kişiler tarafından ancak gözetim altında olmaları, cihazın güvenli kullanımı konusunda bilgilendirilmiş ve cihazdan kaynaklanan tehlikeleri anlamış olmaları halinde kullanılabilir.
- Çocukların cihazla oynamaları yasaktır. Temizleme ve periyodik bakım çalışmaları 8 yaş altında çocuklar tarafından yapılmamalıdır. 8 yaş üzeri çocuklar temizleme ve periyodik bakım çalışmaları sırasında gözetim altında olmalıdırlar.
- Uzun süre gözetimsiz kaldığında cihazın elektrik bağlantısını kesin.

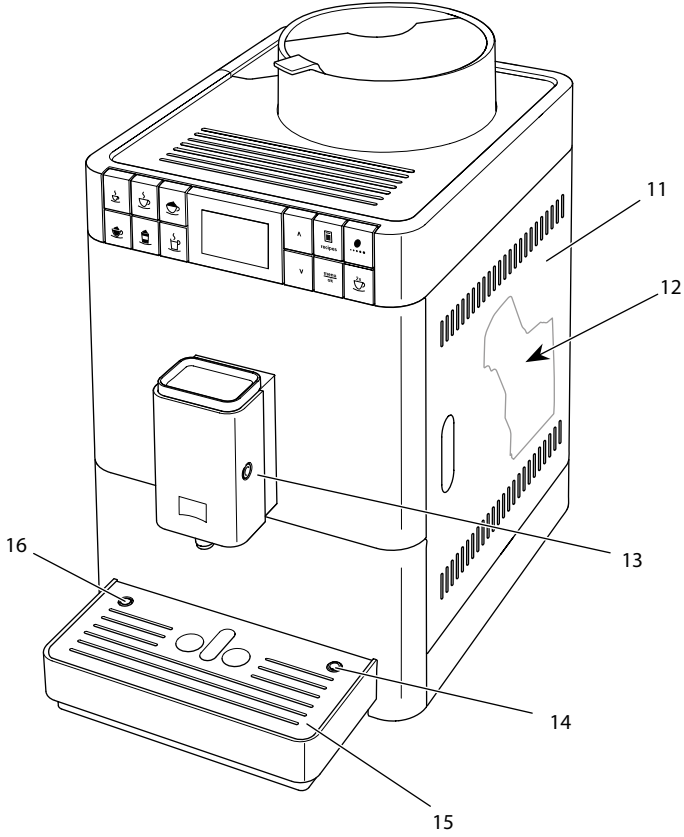
## 2 Cihazın tanıtımı

### 2.1 Cihaza genel bakış



Resim 1: Cihazın sol ön tarafı

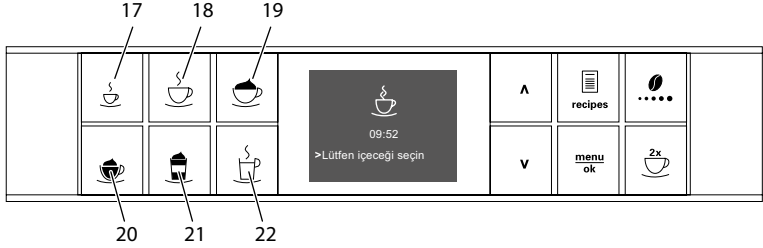
- |                              |  |
|------------------------------|--|
| 1 Kapaklı su haznesi         | 6 2 kahve nozulu, 1 süt nozulu, 1 sıcak su nozulu ve fincan aydınlatmasına sahip yükseklik ayarlı çıkış bölümü |
| 2 Çekirdek haznesinin kapağı | 7 Kahve posası kabı (iç kısımda)   |
| 3 Çekirdek haznesi           | 8 Damlama teknesi  |
| 4 Fincan koyma yeri          | 9 "Açma/Kapama" düğmesi  |
| 5 Kumanda alanı              | 10 "Öğütme derecesi ayar" kolu (içte)  |



Resim 2: Cihazın sağ ön tarafı

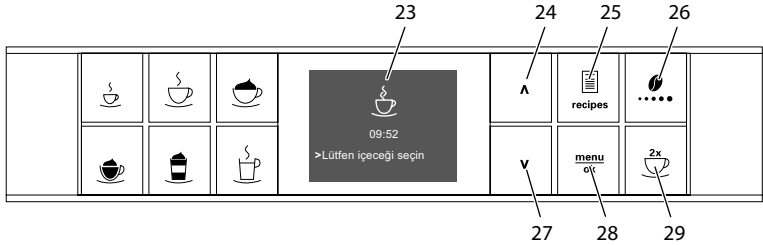
- |  |   |
|--|---|
| 11 Kapak                                     | 14 Damlama teknesine süt hortumu bağlantısı |
| 12 Pişirme ünitesi (içte)                    | 15 Fincan paneli                            |
| 13 Süt hortumunun çıkış ünitesine bağlantısı | 16 Şamandıra                                |

## 2.2 Kumanda alanına genel bakış



Resim 3: Seçim tuşları

Poz.	Tanım	Fonksiyon
17	Espresso	Espresso hazırlanışı
18	Café Crème	Café Crème hazırlanışı
19	Cappuccino	Cappuccino hazırlanışı
20	Süt köpüğü/ Sıcak süt	Süt köpüğü ve sıcak süt hazırlanışı
21	Latte Macchiato	Latte Macchiato hazırlanışı
22	Sıcak su	Sıcak su hazırlanışı



Resim 4: Ekran ve kumanda tuşları

Poz.	Tanım	Fonksiyon
23	Ekran	Anlık menü ve mesajların gösterimi Örnek: Hazır göstergesi
24	Ok tuşu Yukarı	Menüde yukarıya doğru gezinme veya miktarı arttırma
25	Tarifler	Tariflerin seçimi ve hazırlanışı
26	Kahve sertliği	Kahve sertliğinin ayarlanması
27	Ok tuşu Aşağı	Menüde aşağıya doğru gezinme veya miktarı azaltma
28	menu/ok	Menüye ulaşım ve girdi onayı
29	İki fincan	İki fincan alımı

## 3 İlk adımlar

Bu bölümde cihazınızı kullanıma nasıl hazırlamanız gerektiği açıklanmıştır.

### 3.1 Cihazın ambalajından çıkarılması

Cihaz haricinde ambalajda örneğin temizleme yardımcı elemanları ve maddeleri gibi başka aksesuarlar da bulunmaktadır.

#### **⚠ UYARI**

**Temizleme maddeleriyle temas, gözlerde ve ciltte tahrişlere sebep olabilir.**

- Teslimat kapsamındaki temizleme maddelerini çocukların erişemeyecekleri yerlerde saklayın.
- Cihazı ambalajından çıkarın. Ambalaj malzemesini, yapışkan şeritleri ve koruyucu folyoları cihazdan alın.
- Ambalaj malzemesini nakliye ve üreticiye olası geri gönderiler için saklayın.

#### **i Bilgi**

Cihazda kahve ve su izleri olabilir. Cihazın kusursuz çalıştığı fabrikada kontrol edilmiştir.

### 3.2 Teslimat kapsamının kontrolü

Aşağıdaki liste yardımcıyla teslimatın eksiksiz olduğunu kontrol edin. Parçaların eksik olması halinde satış noktanıza başvurun.

- Su filtresi için takma yardımcı elemanı
- Uzun süt hortumu
- Temizleme fırçası
- Kahve otomatı temizleyicisi
- Süt sistemi temizleyicisi
- Kahve otomatı kireç çözücüsü
- Su filtresi
- Su sertliğinin tespiti için test şeritleri

Modele göre ayrıca:

- kısa hortumlu süt haznesi.

### 3.3 Cihazın kurulumu

Aşağıdaki uyarıları lütfen dikkate alın:

- Cihazı nemli ortamlarda kurmayın.
- Cihazı sağlam, düz ve kuru bir yüzeyin üzerine yerleştirin.
- Cihazı evye veya benzerleri yakınlarına kurmayın.
- Cihazı sıcak yüzeyler üzerine koymayın.
- Diğer cisimlerle veya duvarla arasında yaklaşık 10 cm'lik yeterli bir mesafe bırakın. Yukarıya doğru mesafe en az 20 cm olmalıdır.
- Elektrik kablosunu kenarlar veya sıcak yüzeyler üzerinden geçmeyecek şekilde döşeyin.

### 3.4 Cihazın bağlantılarının yapılması

Aşağıdaki uyarıları lütfen dikkate alın:

- Şebeke voltajının teknik verilerde belirtilen voltaja uygun olmasını sağlayın (bkz. Tablo *Teknik veriler* Sayfa 138).
- Cihazı sadece kurulumu usulüne uygun yapılmış, topraklamalı bir prize bağlayın. Tereddüt halinde uzman elektrikçi çağırın.
- Koruyucu kontaklı priz en az 10A sigorta ile korunuyor olmalıdır.

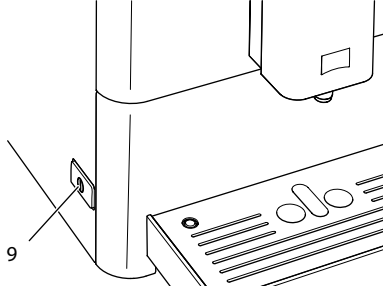
### 3.5 Cihazın ilk kez çalıştırılması

İlk kez işleme alma sırasında dili ve su sertliğini ayarlayabilirsiniz. Yapılan ayarları ileride değiştirebilirsiniz (bkz. Bölüm 7 *Temel ayarların değiştirilmesi* Sayfa 121 ve Bölüm 8.8 *Su sertliğinin ayarlanması* Sayfa 132).

Suyun sertliğini belirlemek için teslimat kapsamındaki test şartlarını kullanın. Test şartlarının ambalajında ve *Su sertlik aralığı Sayfa 138* tablosunda yer alan bilgileri dikkate alın.

#### **Bilgi**

- İlk kez işleme aldıktan sonra hazırlanan ilk iki fincan kahveyi içmemenizi öneririz.
- Su filtresi kullanmak istiyorsanız, filtreyi ilk işleme alma çalışmasından sonra takmanızda fayda vardır.



Resim 5: "Açma/Kapama" düğmesi

**Ön koşul:** Cihaz kurulmuş ve bağlantısı yapılmış olmalıdır.

1. Çıkışın altına bir fincan koyun.
2. "Açma/Kapama" düğmesine basın.
  - » Ekranda karşılama göstergesi belirir.
  - » Ekranda ilk ayarların yapılması talebi belirir: *Please Setup the machine.*
3. "menu/ok" ile onaylayın.
  - » *Dil* menüsü belirir.
4. Ok tuşlarıyla dilinizi seçin. "menu/ok" ile onaylayın.
  - » *Su sertliği* menüsü belirir.
5. Ok tuşlarıyla tespit edilen su sertliği aralığını ayarlayın veya ön ayarlı değeri "menu/ok" ile onaylayın.
  - » *Lütfen su haznesini doldurun ve takın* talebi belirir.
6. Su haznesini çıkarın. Su haznesini sade suyla çalkalayın. Su haznesine temiz su doldurun ve yerine takın.
  - » Cihaz ısınmaya başlar ve otomatik yıkama yapar.
  - » Ekranda hazır göstergesi belirir.
7. Çekirdek haznesine kahve çekirdekleri doldurun. Bu konuya ilişkin 4.4 *Çekirdek haznesine kahve çekirdeği doldurulması Sayfa 107* bölümünü okuyun.
  - » Gerekirse şimdi su filtresini takabilirsiniz (bkz. Bölüm 8.9 *Su filtresinin kullanımı Sayfa 133*).

## 4 Genel kullanım bilgileri

Bu bölümde cihazın günlük kullanımına ilişkin temel adımlar tarif edilmiştir.

### 4.1 Cihazın çalıştırılması ve kapatılması

İlk kez işleme alma sırasında çalıştırmadan önce 3.5 *Cihazın ilk kez çalıştırılması* Sayfa 102 bölümünü okuyun.

#### Bilgi

- Açma ve kapama sırasında cihaz otomatik yıkama yapar.
- Yıkama sırasında yıkama suyu damlama teknesine de aktarılır.

#### Cihazın çalıştırılması

1. Çıkışın altına bir fincan koyun.
2. "Açma/Kapama" düğmesine (9) basın.
  - » Ekranda karşılama göstergesi belirir.
  - » Cihaz ısınmaya başlar ve otomatik yıkama yapar.
- » Ekranda hazır göstergesi belirir.

#### Bilgi

Cihaz sadece kısa süre kapalı kaldıysa, çalıştırdıktan sonra otomatik yıkama yapılmaz.

#### Cihazın kapatılması

1. Çıkışın altına bir fincan koyun.
2. "Açma/Kapama" düğmesine (9) basın.
  - » Cihaz otomatik yıkama yapar.
- » Cihaz kapanır.

#### Bilgi

- Cihaz, uzun süre kullanılmadığında kendiliğinden kapanır. Bu durumda da otomatik yıkama yapılır.
- Kapanma zamanını *Otom. kapat* menüsünde ayarlayabilirsiniz, bkz. Bölüm 7.2 *Otomatik kapanmanın ayarlanması* Sayfa 121.
- Çalıştırdıktan sonra içecek hazırlanmadıysa veya su haznesi boş ise, yıkama yapılmaz.



## 4.2 Kumanda alanının kullanımı

Başlıca programlara kumanda alanından ulaşılır.

İstediğiniz tuşa basın. Tuşların kullanımı için aşağıda belirtildiği gibi hareket edin:



### Kısa basın

Bir programı seçmek için kumanda tuşlarından birine kısa basın.



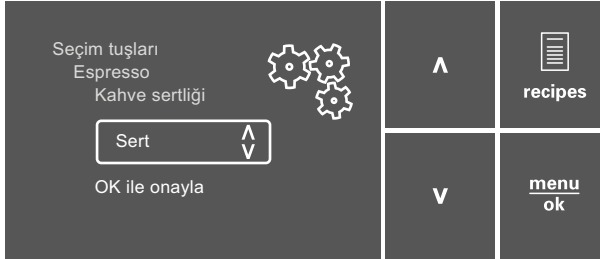
### Uzun basın

Olası mevcut ikinci programı seçmek için kumanda tuşlarından birine 2 saniyeden uzun basın.

## 4.3 Menüde gezinme

Kişisel içeceklerin ayarı ile periyodik ve koruyucu bakım çalışmaları için ekranda menüyü çağırmanız ve menüde gezinmeniz gerekir.

Ekrandaki uyarıları lütfen dikkate alın.



Resim 6: Ekran (örnek) ve gezinme için tuşları

Menüde gezinmek için aşağıda belirtilen olanakları kullanın:

### Menüye ulaşım ve seçim onayı



Menüye ulaşmak için "menu/ok" tuşuna 2 saniyeden uzun basın. Seçiminizi onaylamak için "menu/ok" tuşuna kısaca basın.

## Menüde gezinme veya sayısal değeri değiştirme

- V ^ Menüde yukarıya veya aşağıya doğru gezinmek için ok tuşlarına basın.
- Sayısal değeri yükseltmek veya düşürmek için ok tuşlarına basın. İstenilen pozisyona veya istenilen sayısal değere hızla ulaşmak için ok işareti tuşunu basılı tutun.

## Menüden çıkış

- Exit ↗ Ok tuşlarıyla *Çık* komutunu seçin ve menüden çıkmak için “menu/ok” ile onaylayın. Sadece bilgiler gösteren ve ayar yapmanız mümkün olmadığı alt menülerden “menu/ok” ile çıkın.

## Alt menülere ulaşım

Cihazın bazı programları için sırasıyla birkaç alt menüye ulaşmanız gerekir.

Alt menülere ulaşım daima aynıdır. Örnek olarak burada *Kireç çöz* programına ulaşım tarif edilmektedir.



Resim 7: Kireç çöz programına ulaşım

1. “menu/ok” tuşuna 2 saniye boyunca basın.
  - » Menü ekranda belirir.
2. Ok tuşlarıyla *Koruyucu bakım* seçimini yapın ve “menu/ok” ile onaylayın.
3. Ok tuşlarıyla *Kireç çöz* seçimini yapın ve “menu/ok” ile onaylayın.

Bu kullanma kılavuzunda programların seçimi daima kısaltılarak gösterilir:

- *Koruyucu bakım* > *Kireç çöz* menüsüne gidin.

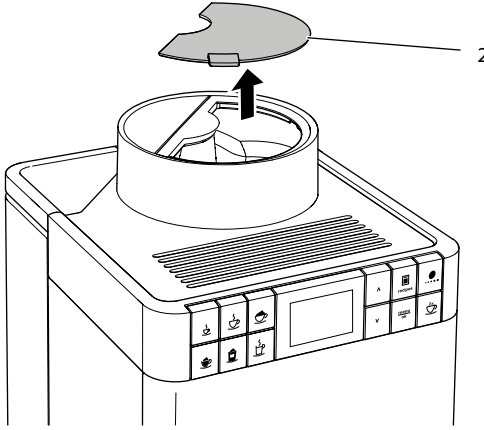
#### 4.4 Çekirdek haznesine kahve çekirdeği doldurulması

Kavrulmuş kahve çekirdekleri aromalarını zamanla kaybederler. Ancak 3–4 gün içinde tüketeyeğiniz miktarda kahve çekirdeğini çekirdek haznesine doldurun.

##### DİKKAT

**Uygun olmayan kahve türlerinin kullanılması öğütücüde yapışmalara sebep olabilir.**

- Derin dondurulmuş veya karamelize kahve çekirdekleri kullanmayın.
- Kahve tozu veya hazır (instant) ürünler kullanmayın.



Resim 8: Çekirdek haznesinin kapağını açın

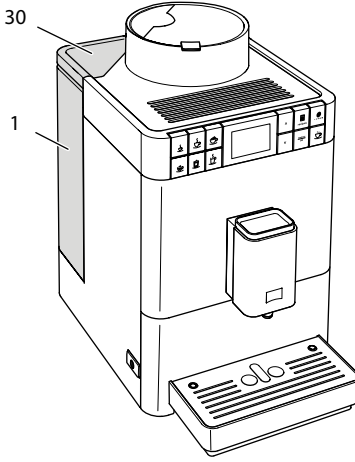
1. Çekirdek haznesinin kapağını (2) açın.
2. Çekirdek haznesine kahve çekirdekleri doldurun.
3. Çekirdek haznesinin kapağını kapatın.

## 4.5 Suyun doldurulması

Mükemmel kahve lezzeti için sadece gazsız, temiz ve soğuk su kullanın. Suyu her gün değiştirin.

### Bilgi

Suyun kalitesi kahvenin tadını büyük ölçüde belirler. Bu nedenle su filtresi (bkz. Bölüm 8.8 *Su sertliğinin ayarlanması* Sayfa 132 ve Bölüm 8.9 *Su filtresinin kullanımı* Sayfa 133) kullanın.

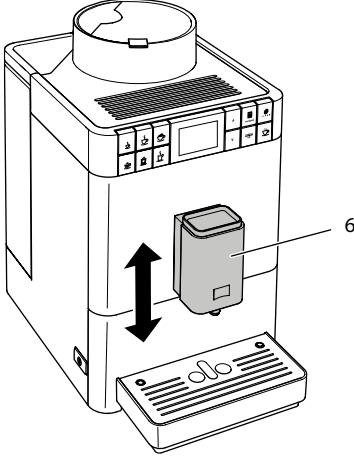


Resim 9: Su haznesi

1. Su haznesinin kapağını (30) açın, su haznesini (1) kulpundan yukarıya doğru çekerek cihazdan çıkarın.
2. Su haznesine su doldurun.
3. Su haznesini yukarıdan cihaza yerleştirin ve kapağını kapatın.

## 4.6 Çıkışın ayarlanması

Çıkış ünitesi (6) yükseklik ayarlıdır. Çıkış ile fincan arasındaki mesafenin mümkün oldukça küçük olmasına dikkat edin. Fincanın büyüklüğüne göre çıkış ünitesini yukarıya veya aşağıya kaydırın.



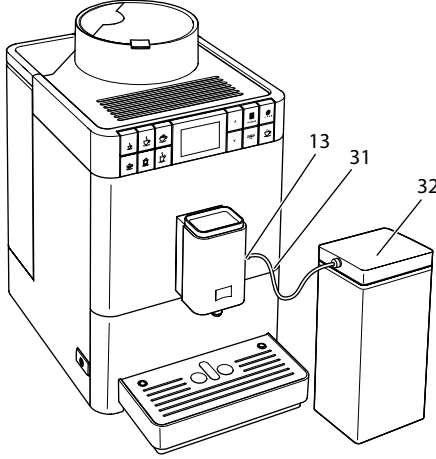
Resim 10: Çıkışın ayarlanması

## 4.7 Süt kullanımı

Mükemmel kahve lezzeti için sadece soğutulmuş süt kullanın. Cihazın modeline göre teslimat kapsamına dahil olan uzun süt hortumunu ya da teslimat kapsamına dahil olan süt haznesini kullanın.

### Süt haznesinin bağlantısı

Caffeo® Passione® cihazının her modeli süt haznesine sahip değildir.



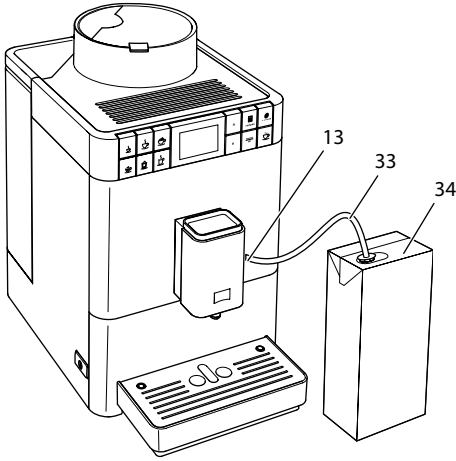
Resim 11: Bağlantısı yapılmış süt haznesi

1. Süt hortumunu (31) çıkış ünitesindeki bağlantıya (13) bağlayın.
2. Süt hortumunun diğer ucunu süt haznesine (32) bağlayın.

#### Bilgi

Dolu süt haznesini buzdolabında saklayın.

## Süt kutusunun bağlantısı



Resim 12: Bağlantısı yapılmış piyasada yaygın süt kutusu

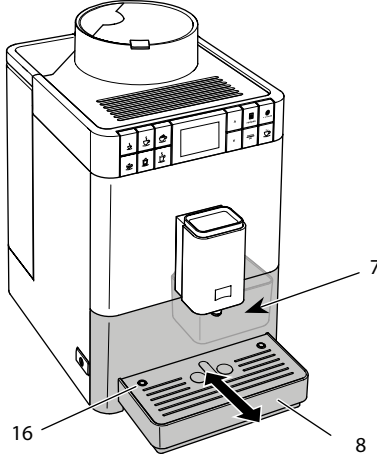
1. Uzun süt hortumunu (33) çıkış ünitesindeki bağlantıya (13) bağlayın.
2. Süt hortumunun diğer ucunu piyasada yaygın süt kutusuna (34) takın.

## 4.8 Damlama teknesinin ve kahve posası kabının boşaltılması

Birden fazla içecek alındıktan sonra damlama haznesi (8) ve kahve posası kabı (7) dolu olabilir. Yukarı çıkan şamandıra (16) damlama teknesinin güncel doluluk seviyesini gösterir.

Cihaz da belirli sayıda içecek alındıktan sonra damlama haznesinin ve kahve posası kabının dolu olduğunu gösterir.

Damlama teknesini ve kahve posası kabını daima boşaltın.



Resim 13: Damlama teknesinin ve kahve posası kabının boşaltılması

1. Damlama teknesini (8) öne doğru çekerek cihazdan çıkarın.
2. Kahve posası kabını (7) çıkarın ve boşaltın.
3. Damlama teknesini boşaltın.
4. Kahve posası kabını yerine takın.
5. Damlama teknesini yerine oturana kadar cihazın içine sürün.

### Bilgi

Cihaz kapalıyken damlama teknesini ve kahve posası kabını boşaltırsanız, cihaz bu işlemi algılayamaz. Bu nedenle, damlama teknesi ve kahve posası kabı henüz dolmamış olsa da, cihaz sizden boşaltma yapmanızı isteyebilir.



## 5 İçeceklerin hazırlanması

İçeceklerin hazırlanmasının iki yolu vardır:

- Aşağıda belirtildiği gibi standart içecek hazırlama
- Bir tarifin seçimi ve hazırlanışı (bkz. Bölüm 5.6 *Tariflerle başka içeceklerin hazırlanışı* Sayfa 116)

### **Bilgi**

- Standart içecek alımı veya bir tarif için ön ayarlar kalıcı olarak değiştirilebilir (bkz. Bölüm 6.1 *Ön ayarların değiştirilmesi* Sayfa 120).

Dikkatinize:

- Su haznesinde daima yeterli miktarda su olmalıdır. Doluluk seviyesi düşük ise cihaz sizden doldurmanızı isteyecektir.
- Çekirdek haznesinde de daima yeterli miktarda kahve çekirdekleri bulunmalıdır. Kahve çekirdeği kalmadığında içeceğin hazırlanışı cihaz tarafından iptal edilir.
- Cihaz süt eksikliğini göstermez.
- İçecekler için fincanlar yeterli büyüklükte olmalıdır (bkz. Tablo *Fabrika ayarları Sayfa 139*).

### 5.1 Espresso ve Café Crème hazırlanışı



**Ön koşul:** Ekranda hazır göstergesi belirmelidir.



1. Çıkışın altına bir fincan koyun.
2. "Espresso" veya "Café Crème" seçim tuşuna basın.
  - » Öğütme işlemi ve içecek çıkışı başlar.
  - » İçecek çıkışı otomatik olarak sonlandırılır.
3. Fincanı alın.
  - » Ekranda hazır göstergesi belirir.

## 5.2 Cappuccino hazırlanışı



**Ön koşullar:** Ekranada hazır göstergesi belirmeli ve süt bağlantısı yapılmış olmalıdır.

1. Çıkışın altına bir fincan koyun.
2. "Cappuccino" seçim tuşuna basın.
  - » Öğütme işlemi ve kahve çıkışı başlar.
  - » Kahve çıkışı otomatik olarak sonlandırılır.
  - » Süt çıkışı başlar.
  - » İçecek çıkışı otomatik olarak sonlandırılır.
3. Fincanı alın.
  - » Ekranada *Easy Cleaning?* (OK ile başlat) belirir.
4. Easy Cleaning programını işletebilir veya başka içecekler hazırlayabilirsiniz.
  - a) "Easy Cleaning" programını işletin. Ekranada verilen talimatlara uyun. Bu konuda bilgi için bkz. Bölüm 8.4 "Easy Cleaning" programının kullanımı Sayfa 127.
  - b) Diğer içecekleri hazırlayın ve Easy Cleaning programını daha sonra işletin.
  - » Ekranada hazır göstergesi belirir.

## 5.3 Latte Macchiato hazırlanışı



**Ön koşullar:** Ekranada hazır göstergesi belirmeli ve süt bağlantısı yapılmış olmalıdır.

1. Çıkışın altına bir fincan koyun.
2. "Latte Macchiato" seçim tuşuna basın.
  - » Süt çıkışı başlar.
  - » Süt çıkışı otomatik olarak sonlandırılır.
  - » Öğütme işlemi ve kahve çıkışı başlar.
  - » İçecek çıkışı otomatik olarak sonlandırılır.
3. Fincanı alın.
  - » Ekranada *Easy Cleaning?* (OK ile başlat) belirir.
4. Easy Cleaning programını işletebilir veya başka içecekler hazırlayabilirsiniz.
  - a) "Easy Cleaning" programını işletin. Ekranada verilen talimatlara uyun. Bu konuda bilgi için bkz. Bölüm 8.4 "Easy Cleaning" programının kullanımı Sayfa 127.
  - b) Diğer içecekleri hazırlayın ve Easy Cleaning programını daha sonra işletin.
  - » Ekranada hazır göstergesi belirir.

## 5.4 Süt köpüğü veya sıcak süt hazırlanışı



Süt köpüğü ve sıcak süt hazırlanışı birbirine benzemektedir.

**Ön koşullar:** Ekranda hazır göstergesi belirmeli ve süt bağlantısı yapılmış olmalıdır.

1. Çıkışın altına bir fincan koyun.
2. "Süt köpüğü/Sıcak süt" seçim tuşuna basın.
  - a) Süt köpüğü = Tuşa kısa basın
  - b) Sıcak süt = Tuşa uzun basın (2 saniye)
    - » Süt çıkışı başlar.
    - » İçecek çıkışı otomatik olarak sonlandırılır.
3. Fincanı alın.
  - » Ekranda *Easy Cleaning? (OK ile başlat) belirir.*
4. Easy Cleaning programını işletebilir veya başka içecekler hazırlayabilirsiniz.
  - a) "Easy Cleaning" programını işletin. Ekranda verilen talimatlara uyun. Bu konuda bilgi için bkz. Bölüm 8.4 "Easy Cleaning" programının kullanımı Sayfa 127.
  - b) Diğer içecekleri hazırlayın ve Easy Cleaning programını daha sonra işletin.
    - » Ekranda hazır göstergesi belirir.

## 5.5 Sıcak su hazırlanışı



**Ön koşul:** Ekranda hazır göstergesi belirmelidir.

1. Çıkışın altına bir fincan koyun.
2. "Sıcak su" seçim tuşuna basın.
  - » Sıcak su çıkışı başlar.
  - » İçecek çıkışı otomatik olarak sonlandırılır.
3. Fincanı alın.
  - » Ekranda hazır göstergesi belirir.

## 5.6 Tariflerle başka içeceklerin hazırlanışı



Standart içecek alımının yanı sıra *Tarifler* menüsünde başka kahve spesiyaliteleri seçebilirsiniz. Aşağıda belirtilen kahve spesiyalitelerini seçebilirsiniz:

Sütsüz kahve spesiyaliteleri:

- Ristretto
- Lungo
- Americano

Sütlü kahve spesiyaliteleri:

- Espresso Macchiato
- Caffè Latte
- Café au Lait

### Ristretto, Lungo veya Americano hazırlanışı

Ristretto, Lungo ve Americano spesiyalitelerinin hazırlanışı birbirine benzer. Burada örnek olarak Ristretto hazırlanışı tarif edilmiştir.

**Ön koşul:** Ekranda hazır göstergesi belirmelidir.

1. Çıkışın altına bir fincan koyun.
2. "Tarifler" kumanda tuşuna basın.
  - » *Tarifler* menüsü ekranda belirir.
3. Ok tuşlarıyla *Ristretto* seçimini yapın.
4. Seçiminizi "menu/ok" ile onaylayın.
  - » Öğütme işlemi ve içecek çıkışı başlar.
  - » İçecek çıkışı otomatik olarak sonlandırılır.
5. Fincanı alın.
  - » Ekranda hazır göstergesi belirir.

### Espresso Macchiato, Caffè Latte veya Café au Lait hazırlanışı

Espresso Macchiato, Caffè Latte ve Café au Lait spesiyalitelerinin hazırlanışı birbirine benzer. Burada örnek olarak Espresso Macchiato hazırlanışı tarif edilmiştir.

**Ön koşullar:** Ekranda hazır göstergesi belirmeli ve süt bağlantısı yapılmış olmalıdır.

1. Çıkışın altına bir fincan koyun.
2. "Tarifler" kumanda tuşuna basın.
  - » *Tarifler* menüsü ekranda belirir.

3. Ok tuşlarıyla *Espresso Macchiato* seçimini yapın.
  4. Seçiminizi “menu/ok” ile onaylayın.
    - » Öğütme işlemi ve kahve çıkışı başlar.
    - » Kahve çıkışı otomatik olarak sonlandırılır.
    - » Süt çıkışı başlar.
    - » İçecek çıkışı otomatik olarak sonlandırılır.
  5. Fincanı alın.
    - » Ekranda *Easy Cleaning? (OK ile başlat) belirir.*
  6. Easy Cleaning programını işletebilir veya başka içecekler hazırlayabilirsiniz.
    - a) “Easy Cleaning” programını işletin. Ekranda verilen talimatlara uyun. Bu konuda bilgi için bkz. Bölüm 8.4 “*Easy Cleaning*” programının kullanımı Sayfa 127.
    - b) Diğer içecekleri hazırlayın ve Easy Cleaning programını daha sonra işletin.
- » Ekranda hazır göstergesi belirir.

## 5.7 Hazırlama sırasında ve öncesinde içecek ayarlarının değiştirilmesi

İçecek hazırlama sırasında ve öncesinde içecek ayarlarını değiştirebilirsiniz.

### Bilgi

Aşağıda belirtilen ayarlar sadece anlık hazırlanan içecek için geçerlidir.

### Hazırlama öncesinde içecek ayarlarının değiştirilmesi

Toplam içecek miktarını ve kahve sertliğini içecek seçiminden önce değiştirebilirsiniz.



- İçecek seçiminden önce içecek miktarını ok tuşlarıyla ayarlayın.
- İçecek seçiminden önce “Kahve sertliği” kumanda tuşuyla kahvenin sertliğini ayarlayın.

**Bilgi**

- Karışık içecekler hazırlanırken toplam içecek miktarı önceden belirlenmiş oranda paylaşılır. Bu, sütlü veya sıcak sulu kahveden oluşan karışık içecekler için geçerlidir.
- 1 dakika içerisinde içecek hazırlamazsanız, cihaz standart ayarlara geçer.

**Hazırlama sırasında içecek ayarlarının değiştirilmesi**

İçecek hazırlama sırasında içecek miktarını ve kahve sertliğini değiştirebilirsiniz.



- İçecek çıkışı sırasında ok tuşlarıyla içecek miktarını ayarlayın.
- Öğütme işlemi sırasında "Kahve sertliği" kumanda tuşuyla kahvenin sertliğini ayarlayın.

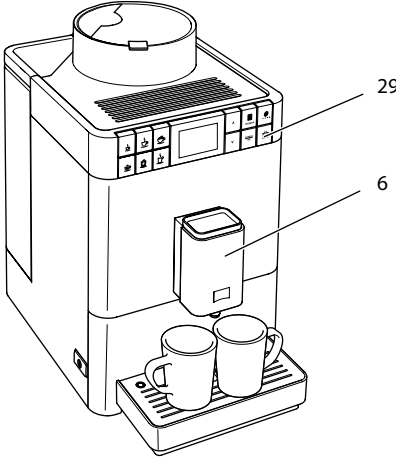
**5.8 İçecek hazırlanışının iptali**

İçecek hazırlanışını iptal etmek istiyorsanız, herhangi bir seçim tuşuna basın.

## 5.9 Aynı anda iki içecek hazırlanışı



“İki fincan” kumanda tuşuyla aynı anda iki içecek hazırlayabilirsiniz. Çift fincan alımı sadece örneğin Espresso, Café Crème, Ristretto gibi sade kahve alımında mümkündür. Sıcak su, sıcak süt ve tüm karışık içeceklerde çift fincan alımı mümkün değildir.



Resim 14: İki fincan alımı

1. Çıkışın (6) altına iki fincan koyun.
2. “İki fincan” kumanda tuşuna (29) basın.
3. Söz konusu içeceğin hazırlanışında tarif edildiği gibi hareket edin.

### **1** Bilgi

- Ayar sadece tek bir içecek hazırlanışı için geçerlidir.
- 1 dakika içerisinde içecek hazırlamazsanız, cihaz tek fincanlık alıma geçer.

## 6 İçecek ayarlarının kalıcı olarak değiştirilmesi

Cihaz, kahve spesiyaliteleri hazırlamanız için başka olanaklar da sunmaktadır. Örneğin ön ayarlı tarifler kullanabilir veya içecek ayarlarını kalıcı olarak değiştirebilirsiniz.

### 6.1 Ön ayarların değiştirilmesi

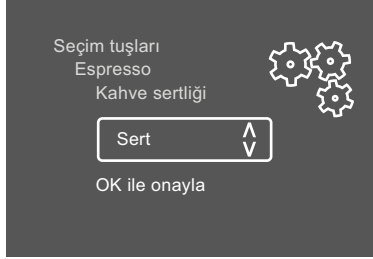
İçeceğe bağlı olarak aşağıdaki ön ayarları değiştirebilirsiniz:

- **Kahve miktarı:** 25 ml ile 220 ml arası
- **Süt miktarı veya süt köpüğü miktarı:** 25 ml ile 220 ml arası
- **Sıcak su miktarı:** 25 ml ile 220 ml arası
- **Kahve sertliği:** Çok hafif, hafif, normal, sert, çok sert
- **Sıcaklık:** Düşük, normal, yüksek.

#### Bilgi

Değiştirilen ön ayarlar tekrar değiştirilene kadar geçerli kalır.

İçecek ayarlarının değiştirilmesi içeceklerin hepsinde aynıdır. Burada örnek olarak Espresso için kahve sertliğinin değiştirilmesi tarif edilecektir.



Resim 15: Kahve sertliği ayarı

**Ön koşul:** Ekranda hazır göstergesi belirmelidir.

1. "menu/ok" kumanda tuşuna 2 saniyeden uzun basın.
    - » Menü ekranda belirir.
  2. Seçim tuşları > Espresso > Kahve sertliği menüsüne gidin.
  3. Ok tuşlarıyla istediğiniz kahve sertliğini seçin ve "menu/ok" ile onaylayın.
  4. Menüden çıkmak için tekrar Çık komutunu seçin.
    - » Ekranda hazır göstergesi belirir.
- » Bundan böyle Espresso hazırlanırken yeni seçilen kahve sertliği kullanılacaktır.



## 7 Temel ayarların deęiřtirilmesi

Bu bölümde, cihazın temel ayarlarını deęiřtirmeye yarayan kumanda adımları tarif edilecektir.

### 7.1 Dil ayarı

Ekran metinlerinin dilini ayarlayabilirsiniz.

**Ön kořul:** Ekranda hazır göstergesi belirmelidir.

1. "menu/ok" kumanda tuřuna 2 saniyeden uzun basın.
  - » Menü ekranda belirir.
2. *Dil* menüsüne gidin.
3. Ok tuřlarıyla dil seçimini yapın ve "menu/ok" ile onaylayın.
4. *Çık* komutuyla menüyü terk edin.
  - » Ekranda hazır göstergesi belirir.

### 7.2 Otomatik kapanmanın ayarlanması

Cihazı uzun süre kullanmazsanız, cihaz belirlenen süre sonunda otomatik olarak kapanır. Bu süreyi *Otom. kapat* menüsünde ayarlayabilirsiniz.

#### Otomatik kapanma için süre ayarı

**Ön kořul:** Ekranda hazır göstergesi belirmelidir.

1. "menu/ok" kumanda tuřuna 2 saniyeden uzun basın.
  - » Menü ekranda belirir.
2. *Otom. kapat* menüsüne gidin.
3. Ok tuřlarıyla bir süre seçin ve "menu/ok" ile onaylayın.
4. *Çık* komutuyla menüyü terk edin.
  - » Ekranda hazır göstergesi belirir.

#### Bilgi

Otomatik kapatma komple deaktive edilemez. Kumanda gerçekteřmedięinde cihaz en geç 8 saat sonra kapanır.

### 7.3 Enerji tasarruf modunun ayarlanması

Enerji tasarruf modu ısıtma sıcaklıęını düşürür.

Cihazı uzun süre kullanmazsanız, cihaz belirlenen süre sonunda otomatik olarak enerji tasarruf moduna geer. Ardından ekranda *Herhangi bir tuřa basın* talebi belirir. Bunu yaptıęınızda enerji tasarruf modu sonlandırılır.

*Enerji tasarruf modu* menüsünde enerji tasarruf modunun aktive edileceęi süre ayarlanır.

**Ön kořul:** Ekranda hazır göstergesi belirmelidir.

1. “menu/ok” tuřuna 2 saniyeden uzun basın.
  - » Menü ekranda belirir.
2. *Enerji tasarruf modu* menüsüne gidin.
3. Ok tuřlarıyla süre seimini yapın ve “menu/ok” ile onaylayın.
4. Çık komutuyla menüyü terk edin.

» Ekranda hazır göstergesi belirir.

#### Bilgi

Enerji tasarruf modu komple deaktive edilemez. Kumanda geerleřmedięinde cihaz en ge 4 saat sonra enerji tasarruf moduna geer.

### 7.4 Cihazın fabrika ayarlarına dönüş

Cihazın fabrika ayarlarına dönmesini sağlayabilirsiniz.

#### Bilgi

Cihazı fabrika ayarlarına getirdięinizde tüm kiřisel ayarlar silinir.

**Ön kořul:** Ekranda hazır göstergesi belirmelidir.

1. “menu/ok” tuřuna 2 saniyeden uzun basın.
    - » Menü ekranda belirir.
  2. *Sistem > Fabrika ayarları* menüsüne gidin.
  3. Ok tuřlarıyla *Sıfırla* seimini yapın ve “menu/ok” ile onaylayın.
- » Ekranda hazır göstergesi belirir.

## 7.5 Cihaz durumuna iliřkin bilgiler

Cihaz durumuna iliřkin bilgilere *Sistem > İstatistik* menüsünden ulařabilirsiniz. Menülerden çıkmak için “menu/ok” tuřuna basın.

Ařaęıdaki tablo bilgilerin anlamı hakkında genel bakıř sunmaktadır.

Bilgi	Anlamı
<i>Topl. iecek sayısı</i>	İřletime alındıktan sonra hazırlanan ieceklerin toplam sayısı.
<i>Kire özüldü</i>	Yapılan kire özme iřlemlerinin sayısı.
<i>Kahve sistemi temizlendi</i>	Yapılan temizlemelerin sayısı.
<i>Süt sistemi temizlendi</i>	Yapılan temizlemelerin sayısı.
<i>Filtre deęiřtirildi</i>	Gerekleřen filtre deęiřim sayısı.

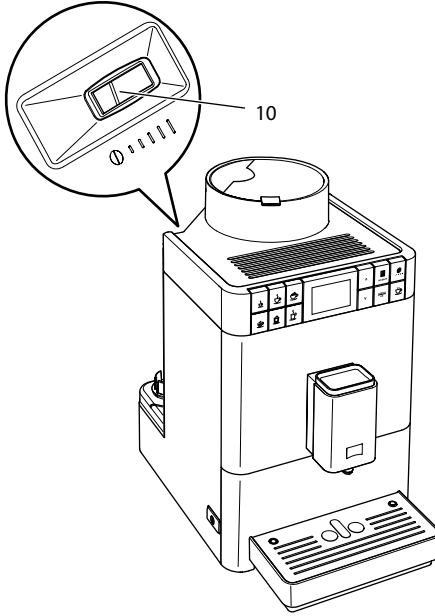
İlerleme ubukları, cihaz temizlik, kire özme veya filtre deęiřimi talep edene kadar kalan iecek sayısını gösterir.

### Yazılım sürümü

Kurulu olan yazılım sürümü hakkında bilgiyi *Sistem > Yazılım sürümü* menüsü üzerinden edinebilirsiniz. Menülerden çıkmak için “menu/ok” tuřuna basın.

## 7.6 Öęütme derecesinin ayarlanması

Kahve tozunun öęütölme derecesi kahvenin tadını etkiler. Öęütme derecesi teslim öncesinde en uygun ayara getirilmiřtir. Öęütme derecesini en erken yaklaşık 1000 adet kahve alımından sonra (yaklařık 1 yıl sonra) ayarlamayı öneririz.



Resim 16: Öęütme derecesi ayar kolu

1. Su haznesini çıkarın.
  - » Gövdede “Öęütme derecesi ayar” kolu (10) görölür.
2. Resim 16’de görüldüęü gibi kolu sola veya saęa doęru ayarlayın.
  - Sola = Öęütme derecesi ince
  - Saęa = Öęütme derecesi kaba
3. Su haznesine yerine takın.

### Bilgi

- Öęütme derecesini daha ince ayarlarsanız, kahvenin tadı daha yoęun olur.
- Kahve düzenli řekilde çıkıř ünitesinden akıyorsa ve ince, yoęun bir Crema oluşuyorsa, öęütme derecesi doęru ayarlanmıřtır.

## 8 Koruyucu bakım ve periyodik bakım

Düzenli koruyucu ve periyodik bakım sayesinde içeceklerinizin kalitesinin yüksek kalmasını sağlarsınız.

### 8.1 Genel temizlik

Cihazı düzenli aralıklarla temizleyin. Süt ve kahveden oluşan dış kirlenmeleri derhal giderin.

#### DİKKAT

**Uygun olmayan temizleme maddelerinin kullanılması yüzeylerin çizilmesine yol açabilir.**

- Aşındırıcı bezler, süngerler ve temizleme maddeleri kullanmayın.

**Ön koşul:** Cihaz kapalı olmalıdır.

- Cihazın dış yüzeylerini yumuşak, nemli bir bez ve sıradan bulaşık deterjanıyla temizleyin.
- Damlama teknesini ve kahve posası kabını yıkayın. Bunun için yumuşak ve nemli bir bez ve sıradan bulaşık deterjanı kullanın.
- Çekirdek haznesini yumuşak, kuru bir bezle temizleyin.
- Kahve posası kabı (7), fincan paneli (15) ve süt haznesi (kapak, süt hortumu ve boru hariç) bulaşık makinesinde yıkanabilir.

### 8.2 Kahve sisteminin yıkanması

Yıkama sırasında çıkıştaki nozullar ve kahve sisteminin içte kalan parçaları yıkanır. Böylece iç kısımdan damlama teknesine yıkama suyu da akabilir.

Açma ve kapama sırasında cihaz otomatik yıkama yapar.

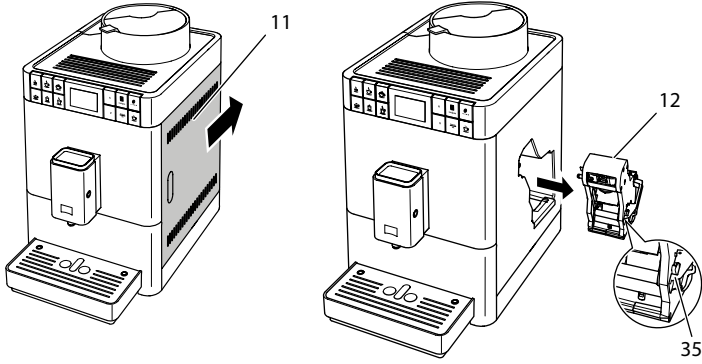
Yıkamayı manuel olarak da yapabilirsiniz:

**Ön koşul:** Ekranda hazır göstergesi belirmelidir.

1. Çıkışın altına bir fincan koyun.
2. "menu/ok" tuşuna 2 saniyeden uzun basın.
  - » Menü ekranda belirir.
3. *Koruyucu bakım* > *Yıkama* menüsüne gidin.
  - » Cihaz otomatik yıkama yapar.
  - » Ekranda hazır göstergesi belirir.

### 8.3 Pişirme ünitesinin çıkarılması ve temizlenmesi

Cihazda hasar oluşmasını önlemek için pişirme ünitesini haftada bir kez temizlemenizi öneririz.

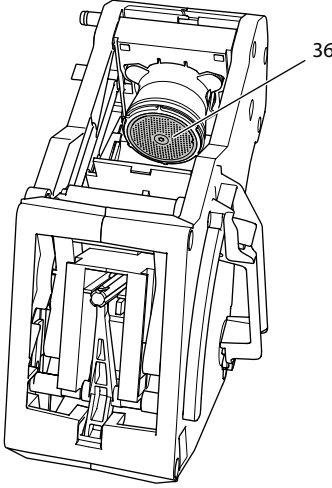


Resim 17: Pişirme ünitesinin çıkarılması

**Ön koşul:** Cihaz kapalı olmalıdır.

1. Kapağı (11) açın. Bunun için cihazın sağ tarafındaki yuvaya elinizi sokun ve kapağı arkaya doğru itin. Kapağı alın.
2. Pişirme ünitesinin (35) kulpundaki kırmızı kola (12) bastırın ve tutun, ardından kulpu saat yönünde yerine oturuncaya dek sonuna kadar çevirin.

3. Pişirme ünitesini kulptan çekerek cihazdan çıkarın.



Resim 18: Pişirme ünitesinin temizlenmesi

4. Pişirme ünitesini akan suyun altında her tarafından iyice yıkayın.
  - » Pişirme ünitesi ve süzgeç (36) kahve artıklarından arınmış olmalıdır.
5. Pişirme ünitesinin suyu damlayana kadar bekleyin.
6. Yumuşak ve kuru bir bezle cihazın içindeki kahve artıklarını temizleyin.
7. Pişirme ünitesini cihaza yerleştirin. Pişirme ünitesinin kulpundaki kırmızı kola bastırın ve tutun, ardından kulpu saat yönünün tersine yerine oturuncaya dek sonuna kadar çevirin.
8. Kapağı kapatın. Bunun için kapağı yerleştirin ve yerine oturana kadar öne doğru sürün.

## 8.4 “Easy Cleaning” programının kullanımı

“Easy Cleaning” programıyla süt sistemi yıkanır.

Sütlü bir içecek hazırlandıktan sonra cihaz Easy Cleaning programını işletmenizi ister.

Easy Cleaning programını manuel olarak da işletebilirsiniz.

**Ön koşul:** Ekranda hazır göstergesi belirmelidir.

1. Çıkışın altına bir fincan koyun.
2. “menu/ok” tuşuna 2 saniyeden uzun basın.
  - » Menü ekranda belirir.
3. Koruyucu bakım > Easy Cleaning menüsüne gidin.

4. Ok tuşlarıyla *Başlat* seçimini yapın ve “menu/ok” ile onaylayın.
  5. Easy Cleaning programı tamamlanana kadar ekranda verilen diğer talimatlara uyun.
- » Ekranda hazır göstergesi belirir.

## 8.5 “Süt sistemini temizle” programının kullanımı

Süt sisteminin temizlenmesi için süt sistemi temizleyicisi gereklidir.

Hijyeni korumak ve cihazda hasarları önlemek için temizlik programının haftada bir kez uygulanmasını öneririz.

Temizlik programı yaklaşık 3 dakika sürer ve yarıda kesilmemelidir.

### DİKKAT

**Uygun olmayan süt sistemi temizleyicilerinin kullanılması cihazda hasarlara yol açabilir.**

- Sadece Melitta® PERFECT CLEAN Espresso Machines süt sistemi temizleyicisini kullanın.

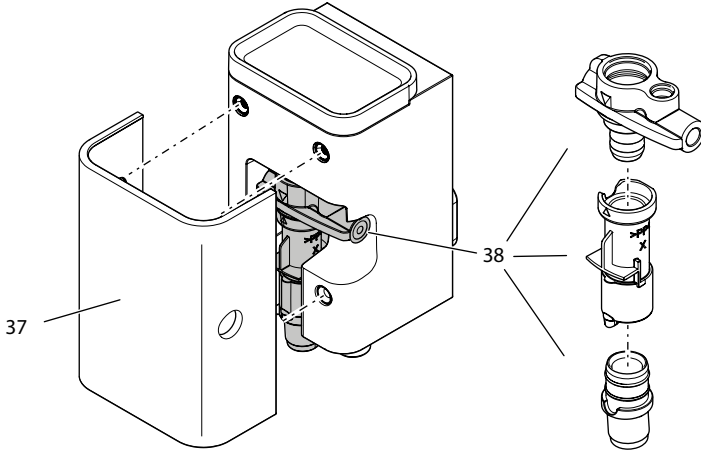
**Ön koşul:** Ekranda hazır göstergesi belirmelidir.

1. Çıkışın altına kahve posası kabını (7) veya en az 0,7 litre kapasiteli bir kâbi koyun.
  2. “menu/ok” tuşuna 2 saniyeden uzun basın.
    - » Menü ekranda belirir.
  3. *Koruyucu bakım > Süt sistemi temizliği* menüsüne gidin.
  4. Ok tuşlarıyla *Başlat* seçimini yapın ve “menu/ok” ile onaylayın.
  5. Temizlik programı tamamlanana kadar ekranda verilen talimatlara uyun.
- » Ekranda hazır göstergesi belirir.



## Süt ünitesinin temizlenmesi

Ayrıca süt ünitesi, süt hortumu ve süt haznesinin de (modele göre) düzenli olarak temizlenmesini öneririz.



Resim 19: Süt ünitesinin çıkarılması

Süt ünitesini çıkarmak için aşağıda belirtildiği gibi hareket edin:

**Ön koşul:** Süt hortumu cihazdan çıkarılmış olmalıdır.

1. Kapağı (37) çıkıştan öne doğru çekerek alın.
2. Süt ünitesini (38) aşağıya doğru çekin ve çıkarın.
3. Süt ünitesini yukarıda gösterildiği gibi üç parçaya ayırın.
4. Parçaları sıcak suyla temizleyin. Teslimat kapsamındaki temizleme fırçasını, yumuşak ve nemli bir bez ve sıradan bulaşık deterjanı kullanın.

Montaj, işlemleri tersine takip ederek gerçekleştirilir.

## 8.6 “Kahve sistemini temizle” programının kullanımı

“Kahve sistemini temizle” programıyla kalıntılar ve kahve yağı artıkları kahve otomatı temizleyicisi yardımıyla giderilir.

Cihazda hasarları önlemek için temizlik programının 2 ayda bir veya cihazın talep ettiği zamanlarda uygulanmasını öneririz.

Temizlik programı yaklaşık 10 dakika sürer ve yarıda kesilmemelidir.

### ⚠ UYARI

**Kahve otomatı temizleme maddeleriyle temas, gözlerde ve ciltte tahrişlere sebep olabilir.**

- Kahve otomatı temizleme maddesinin ambalajı üzerinde yer alan kullanım uyarılarını dikkate alın.

### DİKKAT

**Uygun olmayan kahve otomatı temizleyicilerinin kullanılması cihazda hasarlara yol açabilir.**

- Sadece Melitta® PERFECT CLEAN Espresso Machines temizlik tabletlerini kullanın.

**Ön koşul:** Ekranda hazır göstergesi belirmelidir.

1. “menu/ok” tuşuna 2 saniyeden uzun basın.
  - » Menü ekranda belirir.
2. *Koruyucu bakım* > *Kahve sistemi temizliği* menüsüne gidin.
3. Ok tuşlarıyla *Başlat* seçimini yapın ve “menu/ok” ile onaylayın.
4. Temizlik programı tamamlanana kadar ekranda verilen talimatlara uyun.
  - » Ekranda hazır göstergesi belirir.

## 8.7 “Kireç çöz” programının kullanımı

Kireç çözme programı, cihazın içindeki kireç artıklarını kahve otomatı kireç çözücü maddesiyle temizler.

Cihazda hasarları önlemek için kireç çözme programının 3 ayda bir veya cihazın talep ettiği zamanlarda uygulanmasını öneririz.

Kireç çözme programı yaklaşık 25 dakika sürer ve yarıda kesilmemelidir.

### **⚠ UYARI**

**Kahve otomatı kireç çözücülerıyla temas, gözlerde ve ciltte tahrişlere sebep olabilir.**

- Kahve otomatı kireç çözücülerin ambalajı üzerinde yer alan kullanım uyarılarını dikkate alın.

### *DİKKAT*

**Uygun olmayan kireç çözücü maddenin kullanılması cihazda hasarlara yol açabilir.**

- Sadece Melitta® ANTI CALC Espresso Machines sıvı kireç çözücüyü kullanın.

### *DİKKAT*

**Takılı olan su filtresi kireç çözme programı boyunca hasar görebilir.**

- Cihazın talebi doğrultusunda su filtresini çıkarın.
- Kireç çözme programı boyunca su filtresini içinde musluk suyu bulunan bir kabın içine koyun.
- Kireç çözme programı tamamlandıktan sonra su filtresini tekrar takabilir ve kullanabilirsiniz.

**Ön koşul:** Ekranda hazır göstergesi belirmelidir.

1. “menu/ok” tuşuna 2 saniyeden uzun basın.
  - » Menü ekranda belirir.
2. *Koruyucu bakım* > *Kireç çöz* menüsüne gidin.
3. Ok tuşlarıyla *Başlat* seçimini yapın ve “menu/ok” ile onaylayın.
4. Kireç çözme programı tamamlanana kadar ekranda verilen talimatlara uyun.
  - » Ekranda hazır göstergesi belirir.

## 8.8 Su sertliğinin ayarlanması

Su sertliği ayarıyla cihazın sizden hangi sıklıkla kireç çözme işlemini talep edeceği belirlenir. Su ne kadar sert olursa, cihazın o denli sık kireçten arındırılması gerekir.

### Bilgi

Su filtresi kullanıyorsanız su sertliğini ayarlamanız mümkün değildir. Su sertliği otomatik olarak 1 = *Yumuşak* ayarındadır (bkz. Bölüm 8.9 *Su filtresinin kullanımı* Sayfa 133).

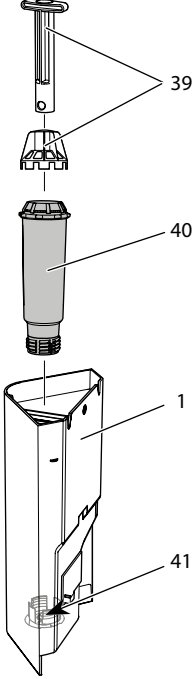
Teslimat kapsamındaki test şeritleriyle suyun sertliğini belirleyin. Test şeritlerinin ambalajında ve *Su sertlik aralığı Sayfa 138* tablosunda yer alan bilgileri dikkate alın.

**Ön koşul:** Ekranda hazır göstergesi belirmelidir.

1. "menu/ok" tuşuna 2 saniyeden uzun basın.
  - » Menü ekranda belirir.
2. Ok tuşlarıyla *Su sertliği* menüsüne gidin.
3. Ok tuşlarıyla su sertlik aralığını seçin ve "menu/ok" ile onaylayın.
4. *Çık* komutuyla menüyü terk edin.
  - » Ekranda hazır göstergesi belirir.

## 8.9 Su filtresinin kullanımı

Su filtresinin kullanılması cihazın ömrünü uzatır ve cihazı o kadar sık kireçten arındırmanız gerekmez. Teslimat kapsamındaki su filtresi suyun içindeki kireç ve diğer zararlı maddeleri filtreler.



Resim 20: Su filtresinin takılması veya çıkarılması

Su filtresi (40), takma yardımcı elemanı (39) su haznesinin (1) tabanındaki dişli yuvaya (41) takılır veya çıkarılır.

## Su filtresinin takılması

### Bilgi

Su filtresini yerleştirmeden önce birkaç dakika boyunca taze musluk suyu içeren bir kabin içine koyun.

**Ön koşul:** Ekranda hazır göstergesi belirmelidir.

1. “menu/ok” tuşuna 2 saniyeden uzun basın.
    - » Menü ekranda belirir.
  2. *Koruyucu bakım > Filtre > Filtreyi yerleştir* menüsüne gidin.
  3. Ok tuşlarıyla *Başlat* seçimini yapın ve “menu/ok” ile onaylayın.
  4. Ekranda verilen talimatlara uyun.
    - » Su sertliği otomatik olarak *Yumuşak* ayarlıdır.
- » Ekranda hazır göstergesi belirir.

## Su filtresinin değiştirilmesi

Cihazın talebi doğrultusunda su filtresini değiştirin.

**Ön koşul:** Ekranda hazır göstergesi belirmelidir.

1. “menu/ok” tuşuna 2 saniyeden uzun basın.
    - » Menü ekranda belirir.
  2. *Koruyucu bakım > Filtre > Filtreyi değiştir* menüsüne gidin.
  3. Ok tuşlarıyla *Başlat* seçimini yapın ve “menu/ok” ile onaylayın.
  4. Ekranda verilen talimatlara uyun.
- » Ekranda hazır göstergesi belirir.

## Su filtresinin çıkarılması

Su filtresi uzun bir süre kuru kalmamalıdır. Su filtresi uzun süre kullanılmadığında, musluk suyu içeren bir kabın içinde buzdolabında saklanmasını öneririz.

Su filtresini şu şekilde çıkarın:

**Ön koşul:** Ekranda hazır göstergesi belirmelidir.

1. “menu/ok” tuşuna 2 saniyeden uzun basın.
  - » Menü ekranda belirir.
2. *Koruyucu bakım > Filtre > Filtreyi çıkar* menüsüne gidin.
3. Ok tuşlarıyla *Başlat* seçimini yapın ve “menu/ok” ile onaylayın.
4. Ekranda verilen talimatlara uyun.
  - » Su sertliği otomatik olarak önceki ayara geçer.
- » Ekranda hazır göstergesi belirir.
5. Gerekirse su sertliğini yeniden ayarlayın (bkz. Bölüm 8.8 *Su sertliğinin ayarlanması* Sayfa 132).

## 9 Arızalar

Aşağıda belirtilen önlemlerle arızaların giderilemediği veya burada belirtilmeyen daha başka arızaların belirdiği hallerde lütfen müşteri hattını arayın (şehir içi görüşme tarifi).

Almanya: + 49 (0)571/ 861 900

Arıza	Sebebi	Önlem
Kahve sadece damlalar halinde çıkış ünitesinden akıyor.	Öğütme derecesi fazla ince.	<ul style="list-style-type: none"> <li>Daha kaba bir öğütme derecesi ayarlayın (bkz. Bölüm 7.6 Sayfa 124).</li> </ul>
	Cihaz kirli.	<ul style="list-style-type: none"> <li>Pişirme ünitesini temizleyin (bkz. Bölüm 8.3 Sayfa 126).</li> <li>Temizlik programını uygulayın (bkz. Bölüm 8.6 Sayfa 130).</li> </ul>
	Cihazda kireçlenme var.	<ul style="list-style-type: none"> <li>Cihazın kirecini çözün (bkz. Bölüm 8.7 Sayfa 131).</li> </ul>
Kahve akıyor.	Su haznesi dolu değil veya doğru yerleştirilmedi.	<ul style="list-style-type: none"> <li>Su haznesini doldurun ve doğru yerleşmesine dikkat edin (bkz. Bölüm 4.5 Sayfa 108).</li> </ul>
	Pişirme ünitesi tıkanmış.	<ul style="list-style-type: none"> <li>Pişirme ünitesini temizleyin (bkz. Bölüm 8.3 Sayfa 126).</li> </ul>
Çekirdek haznesi dolu olmasına rağmen ekranda <i>Çekirdek doldurun</i> uyarısı beliriyor.	Kahve çekirdekleri öğütücüye düşmüyor.	<ul style="list-style-type: none"> <li>Bir seçim tuşuna basın.</li> <li>Çekirdek haznesine hafifçe vurun.</li> <li>Çekirdek haznesini temizleyin.</li> <li>Kahve çekirdekleri fazla yağlı. Başka kahve çekirdekleri kullanın.</li> </ul>
Öğütücüden yüksek sesler geliyor.	Öğütücüde yabancı cisim var.	<ul style="list-style-type: none"> <li>Müşteri hattını arayın.</li> </ul>
Pişirme ünitesi çıkarıldıktan sonra tekrar yerleştirilemiyor.	Pişirme ünitesinin kilit mekanizmasının kolu doğru pozisyonda değil.	<ul style="list-style-type: none"> <li>Kilit mekanizması kolunun düzgün bir şekilde yerine oturup oturmadığını kontrol edin (bkz. Bölüm 8.3 Sayfa 126).</li> </ul>
	Tahrik ünitesi doğru pozisyonda değil.	<ul style="list-style-type: none"> <li>"Kahve sertliği" tuşuna basın ve basılı tutun. Ayrıca "Açma/Kapama" düğmesine basın. Cihaz yeniden başlatılacaktır. Tuşları bırakın.</li> </ul>
Ekranda <i>Sistem hatası</i> uyarısı beliriyor.	Yazılım arızası.	<ul style="list-style-type: none"> <li>Cihazı kapatın ve tekrar açın (bkz. Bölüm 4.1 Sayfa 104).</li> <li>Müşteri hattını arayın.</li> </ul>



## 10 Nakliye, depolama ve imha

### 10.1 Cihazın buharının boşaltılması

Cihaz uzun süre kullanılmadığında, nakliye öncesinde ve don tehlikesi halinde cihazın buharının boşaltılmasını öneririz.

Buhar boşaltma sırasında cihazın içinde kalan su boşaltılır.

**Ön koşul:** Ekranda hazır göstergesi belirmelidir.

1. Çıkışın altına bir fincan koyun.
2. "menu/ok" tuşuna 2 saniyeden uzun basın.
  - » Menü ekranda belirir.
3. *Sistem > Buhar boşalt* menüsüne gidin.
4. Ok tuşlarıyla *Başlat* seçimini yapın ve "menu/ok" ile onaylayın.
5. Ekranda verilen talimatlara uyun.
  - » Cihaz kapanır.

### 10.2 Cihazın nakliyesi

#### DİKKAT

**Donan artık su cihazda hasarlara yol açabilir.**

- Cihazın 0 °C altında derecelere maruz kalmasını önleyin.

#### Bilgi

Cihazı orijinal ambalajında nakledin. Böylece nakliye hasarlarını önlemiş olursunuz.

Cihazı nakletmeden önce aşağıda belirtilen çalışmaları yapın:

1. Cihazın buharını boşaltın (bkz. Bölüm 10.1 *Cihazın buharının boşaltılması* Sayfa 137).
2. Damlama teknesini ve kahve posası kabını boşaltın.
3. Su haznesini boşaltın.
4. Çekirdek haznesini boşaltın.
5. Cihazı temizleyin (bkz. Bölüm 8.1 *Genel temizlik* Sayfa 125).
6. Takılı olmayan parçaları (fincan paneli vs.) uygun bir yapıştırma bandıyla sabitleyin.
7. Cihazın ambalajını yapın.

### 10.3 Cihazın imhası



Bu sembole işaretli olan cihazlar 2002/96/AB sayılı Avrupa Direktifi'ne (Waste Electrical and Electronic Equipment) uygundur.

■ Elektrikli ev aletleri ev çöpüne atılmamalıdır.

- Cihazı lütfen uygun toplama sistemleri ile çevreye zarar vermeyecek şekilde imha edin.

## 11 Teknik veriler

Teknik veriler	
Çalışma voltajı	220 V ile 240 V arası, 50 Hz
Güç girişi	Maksimum 1450 W
Pompa basıncı	Sabit maksimum 15 bar
Ebatlar	
Genişlik	253 mm
Yükseklik	390 mm
Derinlik	380 mm
Kapasite	
Çekirdek haznesi	125 g
Su haznesi	1,2 l
Alınan içeceğin miktarı	25 ml ile 220 ml arası
Ağırlık (boş)	8,5 kg
Çevre koşulları	
Sıcaklık	10 °C ile 32 °C arası
Göreceli hava nem oranı	%30 ile %80 arası (yoğunlaşmasız)

Su sertlik aralığı	°d	°e	°f
Yumuşak	0 ile 10 arası	0 ile 13 arası	0 ile 18 arası
Orta	10 ile 15 arası	13 ile 19 arası	18 ile 27 arası
Sert	15 ile 20 arası	19 ile 25 arası	27 ile 36 arası
Çok sert	>20	>25	>36

Fabrika ayarları		
Espresso	İçecek miktarı	40 ml
	Kahve sertliği	Sert
	Piştirme sıcaklığı	Normal
Café Crème	İçecek miktarı	120 ml
	Kahve sertliği	Sert
	Piştirme sıcaklığı	Normal
Cappuccino	İçecek miktarı	130 ml
	Kahve sertliği	Sert
	Piştirme sıcaklığı	Normal
Latte Macchiato	İçecek miktarı	190 ml
	Kahve sertliği	Sert
	Piştirme sıcaklığı	Normal
Süt	Köpük miktarı	180 ml
	Süt miktarı	180 ml
Sıcak su	İçecek miktarı	180 ml



## Spis treści

<b>1</b>	<b>Dla Waszego bezpieczeństwa.....</b>	<b>143</b>
1.1	Stosowane symbole.....	143
1.2	Zastosowanie zgodne z przeznaczeniem .....	144
1.3	Zagrożenie porażenia prądem elektrycznym.....	144
1.4	Niebezpieczeństwo oparzenia i poparzenia.....	145
1.5	Bezpieczeństwo ogólne .....	145
<b>2</b>	<b>Zestawienie urządzeń.....</b>	<b>146</b>
2.1	Zarys urządzenia .....	146
2.2	Zarys panelu obsługi .....	148
<b>3</b>	<b>Pierwsze kroki .....</b>	<b>149</b>
3.1	Rozpakowanie urządzenia.....	149
3.2	Sprawdzenie zakresu dostawy.....	149
3.3	Instalacja urządzenia .....	150
3.4	Podłączenie urządzenia.....	150
3.5	Pierwsze włączenie urządzenia.....	150
<b>4</b>	<b>Podstawowa obsługa .....</b>	<b>152</b>
4.1	Włączanie i wyłączanie urządzenia .....	152
4.2	Posługiwanie się panelem obsługi .....	153
4.3	Nawigacja w menu.....	153
4.4	Napełnianie pojemnika ziaren kawą ziarnistą.....	155
4.5	Nalewanie wody.....	156
4.6	Ustawianie wylewu .....	157
4.7	Stosowanie mleka.....	158
4.8	Opróżnianie pojemnika na skropliny i pojemnika na fusy.....	160
<b>5</b>	<b>Przyrządzanie różnych rodzajów kaw .....</b>	<b>161</b>
5.1	Przyrządzanie Espresso lub Café Crème .....	161
5.2	Przyrządzanie Cappuccino .....	162
5.3	Przyrządzanie Latte Macchiato .....	162
5.4	Przyrządzanie pianki z mleka lub ciepłego mleka .....	163
5.5	Przygotowywanie gorącej wody.....	163
5.6	Przyrządzanie dalszych specjalności do picia z recepturami.....	164
5.7	Zmiana ustawień napojów przed i w trakcie przyrządzania.....	166
5.8	Przerywanie przyrządzania kawy.....	167
5.9	Jednoczesne przyrządzanie dwóch kaw .....	167
<b>6</b>	<b>Trwała zmiana ustawień kawy .....</b>	<b>168</b>
6.1	Zmiana ustawień początkowych.....	168

<b>7</b>	<b>Zmiana ustawień podstawowych</b> .....	<b>169</b>
7.1	Ustawianie języka .....	169
7.2	Ustawianie automatycznego wyłączenia.....	169
7.3	Ustawianie trybu oszczędzania energii .....	170
7.4	Resetowanie urządzenia na ustawienia fabryczne.....	170
7.5	Informacje o statusie urządzenia .....	171
7.6	Ustawianie stopnia zmielenia.....	172
<b>8</b>	<b>Pielęgnacja i konserwacja</b> .....	<b>173</b>
8.1	Ogólne czyszczenie .....	173
8.2	Proces płukania.....	173
8.3	Wymontowanie i czyszczenie modułu parzenia .....	174
8.4	Stosowanie programu „Easy Cleaning” .....	175
8.5	Stosowanie programu „Czyszczenie systemu mleka” .....	177
8.6	Stosowanie programu „Czyszczenie systemu kawy” .....	178
8.7	Stosowanie programu „Usuwanie kamienia” .....	179
8.8	Ustawianie twardości wody .....	180
8.9	Stosowanie filtra do wody .....	181
<b>9</b>	<b>Awarie</b> .....	<b>184</b>
<b>10</b>	<b>Transport, składowanie i utylizacja</b> .....	<b>185</b>
10.1	Odpowietrzenie urządzenia.....	185
10.2	Transport urządzenia.....	185
10.3	Utylizacja urządzenia.....	186
<b>11</b>	<b>Dane techniczne</b> .....	<b>186</b>

## Droga Klientko, Drogi Kliencie,

dziękujemy bardzo, że zdecydowaliście się Państwo na zakup w pełni automatycznego ekspresu do kawy Caffeo® Passione®.

Instrukcja obsługi pomoże Państwu zapoznać się z różnorodnymi możliwościami tego urządzenia. Korzystanie z ekspresu z pewnością dostarczy Państwu wielu radości z filiżanką doskonałej kawy.

Proszę uważnie przeczytać niniejszą instrukcję obsługi. W ten sposób unikniecie Państwo problemów zdrowotnych i szkód materialnych. Instrukcję obsługi proszę starannie przechowywać. W razie przekazania urządzenia innym osobom, należy również załączyć do niego niniejszą instrukcję obsługi

Firma Melitta nie przejmuje żadnej odpowiedzialności za szkody powstałe w wyniku nieprzestrzegania niniejszej instrukcji obsługi.

Jeżeli potrzebujecie Państwo dalszych informacji lub macie pytania dotyczące tego urządzenia, to proszę zwrócić się do firmy Melitta lub odwiedzić nas w Internecie pod adresem:  
[www.melitta.de](http://www.melitta.de)

Życzymy Państwu dużo zadowolenia z Waszego urządzenia.

## 1 Dla Waszego bezpieczeństwa

- CE** Urządzenie odpowiada poniższym europejskim wytycznym:
- 2006/95/EG (niskie napięcie),
  - 2004/108/EG (wymienność elektromagnetyczna),
  - 2011/65/EU (RoHS),
  - 2009/125/EG (wzornictwo ekologiczne/ErP).

Urządzenie jest skonstruowane zgodnie z najnowszym stanem techniki. Mimo to istnieją pewne zagrożenia śladowe.

Aby unikać zagrożeń, musicie Państwo przestrzegać wskazówek dotyczących bezpieczeństwa. Melitta nie przejmuje żadnej odpowiedzialności za szkody powstałe przez nieprzestrzeganie wskazówek dotyczących bezpieczeństwa.

### 1.1 Stosowane symbole

Poniższe symbole wskazują na szczególne zagrożenia w obchodzeniu się z urządzeniem lub podają Państwu przydatne wskazówki.

**▲ OSTROŻNIE**

Słowo sygnalizujące OSTROŻNIE zwraca Państwa uwagę na możliwość wystąpienia obrażeń.

**UWAGA**

Słowo sygnalizujące **UWAGA** zwraca Państwa uwagę na możliwość wystąpienia uszkodzenia urządzenia.

**Informacja**

Słowo sygnalizujące **Informacja** zwraca Państwa uwagę na dodatkowe wskazówki i rady dotyczące obchodzenia się z urządzeniem.

## 1.2 Zastosowanie zgodne z przeznaczeniem

Urządzenie służy do przyrządzania różnych rodzajów kawy z kawy ziarnistej oraz do podgrzewania mleka i wody.

Urządzenie przeznaczone jest do używania w prywatnym gospodarstwie domowym.

Każde inne zastosowanie uznawane jest jako niezgodne z przeznaczeniem i może prowadzić do problemów zdrowotnych i szkód materialnych. Melitta nie odpowiada za szkody, które powstają przez stosowanie urządzenia niezgodne z przeznaczeniem.

## 1.3 Zagrożenie porażenia prądem elektrycznym

Jeżeli urządzenie lub kabel sieciowy są uszkodzone, to istnieje zagrożenie życia przez porażenie prądem.

Aby unikać zagrożeń spowodowanych prądem elektrycznym, należy przestrzegać poniższych wskazówek dotyczących bezpieczeństwa:

- Nie używać uszkodzonego kabla sieciowego.
- Uszkodzony kabel sieciowy może być wymieniony wyłącznie przez producenta, jego punkt serwisowy lub jego partnera serwisowego.
- Nie otwierać żadnych ześrubowanych na stałe osłon obudowy urządzenia.
- Urządzenie używać tylko wtedy, gdy znajduje się ono w technicznie nienagannym stanie.
- Uszkodzone urządzenie może być naprawiane wyłącznie przez autoryzowany warsztat. Nie naprawiać urządzenia samemu.



- Nie dokonywać żadnych zmian w urządzeniu, jego częściach składowych i osprzęcie.
- Nie zanurzać urządzenia w wodzie.

#### 1.4 Niebezpieczeństwo oparzenia i poparzenia

Wyciekające płyny i opary mogą być bardzo gorące. Części urządzenia stają się również bardzo gorące.

Aby unikać oparzeń i poparzeń, należy przestrzegać poniższych wskazówek dotyczących bezpieczeństwa:

- Unikać zetknięcia się skóry z wyciekającymi płynami i oparami.
- W trakcie i bezpośrednio po pobraniu kawy nie dotykać dysz na wylocie. Odczekać, aż podzespoły się ochłodzą.

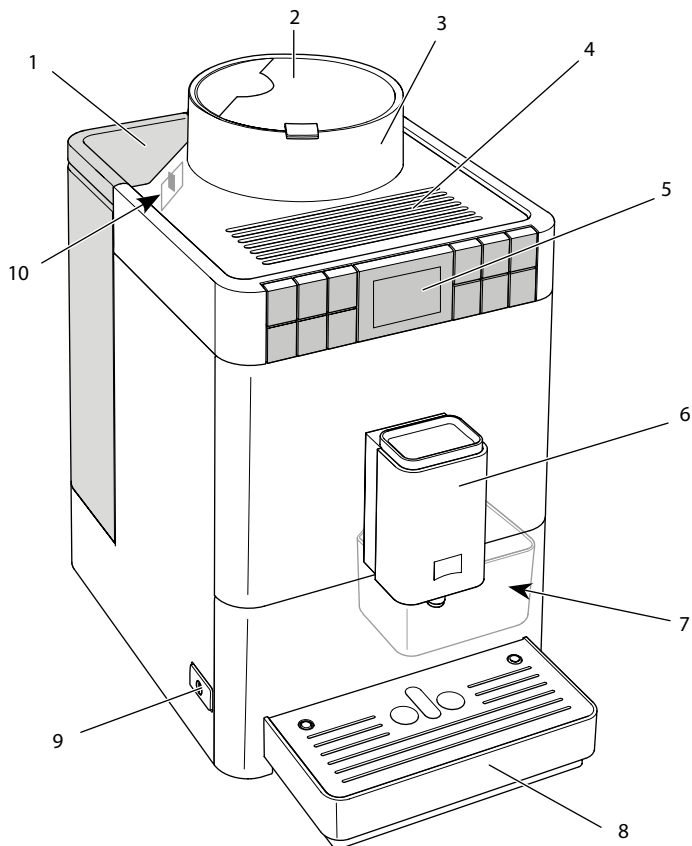
#### 1.5 Bezpieczeństwo ogólne

Aby unikać problemów zdrowotnych i szkód materialnych, należy przestrzegać poniższych wskazówek dotyczących bezpieczeństwa:

- W trakcie pracy nie sięgać do wnętrza urządzenia.
- Urządzenie i jego kabel sieciowy utrzymywać z dala od dzieci poniżej 8 roku życia.
- Urządzenie może być używane przez dzieci powyżej 8 roku życia jak też przez osoby z obniżonymi zdolnościami psychicznymi, czuciowymi lub mentalnymi lub z brakiem doświadczenia i wiedzy, jeśli będą one pod nadzorem lub zostały poinstruowane odnośnie bezpiecznego używania urządzenia i rozumieją wynikające z tego zagrożenia.
- Dzieciom nie wolno bawić się tym urządzeniem. Czyszczenie i konserwacja nie mogą być wykonywane przez dzieci poniżej 8 roku życia. Dzieci powyżej 8 roku życia muszą być nadzorowane przy czyszczeniu i konserwacji.
- Jeżeli urządzenie pozostawione jest przez dłuższy czas bez nadzoru, to należy je odłączyć od źródła zasilania.

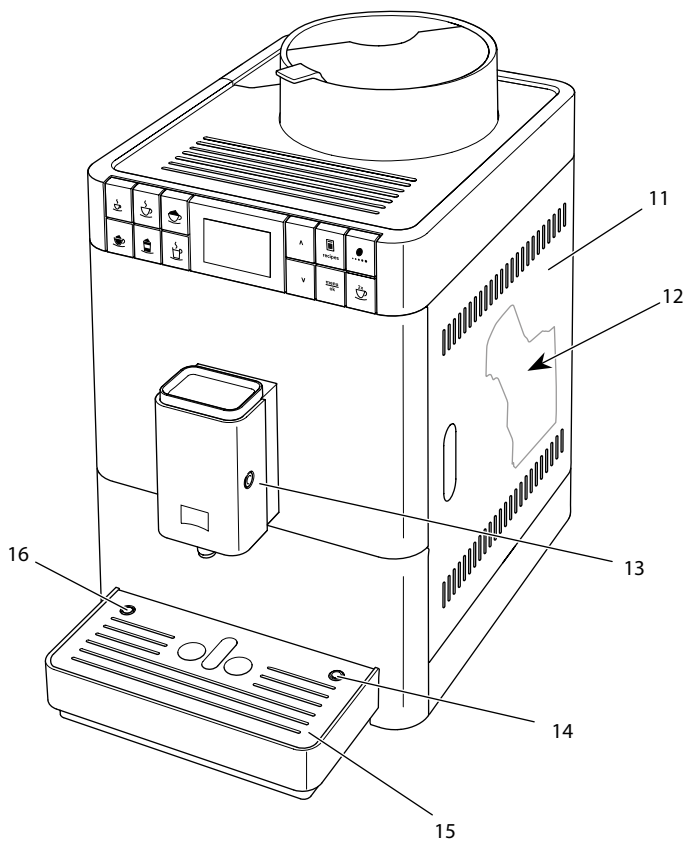
## 2 Zestawienie urządzeń

### 2.1 Zarys urządzenia



Ilustr. 1: Urządzenie z lewej strony z przodu

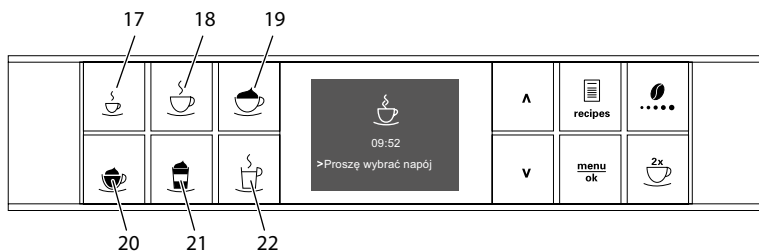
- |                                       |  |
|---------------------------------------|--|
| 1 Zbiornik na wodę z pokrywą          | 6 Regulowany w pionie wylot z 2 dyszami kawy, 1 dyszą mleka, 1 dyszą gorącej wody, podświetlenie filiżanek |
| 2 Pokrywa pojemnika na ziarna kawy    | 7 Pojemnik na fusy (wewnątrz)  |
| 3 Pojemnik na ziarna kawy             | 8 Kratka ociekowa  |
| 4 Płaszczyzna na odstawiane filiżanki | 9 Przycisk "Włącz/wyłącz"  |
| 5 Panel obsługi                       | 10 Dźwignia "Przestawianie stopnia zmielenia" (wewnątrz)   |



*Ilustr. 2: Urządzenie z prawej strony z przodu*

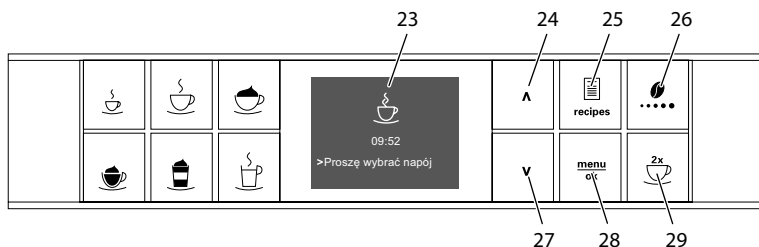
- |   |   |
|---|---|
| 11 Osłona                                 | 14 Podłączenie przewodu mleka do kratki ociekowej |
| 12 Moduł parzenia (wewnątrz)              | 15 Podstawa na filiżanki                          |
| 13 Przyłącze przewodu do mleka na wylocie | 16 Pływak   |

## 2.2 Zarys panelu obsługi



Ilustr. 3: Przyciski poboru

Poz.	Nazwa	Funkcja
17	Espresso	Przyrządzenie Espresso
18	Café Crème	Przyrządzenie Café Crème
19	Cappuccino	Przyrządzenie Cappuccino
20	Pianka z mleka/ ciepłe mleko	Przyrządzenie pianki z mleka i ciepłego mleka
21	Latte Macchiato	Przyrządzenie Latte Macchiato
22	Gorąca woda	Przygotowywanie gorącej wody



Ilustr. 4: Wyświetlacz i przyciski obsługi

Poz.	Nazwa	Funkcja
23	Wyświetlacz	Wyświetlanie aktualnych menu i komunikatów Przykład: wskaźnik gotowości
24	Przycisk strzałki do góry	Nawigacja w menu do góry, lub zwiększenie ilości
25	Receptury	Wybór i przyrządzenie receptur
26	Moc kawy	Ustawienie mocy kawy
27	Przycisk strzałki w dół	Nawigacja w menu do dół, lub redukcja ilości
28	menu/ok	Wywołanie menu lub potwierdzenie wprowadzenia
29	dwie filiżanki	Pobór dwóch filiżanek

## 3 Pierwsze kroki

Ten rozdział zawiera opis, w jaki sposób należy przygotować do użycia urządzenie będące w Państwa posiadaniu.

### 3.1 Rozpakowanie urządzenia

W opakowaniu oprócz urządzenia znajdują się dalsze akcesoria, jak na przykład przybory i środki do czyszczenia.

#### **⚠ OSTROŻNIE**

**Kontakt ze środkami czyszczącymi może prowadzić do podrażnień oczu i skóry.**

- Załączone środki czyszczące przechowywać poza zasięgiem dzieci.
- Urządzenie rozpakować. Usunąć z urządzenia materiał opakowaniowy, taśmy klejące i folie ochronne.
- Materiał opakowaniowy zachować do transportu i ewentualnych przesyłek zwrotnych.

#### **i Informacja**

W urządzeniu mogą znajdować się ślady kawy i wody. Urządzenie było sprawdzane w fabryce odnośnie jego nienagannego funkcjonowania.

### 3.2 Sprawdzenie zakresu dostawy

Na podstawie poniższej listy należy sprawdzić kompletność dostawy. Jeżeli brak jakiegokolwiek części, to należy zwrócić się do swojego dystrybutora.

- Pomocniczy wkręt do filtra wody,
- długi przewód do mleka,
- szczotka do czyszczenia,
- oczyszczacz do automatycznego ekspresu do kawy,
- oczyszczacz do modułu mleka,
- odkamieniacz do automatycznego ekspresu do kawy,
- filtr wody,
- papierek wskaźnikowy do ustalania twardości wody.

W zależności od wersji dodatkowo z

- pojemnikiem na mleko z krótkim przewodem do mleka.

### 3.3 Instalacja urządzenia

Proszę przestrzegać następujących wskazówek:

- Nie instalować urządzenia w wilgotnych pomieszczeniach.
- Urządzenie ustawić na stabilnej, równej i suchej powierzchni.
- Nie instalować urządzenia w pobliżu zlewów i podobnych sprzętów.
- Nie ustawiać urządzenia na gorących powierzchniach.
- Zachowywać wystarczającą odległość około 10 cm do ściany i innych przedmiotów. Wolna przestrzeń nad urządzeniem powinna wynosić minimum 20 cm.
- Kabel sieciowy ułożyć tak, żeby nie mógł zostać uszkodzony przez krawędzie lub gorące powierzchnie.

### 3.4 Podłączenie urządzenia

Proszę przestrzegać poniższych wskazówek:

- Zabezpieczyć, żeby napięcie sieci zgadzało się z napięciem roboczym, które podane jest w danych technicznych (patrz tabela *Dane techniczne na stronie 185*).
- Urządzenie podłączać tylko do przepisowo zainstalowanego gniazdka wtykowego z zestykiem ochronnym. W razie wątpliwości, proszę zwracać się do specjalisty elektryka.
- Gniazdko wtykowe z zestykiem ochronnym musi być zabezpieczone przynajmniej za pomocą bezpiecznika 10-A.

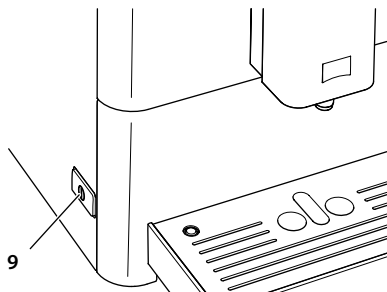
### 3.5 Pierwsze włączenie urządzenia

Podczas pierwszego uruchomienia można ustawić język i twardość wody. Te ustawienia można w późniejszym czasie zmienić (patrz rozdział 1 *Dla Waszego bezpieczeństwa* na stronie 143 i rozdział 8.8 *Ustawianie twardości wody* na stronie 179).

Do ustalenia twardości wody proszę użyć załączonego papierka wskaźnikowego. Proszę przestrzegać poleceń na opakowaniu papierka wskaźnikowego i tabeli *Zakres twardości wody na stronie 185*.

#### Informacja

- Zalecamy wylanie pierwszych dwóch filiżanek kawy po pierwszym uruchomieniu.
- Jeżeli chcecie Państwo używać filtra do wody, to powinniście go założyć dopiero po pierwszym uruchomieniu.



Ilustr. 5: Przycisk "Włącz/wyłącz"

**Warunek:** Urządzenie jest zainstalowane i podłączone.

1. Pod wylotem ustawić naczynie.
2. Wcisnąć przycisk "Włącz/wyłącz".
  - » Na wyświetlaczu ukazuje się powiadomienie powitalne.
  - » Ukazuje się sygnał konieczności przeprowadzenia konfiguracji:  
*Please Setup the machine.*
3. Potwierdzić za pomocą "menu/ok".
  - » Ukazuje się menu *Language*.
4. Używając przycisków strzałkowych wybrać Państwa język. Potwierdzić za pomocą "menu/ok".
  - » Ukazuje się menu *Twardość wody*.
5. Używając przycisków strzałkowych wybrać ustalony zakres twardości wody, lub potwierdzić ustaloną wstępnie wartość za pomocą "menu/ok".
  - » Ukazuje się polecenie *Proszę napełnić i włożyć zbiornik na wodę*.
6. Wyjąć zbiornik na wodę. Czystą wodą wypłukać zbiornik na wodę. Napełnić zbiornik na wodę świeżą wodą i wstawić.
  - » Urządzenie nagrzewa się i przeprowadza automatyczne płukanie.
  - » Na wyświetlaczu ukazuje się wskazanie gotowości.
7. Do pojemnika ziaren wsypać kawę ziarnistą. W tym celu przeczytać rozdział 4.4 *Napełnianie pojemnika ziaren kawą ziarnistą na stronie 155*.
  - » W razie potrzeby można teraz założyć filtr do wody (patrz rozdział 8.9 *Stosowanie filtra do wody na stronie 180*).

## 4 Podstawowa obsługa

Ten rozdział zawiera opis podstawowych etapów obsługi przy codziennej obsłudze urządzenia.

### 4.1 Włączanie i wyłączanie urządzenia

Przed włączeniem przy pierwszym uruchomieniu urządzenia przeczytać rozdział 3.5 *Pierwsze włączenie urządzenia* na stronie 150.

#### 📌 Informacja

- Przy włączaniu i wyłączaniu, urządzenie przeprowadza automatyczne płukanie.
- Podczas płukania woda odprowadzana jest do pojemnika na skropliny.

#### Włączenie urządzenia

1. Pod wylotem ustawić naczynie.
  2. Wcisnąć przycisk "Włącz/wyłącz" (9).
    - » Na wyświetlaczu ukazuje się powiadomienie powitalne.
    - » Urządzenie nagrzewa się i przeprowadza automatyczne płukanie.
- » Na wyświetlaczu ukazuje się wskazanie gotowości.

#### 📌 Informacja

Jeżeli urządzenie było wyłączone tylko na krótko, to po włączeniu nie następuje automatyczne płukanie.

#### Wyłączenie urządzenia

1. Pod wylotem ustawić naczynie.
  2. Wcisnąć przycisk "Włącz/wyłącz" (9)
    - » Urządzenie przeprowadza automatyczne płukanie.
- » Urządzenie wyłącza się.

#### 📌 Informacja

- Urządzenie wyłącza się automatycznie, gdy nie jest przez dłuższy czas obsługiwane. Również w tym przypadku następuje automatyczne płukanie.
- Czas wyłączenia można ustawić w menu *Auto Wyłącz*, patrz rozdział 7.2 *Ustawianie automatycznego wyłączenia* na stronie 169.
- Jeżeli od chwili włączenia nie przyrządzono żadnego napoju lub zbiornik na wodę jest pusty, to płukanie nie następuje.



## 4.2 Posługiwanie się panelem obsługi

Za pomocą panelu obsługi dostępne są istotne programy.

Wcisnąć żądany przycisk. Do obsługi przycisków stosować poniższe czynności:



### Krótkie naciskanie

Aby wybrać program, nacisnąć krótko przycisk obsługi.



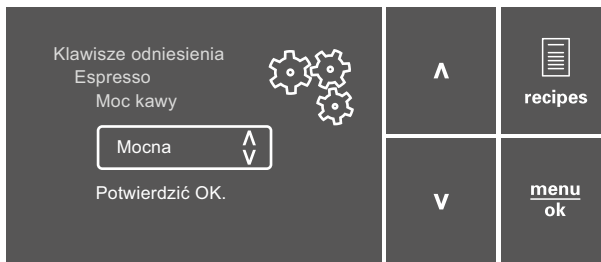
### Długo naciskanie

Aby wybrać ewentualnie istniejący drugi program, przycisk nacisnąć dłużej niż 2 sekundy.

## 4.3 Nawigacja w menu

Do ustawiania poszczególnych rodzajów kawy oraz pielęgnacji i konserwacji, trzeba na wyświetlaczu wywołać menu i w menu nawigować.

Proszę przestrzegać wskazówek na wyświetlaczu.



Ilustr. 6: Wyświetlacz (przykład) i przyciski obsługi do nawigacji

Do nawigacji w menu używać poniższych możliwości:

### Wywołanie menu i potwierdzenie wyboru



Naciskać przycisk "menu/ok" dłużej niż 2 sekundy, aby wywołać menu.

Naciskać krótko przycisk "menu/ok", aby potwierdzić wybór.


## Nawigacja w menu lub zmiana wartości cyfrowych

**V** **^** Nacisnąć przyciski strzałkowe, aby w menu nawigować w dół lub w górę.

Nacisnąć przyciski strzałkowe, aby podwyższyć lub obniżyć aktualną wartość cyfrową.

Przytrzymać wciśnięty przycisk strzałkowy, aby szybko dotrzeć do żądanej pozycji lub żądanej wartości cyfrowej.

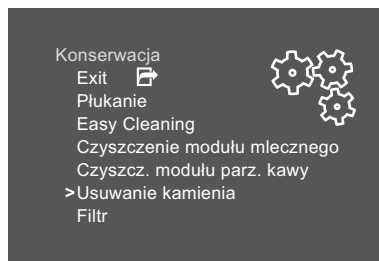
## Opuszczanie menu

**Exit**  Używając przycisków strzałkowych wybrać polecenie *Exit* i potwierdzić za pomocą "menu/ok", aby opuścić menu. Podmenu, które ukazują tylko informacje i w których nie dokonuje się żadnych ustawień, opuszczać za pomocą "menu/ok".

## Wywoływanie podmenu

Do niektórych programów urządzenia dociera się poprzez wywoływanie kolejno po sobie kilku podmenu.

Wywoływanie podmenu jest zawsze podobne. Przykładowo opisana jest tutaj nawigacja do programu *Usuwanie kamienia*.



*Ilustr. 7: Nawigacja do programu Usuwanie kamienia*

1. Nacisnąć przez 2 sekundy przycisk "menu/ok".
  - » Na wyświetlaczu ukazuje się menu.
2. Używając przycisków strzałkowych wybrać *Pielęgnacja*, i potwierdzić za pomocą "menu/ok".
3. Używając przycisków strzałkowych wybrać *Usuwanie kamienia*, i potwierdzić za pomocą "menu/ok".

Wybór programu jest w tej instrukcji obsługi przedstawiany zawsze w skrócie:

- Nawigować do menu *Pielęgnacja > Usuwanie kamienia*.

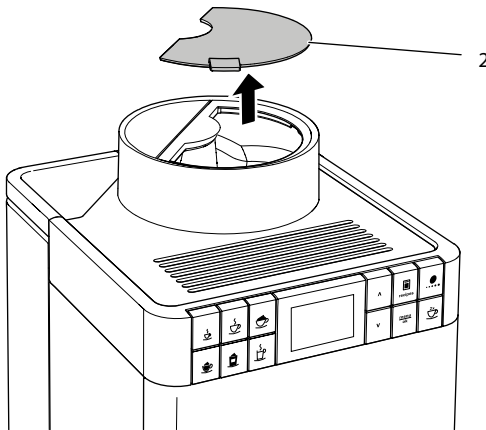
## 4.4 Napełnianie pojemnika ziaren kawą ziarnistą

Palone ziarna kawy tracą swój aromat. Do pojemnika ziaren wsypać tylko tyle ziaren kawy, ile możecie Państwo zużyć w ciągu następujących 3 do 4 dni.

### UWAGA

**Używanie nieodpowiednich gatunków kawy może prowadzić do zablokowania się młynka.**

- Nie używać żadnych liofilizowanych ani karmelizowanych ziaren kawy.
- Nie używać kawy zmielonej ani żadnych produktów typu Instant.



*Ilustr. 8: Otworzyć pokrywę pojemnika na ziarna kawy*

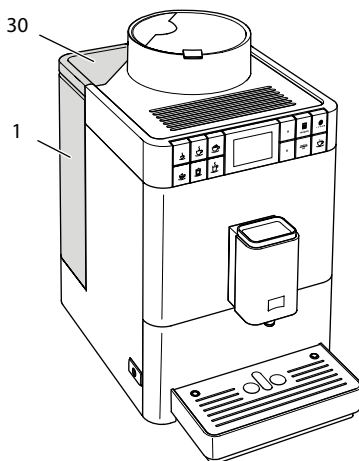
1. Otworzyć pokrywę (2) pojemnika na ziarna kawy.
2. Do pojemnika ziaren wsypać kawę ziarnistą.
3. Zamknąć pokrywę pojemnika na ziarna kawy.

## 4.5 Nalewanie wody

Aby uzyskać optymalną satysfakcję z picia kawy, należy używać tylko świeżej, zimnej wody bez gazu. Wodę wymieniać codziennie.

### Informacja

Jakość wody w dużym stopniu decyduje o smaku kawy. Z tego powodu należy używać filtra wody (patrz rozdział 8.8 *Ustawianie twardości wody* na stronie 179 i rozdział 8.9 *Stosowanie filtra do wody* na stronie 180).

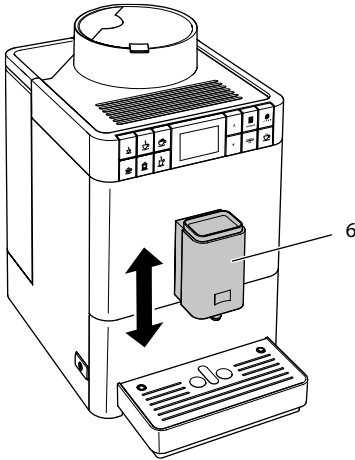


Ilustr. 9: Zbiornik na wodę

1. Otworzyć pokrywę zbiornika na wodę (30) i wyjąć zbiornik na wodę (1) za uchwyt do góry z urządzenia.
2. Napełnić zbiornik na wodę wodą.
3. Zbiornik na wodę wstawić z góry do urządzenia i zamknąć pokrywę.

## 4.6 Ustawianie wylewu

Wylew (6) jest z regulacją wysokości. Ustawić możliwie małą odległość między wylewem a naczyniem. W zależności od wysokości naczynia, przesuwając wylew do góry lub w dół.



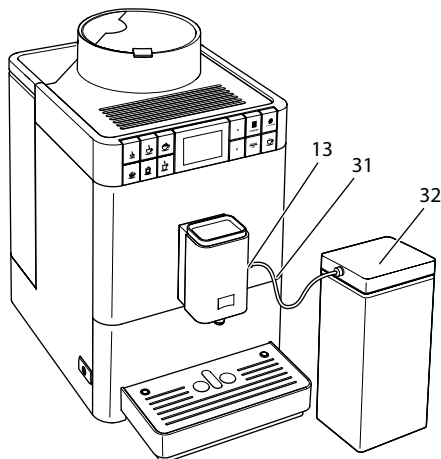
Ilustr. 10: Ustawianie wylewu

## 4.7 Stosowanie mleka

Dla optymalnej rozkoszy picia kawy należy używać schłodzonego mleka. W zależności od modelu urządzenia, używać można załączonego długiego przewodu do mleka lub załączonego pojemnika na mleko.

### Podłączenie pojemnika na mleko

Nie wszystkie wersje Caffeo® Passione® posiadają pojemnik na mleko.



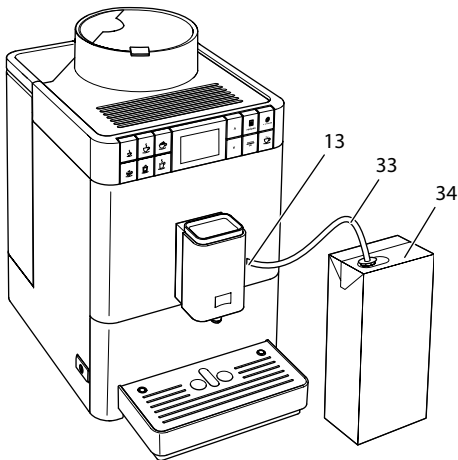
Ilustr. 11: Podłączony pojemnik na mleko

1. Połączyć przewód do mleka (31) z połączeniem na wylocie (13).
2. Połączyć wolny koniec przewodu do mleka z pojemnikiem na mleko (32).

#### Informacja

Napełniony pojemnik na mleko przechowywać w lodówce.

## Podłączenie opakowania z mlekiem



*Ilustr. 12: Podłączone standardowe opakowanie z mlekiem*

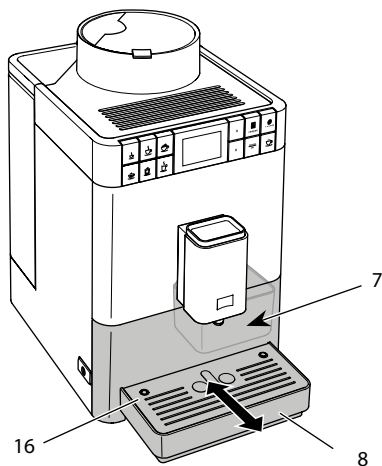
1. Połączyć długi przewód do mleka (33) z podłączeniem na wylocie (13).
2. Wolny koniec przewodu do mleka włożyć do standardowego opakowania mleka (34).

## 4.8 Opróżnianie pojemnika na skropliny i pojemnika na fusy

Po większej liczbie pobrań kawy, pojemnik na skropliny (8) i pojemnik na fusy (7) mogą być pełne. Wystający pływak (16) powiadamia o aktualnym poziomie napełnienia pojemnika na skropliny.

Urządzenie pokazuje również po ustalonej liczbie pobrań kawy, że pojemnik na skropliny i pojemnik na fusy są pełne.

Zawsze opróżniać pojemnik na skropliny i pojemnik na fusy.



Ilustr. 13: Opróżnianie pojemnika na skropliny i pojemnika na fusy

1. Pojemnik na skropliny (8) wyciągnąć z urządzenia do przodu.
2. Wyjąć pojemnik na fusy (7) i opróżnić go.
3. Opróżnić pojemnik na skropliny.
4. Wstawić pojemnik na fusy.
5. Pojemnik na skropliny wsunąć do oporu do urządzenia.

### **I** Informacja

Opróżniając pojemnik na skropliny i pojemnik na fusy, gdy urządzenie jest wyłączone, urządzenie nie rejestruje tego procesu. Dlatego może się zdarzyć, że zostanie się zawiadomiony o opróżnianiu, mimo że pojemnik na skropliny i pojemnik na fusy nie są jeszcze pełne.



## 5 Przyrządzanie różnych rodzajów kaw

Istnieją dwie możliwości przyrządzania kaw:

- Pobór standardowy, jak opisano poniżej,
- wybór i przyrządzenie receptury (patrz rozdział 5.6 *Przyrządzenie dalszych specjalności do picia z recepturami* na stronie 164).

### Informacja

- Ustawienia wstępne dla poboru standardowego lub dla receptury, mogą zostać na trwałe zmienione (patrz rozdział 6.1 *Zmiana ustawień początkowych* na stronie 168).

Należy uwzględnić, że:

- W zbiorniczku na wodę powinna zawsze znajdować się wystarczająca ilość wody. Gdy poziom napełnienia jest zbyt niski, to urządzenie sygnalizuje konieczność uzupełnienia.
- Również w pojemniku na kawę ziarnistą powinna zawsze znajdować się wystarczająca ilość kawy ziarnistej. Gdy nie ma już kawy ziarnistej, to urządzenie przerywa przyrządzenie kawy.
- Urządzenie nie wskazuje braku mleka.
- Naczynia do napojów powinny być wystarczająco duże (patrz tabela *Ustawienia fabryczne na stronie 186*).

### 5.1 Przyrządzenie Espresso lub Café Crème



**Warunek:** Na wyświetlaczu ukazuje się wskazanie gotowości.



1. Pod wylotem ustawić naczynie.
2. Nacisnąć przycisk poboru "Espresso" lub "Café Crème".
  - » Startuje proces mielenia i wydanie kawy.
  - » Wydawanie napoju zostaje zakończone automatycznie.
3. Pobrać naczynie.
  - » Na wyświetlaczu ukazuje się wskazanie gotowości.

## 5.2 Przyrządzanie Cappuccino



Wymogi: Na wyświetlaczu ukazuje się wskazanie gotowości i mleko jest podłączone.

1. Pod wylotem ustawić naczynie.
  2. Wcisnąć przycisk poboru "Cappuccino".
    - » Startuje proces mielenia i wydanie kawy.
    - » Wydawanie kawy zostaje zakończone automatycznie.
    - » Zaczyna się wydawanie mleka.
    - » Wydawanie napoju zostaje zakończone automatycznie.
  3. Pobrać naczynie.
    - » Na wyświetlaczu ukazuje się *Easy Cleaning? (OK dla zastartowania)*.
  4. Można uruchomić program Easy Cleaning lub przyrządzać inne dowolnie wybrane rodzaje kawy.
    - a) Uruchomić program Easy Cleaning. Postępować według poleceń na wyświetlaczu. Informacje na ten temat znajdują się w rozdziale 8.4 *Stosowanie programu „Easy Cleaning”* na stronie 175.
    - b) Przygotować następne rodzaje kaw i później uruchomić program Easy Cleaning.
- » Na wyświetlaczu ukazuje się wskazanie gotowości.

## 5.3 Przyrządzanie Latte Macchiato



Wymogi: Na wyświetlaczu ukazuje się wskazanie gotowości i mleko jest podłączone.

1. Pod wylotem ustawić naczynie.
  2. Wcisnąć przycisk poboru "Latte Macchiato".
    - » Zaczyna się wydawanie mleka.
    - » Wydawanie mleka zostaje zakończone automatycznie.
    - » Startuje proces mielenia i wydanie kawy.
    - » Wydawanie napoju zostaje zakończone automatycznie.
  3. Pobrać naczynie.
    - » Na wyświetlaczu ukazuje się *Easy Cleaning? (OK dla zastartowania)*.
  4. Można uruchomić program Easy Cleaning lub przyrządzać inne dowolnie wybrane rodzaje kawy.
    - a) Uruchomić program Easy Cleaning. Postępować według poleceń na wyświetlaczu. Informacje na ten temat znajdują się w rozdziale 8.4 *Stosowanie programu „Easy Cleaning”* na stronie 175.
    - b) Przygotować następne rodzaje kaw i później uruchomić program Easy Cleaning.
- » Na wyświetlaczu ukazuje się wskazanie gotowości.

## 5.4 Przyrządzanie pianki z mleka lub ciepłego mleka



Przyrządzanie pianki z mleka i ciepłego mleka są podobne.

Wymogi: Na wyświetlaczu ukazuje się wskazanie gotowości i mleko jest podłączone.

1. Pod wylotem ustawić naczynie.
2. Wcisnąć przycisk poboru "pianka z mleka/ciepłe mleko".
  - a) Pianka z mleka = Krótko nacisnąć przycisk
  - b) Ciepłe mleko = Długo nacisnąć przycisk (2 sekundy)
    - » Zaczyna się wydawanie mleka.
    - » Wydawanie napoju zostaje zakończone automatycznie.
3. Pobrać naczynie.
  - » Na wyświetlaczu ukazuje się *Easy Cleaning? (OK dla zastartowania)*.
4. Można uruchomić program Easy Cleaning lub przyrządzać inne dowolnie wybrane rodzaje kawy.
  - a) Uruchomić program Easy Cleaning. Postępować według poleceń na wyświetlaczu. Informacje na ten temat znajdują się w rozdziale 8.4 *Stosowanie programu „Easy Cleaning”* na stronie 175.
  - b) Przygotować następane rodzaje kaw i później uruchomić program Easy Cleaning.
    - » Na wyświetlaczu ukazuje się wskazanie gotowości.

## 5.5 Przygotowywanie gorącej wody



Warunek: Na wyświetlaczu ukazuje się wskazanie gotowości.

1. Pod wylotem ustawić naczynie.
2. Wcisnąć przycisk poboru "Gorąca woda".
  - » Zaczyna się wydawanie gorącej wody.
  - » Wydawanie napoju zostaje zakończone automatycznie.
3. Pobrać naczynie.
  - » Na wyświetlaczu ukazuje się wskazanie gotowości.

## 5.6 Przyrządzanie dalszych specjalności do picia z recepturami



Oprócz poboru standardowego można w menu *Receptury* wybrać dalsze specjalności do picia. Tutaj do dyspozycji są następujące specjalności:

Specjalności bez mleka:

- Ristretto,
- Lungo,
- Americano.

Specjalności z mlekiem:

- Espresso Macchiato,
- Caffè Latte,
- Café au Lait.

### Przyrządzanie Ristretto, Lungo lub Americano

Przyrządzanie Ristretto, Lungo i Americano jest podobne. Przykładowo opisane jest tutaj przyrządzanie Ristretto.

Warunek: Na wyświetlaczu ukazuje się wskazanie gotowości.

1. Pod wylotem ustawić naczynie.
  2. Nacisnąć przycisk obsługi "Receptury".
    - » Na wyświetlaczu ukazuje się menu *Receptury*.
  3. Używając przycisków strzałkowych wybrać *Ristretto*.
  4. Potwierdzić wybór za pomocą "menu/ok".
    - » Startuje proces mielenia i wydanie kawy.
    - » Wydawanie napoju zostaje zakończone automatycznie.
  5. Pobrać naczynie.
- » Na wyświetlaczu ukazuje się wskazanie gotowości.

### Przyrządzanie Espresso Macchiato, Caffè Latte lub Café au Lait

Przyrządzanie Espresso Macchiato, Caffè Latte i Café au Lait jest podobne. Przykładowo opisane jest tutaj przyrządzanie Espresso Macchiato.

Wymogi: Na wyświetlaczu ukazuje się wskazanie gotowości i mleko jest podłączone.

1. Pod wylotem ustawić naczynie.
2. Nacisnąć przycisk obsługi "Receptury".
  - » Na wyświetlaczu ukazuje się menu *Receptury*.
3. Używając przycisków strzałkowych wybrać *Espresso Macchiato*.

4. Potwierdzić wybór za pomocą "menu/ok".
    - » Startuje proces mielenia i wydanie kawy.
    - » Wydawanie kawy zostaje zakończone automatycznie.
    - » Zaczyna się wydawanie mleka.
    - » Wydawanie napoju zostaje zakończone automatycznie.
  5. Pobrać naczynie.
    - » Na wyświetlaczu ukazuje się *Easy Cleaning? (OK dla zastartowania)*.
  6. Można uruchomić program Easy Cleaning lub przyrządzić inne dowolnie wybrane rodzaje kawy.
    - a) Uruchomić program Easy Cleaning. Postępować według poleceń na wyświetlaczu. Informacje na ten temat znajdują się w rozdziale 8.4 *Stosowanie programu „Easy Cleaning”* na stronie 175.
    - b) Przygotować następane rodzaje kaw i później uruchomić program Easy Cleaning.
- » Na wyświetlaczu ukazuje się wskazanie gotowości.

## 5.7 Zmiana ustawień napojów przed i w trakcie przyrządzania

Ustawienia napojów można zmieniać przed i w trakcie przyrządzania napojów.

### Informacja

Poniższe ustawienia obowiązują tylko dla aktualnego przyrządzania napojów.

### Zmiana ustawień kawy przed przyrządzaniem

Przed wyborem kawy można zmienić ogólną ilość i moc kawy.



- Przed wyborem kawy ustawić ilość kawy za pomocą przycisków strzałkowych.
- Przed wyborem kawy ustawić moc kawy za pomocą przycisku obsługi "Moc kawy".

### Informacja

- Przy przyrządzaniu kawy mieszanej ogólna ilość kawy zostaje podzielona według wyznaczonej proporcji. Dotyczy to kaw mieszanych z mlekiem lub gorącą wodą.
- Jeżeli w ciągu 1 minuty nie przyrządza się żadnej kawy, to urządzenie przełącza się na ustawienia standardowe.

### Zmiana ustawień kawy w trakcie przyrządzania

Ilość i moc kawy można zmieniać w trakcie jej przyrządzania.



- W trakcie wydawania kawy należy ustawić każdorazową jej ilość za pomocą przycisków strzałkowych.
- W trakcie procesu mielenia należy ustawić moc kawy za pomocą przycisku obsługi "Moc kawy".

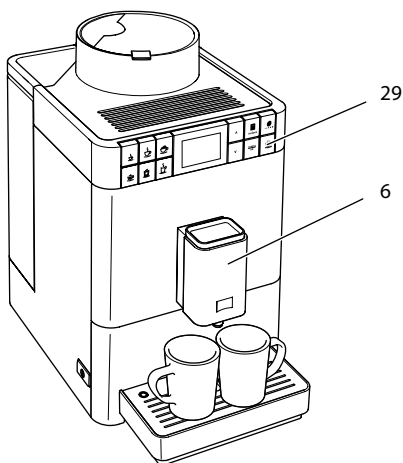
## 5.8 Przerwywanie przyrządzenia kawy

Jeżeli chce się przed czasem przerwać przyrządzenie kawy, to należy nacisnąć dowolny przycisk poboru.

## 5.9 Jednoczesne przyrządzenie dwóch kaw



Za pomocą przycisku obsługi "dwie filiżanki" przyrządza się jednocześnie dwie kawy. Pobór dwóch filiżanek możliwy jest tylko przy wyłącznym poborze kawy, jak na przykład Espresso, Café Crème, Ristretto. Pobór dwóch filiżanek kawy nie jest możliwy przy przyrządzaniu gorącej wody, gorącego mleka jak też wszystkich kaw mieszanych.



Ilustr. 14: Pobór dwóch filiżanek

1. Pod wylotem ustawić dwa naczynia (6).
2. Nacisnąć przycisk obsługi "dwie filiżanki" (29).
3. Dalej postępować jak opisano przy poszczególnym przyrządzeniu wybranej kawy.

### Informacja

- To ustawienie obowiązuje tylko dla pojedynczego przyrządzenia kawy.
- Jeżeli w ciągu 1 minuty nie przyrządza się żadnej kawy, to urządzenie przełącza się na pobór jednej filiżanki.

## 6 Trwała zmiana ustawień kawy

Urządzenie oferuje dalsze możliwości przyrządzania specjalności kawowych. Można używać ustawionych domyślnie receptur lub trwale zmienić ustawienia kaw.

### 6.1 Zmiana ustawień początkowych

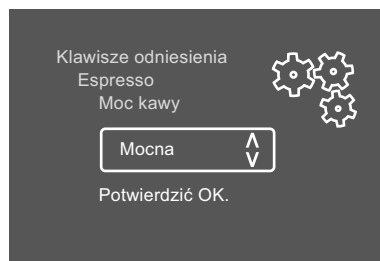
W zależności od kawy, można zmienić poniższe ustawienia początkowe:

- **Ilość kawy:** 25 ml do 220 ml,
- **Ilość mleka lub pianki z mleka:** 25 ml do 220 ml,
- **Ilość gorącej wody:** 25 ml do 220 ml,
- **Moc kawy:** Bardzo łagodna, Łagodna, Normalna, Mocna, Bardzo mocna,
- **Temperatura:** Niska, Normalna, Wysoka.

#### Informacja

Zmienione ustawienia wstępne pozostają tak długo ważne, dopóki nie zostaną ponownie zmienione.

Zmiana ustawień kawy jest przy wszystkich jej rodzajach podobna. Przykładowo opisano tutaj zmianę mocy kawy dla Espresso.



Ilustr. 15: Ustawianie mocy kawy

Warunek: Na wyświetlaczu ukazuje się wskazanie gotowości.

1. Nacisnąć przez ponad 2 sekundy przycisk obsługi "menu/ok".
    - » Na wyświetlaczu ukazuje się menu.
  2. Nawigować do menu *Przyciski poboru* > *Espresso* > *Moc kawy*.
  3. Używając przycisków strzałkowych wybrać żądaną moc kawy i potwierdzić za pomocą "menu/ok".
  4. Wybrać ponownie polecenie *Exit*, aby opuścić menu.
    - » Na wyświetlaczu ukazuje się wskazanie gotowości.
- » Przy następnych przyrządzeniach Espresso zastosowana zostanie nowo wybrana moc kawy.



## 7 Zmiana ustawień podstawowych

W poniższym rozdziale objaśnione będą kolejne etapy obsługi, które zmieniają podstawowe ustawienia urządzenia.

### 7.1 Ustawianie języka

Można ustawić język tekstów na wyświetlaczu.

Warunek: Na wyświetlaczu ukazuje się wskazanie gotowości.

1. Nacisnąć przez ponad 2 sekundy przycisk obsługi "menu/ok".
  - » Na wyświetlaczu ukazuje się menu.
2. Nawigować do menu *Język*.
3. Używając przycisków strzałkowych wybrać język i potwierdzić za pomocą "menu/ok".
4. Opuścić menu za pomocą polecenia *Exit*.
  - » Na wyświetlaczu ukazuje się wskazanie gotowości.

### 7.2 Ustawianie automatycznego wyłączenia

Urządzenie wyłącza się po wyznaczonym czasie automatycznie, gdy nie jest przez dłuższy czas obsługiwane. Ten czas można ustawić w menu *Auto Wyłącz*.

#### Ustawianie okresu czasu do automatycznego wyłączenia

Warunek: Na wyświetlaczu ukazuje się wskazanie gotowości.

1. Nacisnąć przez ponad 2 sekundy przycisk obsługi "menu/ok".
  - » Na wyświetlaczu ukazuje się menu.
2. Nawigować do menu *Auto Wyłącz*.
3. Używając przycisków strzałkowych wybrać czas i potwierdzić za pomocą "menu/ok".
4. Opuścić menu za pomocą polecenia *Exit*.
  - » Na wyświetlaczu ukazuje się wskazanie gotowości.

#### Informacja

Automatyczne wyłączenie nie może zostać całkowicie deaktywowane. Urządzenie wyłącza się najpóźniej po 8 godzinach bez obsługiwan.

## 7.3 Ustawianie trybu oszczędzania energii

Tryb oszczędzania energii powoduje obniżenie temperatury grzania.

Urządzenie przełącza się po wyznaczonym czasie automatycznie na tryb oszczędzania energii, gdy nie jest przez dłuższy czas obsługiwane. Na wyświetlaczu ukazuje się potem polecenie *Nacisnąć dowolny przycisk*. Natychmiast po wykonaniu tego polecenia tryb oszczędzania energii zostaje zakończony.

W menu *Tryb oszczędzania energii* ustawia się okres czasu do chwili aktywowania trybu oszczędzania energii.

Warunek: Na wyświetlaczu ukazuje się wskazanie gotowości.

1. Nacisnąć przez ponad 2 sekundy przycisk "menu/ok".
    - » Na wyświetlaczu ukazuje się menu.
  2. Nawigować do menu *Tryb oszczędzania energii*.
  3. Używając przycisków strzałkowych wybrać okres czasu i potwierdzić za pomocą "menu/ok".
  4. Opuścić menu za pomocą polecenia *Exit*.
- » Na wyświetlaczu ukazuje się wskazanie gotowości.

### Informacja

Tryb oszczędzania energii nie może zostać całkowicie deaktywowany. Urządzenie przełącza się na tryb oszczędzania energii najpóźniej po 4 godzinach od jego ostatniej obsługi.

## 7.4 Resetowanie urządzenia na ustawienia fabryczne

Urządzenie można zresetować na ustawienia fabryczne.

### Informacja

Jeżeli urządzenie zostaje zresetowane na ustawienia fabryczne, to wszystkie osobiste ustawienia zostają utracone.

Warunek: Na wyświetlaczu ukazuje się wskazanie gotowości.

1. Nacisnąć przez ponad 2 sekundy przycisk "menu/ok".
    - » Na wyświetlaczu ukazuje się menu.
  2. Nawigować do menu System > Ustawienia fabryczne.
  3. Używając przycisków strzałkowych wybrać *Resetowanie* i potwierdzić za pomocą "menu/ok".
- » Na wyświetlaczu ukazuje się wskazanie gotowości.

## 7.5 Informacje o statusie urządzenia

Do informacji o statusie urządzenia dociera się przez menu *System > Statystyka*. W celu wyjścia z menu nacisnąć przycisk "menu/ok".

Poniższa tabela daje rozeznanie w znaczeniu informacji.

Informacja	Znaczenie
<i>Pobrania łącznie</i>	Liczba napojów, które zostały przyrządzone od uruchomienia.
<i>Kamień usunięty</i>	Liczba przeprowadzonych procesów odkamieniania.
<i>System kawy oczyszczony</i>	Liczba przeprowadzonych czyszczeń.
<i>System mleka oczyszczony</i>	Liczba przeprowadzonych czyszczeń.
<i>Filtr wymieniony</i>	Liczba przeprowadzonych wymian filtra.

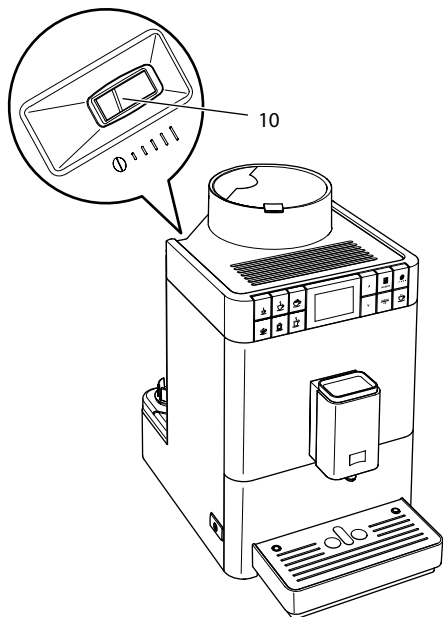
Słupki postępu pokazują pozostałe przyrządzenia napojów, aż urządzenie zasygnalizuje konieczność czyszczenia, usuwania kamienia lub wymiany filtra.

### Wersja oprogramowania

Informacje o zainstalowanej wersji oprogramowania otrzymuje się przez menu *System > Wersja SW*. W celu wyjścia z menu nacisnąć przycisk "menu/ok".

## 7.6 Ustawianie stopnia zmielenia

Stopień zmielenia kawy ma wpływ na jej smak. Stopień zmielenia został optymalnie ustawiony przed dostarczeniem urządzenia. Zalecana jest regulacja stopnia zmielenia kawy najwcześniej po około 1000 jej pobrach (po około 1 roku).



Ilustr. 16: Dźwignia do ustawiania stopnia zmielenia

1. Wyjąć zbiornik na wodę.
  - » Na obudowie widoczna jest dźwignia "Przestawianie stopnia zmielenia" (10).
2. Dźwignię przesunąć w lewo lub w prawo, tak jak pokazano na Ilustr. 16.
  - W lewo = Stopień zmielenia drobniejszy
  - W prawo = stopień zmielenia grubszy
3. Ponownie założyć zbiornik na wodę.

### Informacja

- Gdy ustawi się stopień zmielenia bardziej drobny, to wówczas smak kawy będzie mocniejszy.
- Stopień zmielenia jest ustawiony optymalnie, jeżeli kawa wypływa z wylotu równomiernie i powstaje delikatna, gęsta kawa Crema.

## 8 Pielęgnacja i konserwacja

Dzięki regularnej pielęgnacji i konserwacji urządzenia zapewniona jest niezmiennie wysoka jakość otrzymywanej kawy.

### 8.1 Ogólne czyszczenie

Urządzenie należy czyścić regularnie. Zewnętrzne zanieczyszczenia powstałe od mleka i kawy należy natychmiast usuwać.

UWAGA

**Stosowanie nieodpowiednich środków czyszczących może prowadzić do porysowania powierzchni.**

- Nie używać żadnych szorujących ściereczek, gąbek i środków czystości.

**Warunek:** Urządzenie jest wyłączone.

- Urządzenie czyścić z zewnątrz za pomocą miękkiej, wilgotnej ściereczki i standardowego płynu do mycia naczyń.
- Wypłukać pojemnik na skropliny i pojemnik na fusy. W tym celu używać miękkiej, wilgotnej ściereczki i standardowego płynu do mycia naczyń.
- Pojemnik na ziarna czyścić miękką, suchą ściereczką.
- Pojemnik na fusy (7), podstawka na filiżanki (15) i pojemnik na mleko (bez pokrywy i rurki pionowej) nadają się do mycia w zmywarce.

### 8.2 Proces płukania

Poczas tego procesu płukane są dysze przy wylocie i wewnętrzne części ekspresu do kawy. Woda płucząca dostaje się też przez to z wnętrza do pojemnika na skropliny.

Przy włączaniu i wyłączeniu, urządzenie przeprowadza automatyczne płukanie.

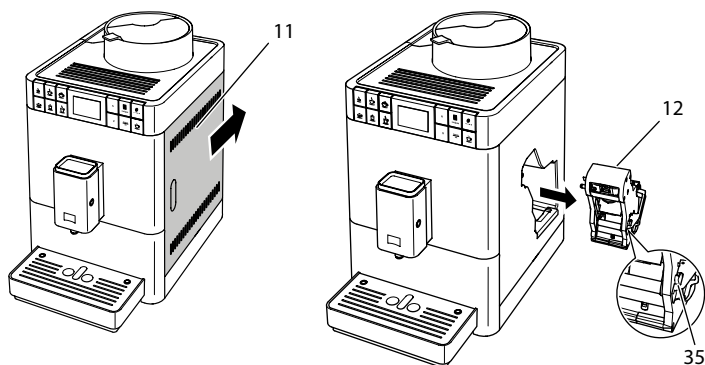
Płukanie można przeprowadzić też ręcznie:

**Warunek:** Na wyświetlaczu ukazuje się wskazanie gotowości.

1. Pod wylotem ustawić naczynie.
2. Nacisnąć przez ponad 2 sekundy przycisk "menu/ok".
  - » Na wyświetlaczu ukazuje się menu.
3. Nawigować do menu *Pielęgnacja* > *Płukanie*.
  - » Urządzenie przeprowadza automatyczne płukanie.
- » Na wyświetlaczu ukazuje się wskazanie gotowości.

### 8.3 Wymontowanie i czyszczenie modułu parzenia

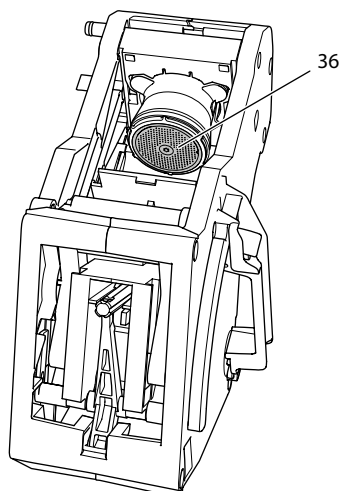
W celu uniknięcia uszkodzeń urządzenia, zalecamy czyszczenie modułu parzenia raz na tydzień.



Ilustr. 17: Wymywanie modułu parzenia

**Warunek:** Urządzenie jest wyłączone.

1. Otworzyć osłonę (11). W tym celu sięgnąć do wgłębienia po prawej stronie urządzenia i przesunąć osłonę do tyłu. Zdjąć osłonę.
2. Wcisnąć i przytrzymać czerwoną dźwignię (35) za uchwyt modułu parzenia (12), i przekręcić uchwyt w kierunku wskazówek zegara, aż zaskoczy do oporu.
3. Zaparzać wyciągnąć za uchwyt z urządzenia.



Ilustr. 18: Czyszczenie modułu parzenia

4. Moduł parzenia i sito przepłukać w całości pod bieżącą wodą gruntownie ze wszystkich stron.
  - » Moduł parzenia i sito (36) są wolne od pozostałości kawy.
5. Zaparzacz pozostawić do ocieknięcia.
6. Za pomocą miękkiej, suchej ściereczki usunąć resztki kawy z powierzchni w środku urządzenia.
7. Zaparzacz wstawić do urządzenia. Wcisnąć i przytrzymać czerwoną dźwignię za uchwyt modułu parzenia, i przekręcić uchwyt odwrotnie do kierunku wskazówek zegara, aż zaskoczy do oporu.
8. Zamknąć osłonę. W tym celu włożyć osłonę i przesunąć ją do przodu, aż zaskoczy.

## 8.4 Stosowanie programu „Easy Cleaning”

Za pomocą programu „Easy Cleaning” płukany jest moduł mleka.

Po każdym przyrządzeniu kawy z mlekiem, urządzenie sygnalizuje konieczność przeprowadzenia programu Easy Cleaning.

Program Easy Cleaning można przeprowadzić też ręcznie.

Warunek: Na wyświetlaczu ukazuje się wskazanie gotowości.

1. Pod wylotem ustawić naczynie.
2. Nacisnąć przez ponad 2 sekundy przycisk "menu/ok".
  - » Na wyświetlaczu ukazuje się menu.
3. Nawigować do menu *Pielęgnacja > Easy Cleaning*.

4. Używając przycisków strzałkowych wybrać *Start* i potwierdzić za pomocą "menu/ok".
5. Do końca programu Easy Cleaning postępować zgodnie z dalszymi poleceniami na wyświetlaczu.
  - » Na wyświetlaczu ukazuje się wskazanie gotowości.

## 8.5 Stosowanie programu „Czyszczenie systemu mleka”

Do czyszczenia systemu mleka potrzebny jest środek czyszczący do systemu mleka.

Dla zachowania higieny i uniknięcia uszkodzeń urządzenia, zalecamy przeprowadzenie programu czyszczenia raz w tygodniu.

Program czyszczenia trwa około 3 minut i nie powinien być przerywany.

### UWAGA

**Stosowanie nieodpowiednich oczyszczaczy do przewodów mlecznych może prowadzić do uszkodzeń urządzenia.**

- Stosować wyłącznie środek czyszczący do systemu mleka Melitta® PERFECT CLEAN Espresso Machines.

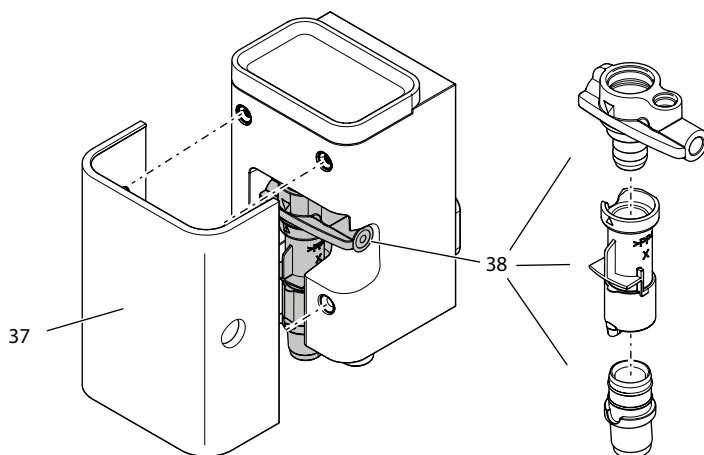
Warunek: Na wyświetlaczu ukazuje się wskazanie gotowości.

1. Pod wylotem ustawić pojemnik na fusy (7) lub naczynie o pojemności przynajmniej 0,7 litra.
2. Nacisnąć przez ponad 2 sekundy przycisk "menu/ok".
  - » Na wyświetlaczu ukazuje się menu.
3. Nawigować do menu *Pielęgnacja > Czyszczenie modułu mlecznego*.
4. Używając przycisków strzałkowych wybrać *Start* i potwierdzić za pomocą "menu/ok".
5. Do końca programu czyszczenia postępować zgodnie z dalszymi poleceniami na wyświetlaczu.
  - » Na wyświetlaczu ukazuje się wskazanie gotowości.



## Czyszczenie modułu mleka

Dodatkowo zalecamy regularne czyszczenie modułu mleka, przewodu mleka i pojemnika na mleko (w zależności od modelu).



Ilustr. 19: Wymontowanie modułu mleka

W celu wymontowania modułu mleka należy postępować jak poniżej:

**Wymóg:** Przewód do mleka jest zdjęty z urządzenia.

1. Osłonę (37) zdjąć z wylotu do przodu.
2. Moduł mleka (38) wcisnąć w dół i zdjąć.
3. Moduł mleka rozłożyć na trzy części, jak pokazano powyżej.
4. Poszczególne części przepłukać ciepłą wodą. W tym celu używać załączonej szczoteczki do czyszczenia oraz miękkiej, wilgotnej ściereczki i standardowego płynu do mycia naczyń.

Montaż następuje odpowiednio w odwrotnej kolejności.

## 8.6 Stosowanie programu „Czyszczenie systemu kawy”

Używając programu "Czyszczenie systemu kawy" usuwane są pozostałości i resztki oleju z kawy za pomocą oczyszczacza do ekspresów do kawy.

Dla uniknięcia uszkodzeń urządzenia zalecane jest przeprowadzenie programu czyszczenia co 2 miesiące - lub gdy urządzenie zasygnalizuje tego konieczność.

Program czyszczenia trwa około 10 minut i nie powinien być przerywany.

**▲ OSTROŻNIE**

**Kontakt ze środkiem do czyszczenia w pełni automatycznych ekspresów do kawy może prowadzić do podrażnień oczu i skóry.**

- Należy przestrzegać wskazówek dot. dozowania, znajdujących się na opakowaniu środka czyszczącego do automatycznych ekspresów do kawy.

**UWAGA**

**Stosowanie nieodpowiednich środków do czyszczenia w pełni automatycznych ekspresów do kawy może prowadzić do uszkodzeń urządzenia.**

- Stosować wyłącznie oczyszczacz w tabletkach Melitta® PERFECT CLEAN Espresso Machines.

Warunek: Na wyświetlaczu ukazuje się wskazanie gotowości.

5. Nacisnąć przez ponad 2 sekundy przycisk "menu/ok".
  - » Na wyświetlaczu ukazuje się menu.
6. Nawigować do menu *Pielęgnacja* > *Czyszczenie systemu kawy*.
7. Używając przycisków strzałkowych wybrać *Start* i potwierdzić za pomocą "menu/ok".
8. Do końca programu czyszczenia postępować zgodnie z dalszymi poleceniami na wyświetlaczu.
  - » Na wyświetlaczu ukazuje się wskazanie gotowości.

## 8.7 Stosowanie programu „Usuwanie kamienia“

Używając programu usuwania kamienia, usuwane są osady wapienne wewnątrz urządzenia za pomocą odkamieniacza do w pełni automatycznych ekspresów do kawy.

Dla uniknięcia uszkodzeń urządzenia zalecane jest przeprowadzenie programu usuwania kamienia co 3 miesiące - lub gdy urządzenie zasygnalizuje tego konieczność.

Program usuwania kamienia trwa około 25 minut i nie powinien być przerywany.

**▲ OSTROŻNIE**

**Kontakt z odkamieniaczem do automatycznych ekspresów do kawy może prowadzić do podrażnień oczu i skóry.**

- Należy przestrzegać wskazówek dot. dozowania, znajdujących się na opakowaniu odkamieniacza do automatycznych ekspresów do kawy.

**UWAGA**

**Stosowanie nieodpowiednich odkamieniaczy może prowadzić do uszkodzeń urządzenia.**

- Stosować wyłącznie odkamieniacz w płynie Melitta® ANTI CALC Espresso Machines.

**UWAGA**

**Wkręcony filtr do wody może zostać uszkodzony w trakcie programu usuwania kamienia.**

- Wyjąć filtr do wody, gdy urządzenie zasygnalizuje tego konieczność.
- W trakcie programu usuwania kamienia, filtr do wody włożyć do naczynia z wodą wodociągową.
- Po zakończeniu programu usuwania kamienia można ponownie założyć filtr do wody i dalej go używać.

Warunek: Na wyświetlaczu ukazuje się wskazanie gotowości.

1. Nacisnąć przez ponad 2 sekundy przycisk "menu/ok".
  - » Na wyświetlaczu ukazuje się menu.
2. Nawigować do menu *Pielęgnacja > Usuwanie kamienia*.
3. Używając przycisków strzałkowych wybrać *Start* i potwierdzić za pomocą "menu/ok".
4. Do końca programu usuwania kamienia postępować zgodnie z dalszymi poleceniami na wyświetlaczu.
  - » Na wyświetlaczu ukazuje się wskazanie gotowości.

## 8.8 Ustawianie twardości wody

Za pomocą ustawienia twardości wody regulowane jest, jak często urządzenie zasygnalizuje konieczność usuwania z niego kamienia. Im woda jest twardsza, tym częściej w urządzeniu trzeba usuwać kamień.

**ℹ Informacja**

Jeżeli używa się filtra do wody, to nie można ustawić twardości wody. Twardość wody jest automatycznie ustawiona na 1 = *Miękka* (patrz rozdział 8.9 *Stosowanie filtra do wody* na stronie 180).

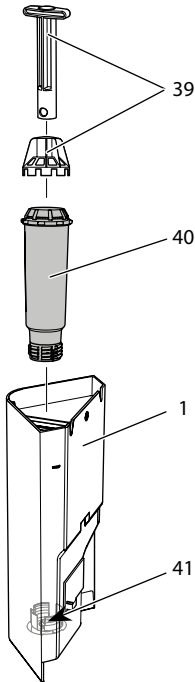
Twardość wody określić używając załączonego papierka wskaźnikowego. Proszę przestrzegać poleceń na opakowaniu papierka wskaźnikowego i tabeli *Zakres twardości wody* na stronie 185.

Warunek: Na wyświetlaczu ukazuje się wskazanie gotowości.

1. Nacisnąć przez ponad 2 sekundy przycisk "menu/ok".
  - » Na wyświetlaczu ukazuje się menu.
2. Używając przycisków strzałkowych nawigować do menu *Twardość wody*.
3. Używając przycisków strzałkowych wybrać zakres twardości wody i potwierdzić za pomocą "menu/ok".
4. Opuścić menu za pomocą polecenia *Exit*.
  - » Na wyświetlaczu ukazuje się wskazanie gotowości.

## 8.9 Stosowanie filtra do wody

Stosowanie filtra do wody wydłuża żywotność urządzenia i zapobiega osadzeniu się kamienia. Znajdujący się w zestawie filtr do wody odfiltruje z wody wapń i inne substancje szkodliwe.



Ilustr. 20: Wkręcanie lub wykręcanie filtra do wody

Filtr do wody (40) jest wkręcany lub wykręcany przy użyciu urządzenia pomocniczego (39) w gwint (41) znajdujący się na dnie zbiornika na wodę (1).

## Zakładanie filtra do wody

### Informacja

Przed założeniem filtra do wody, włożyć go na kilka minut do naczynia ze świeżą wodą wodociągową.

Warunek: Na wyświetlaczu ukazuje się wskazanie gotowości.

1. Nacisnąć przez ponad 2 sekundy przycisk "menu/ok".
  - » Na wyświetlaczu ukazuje się menu.
2. *Nawigować do menu Pielęgnacja > Filtr > Zakładanie filtra.*
3. Używając przycisków strzałkowych wybrać *Start* i potwierdzić za pomocą "menu/ok".
4. Postępować według dalszych poleceń na wyświetlaczu.
  - » Twardość wody jest automatycznie ustawiona na *Miękka*.
- » Na wyświetlaczu ukazuje się wskazanie gotowości.

## Wymiana filtra do wody

Wymienić filtr do wody, gdy urządzenie zasygnalizuje tego konieczność.

Warunek: Na wyświetlaczu ukazuje się wskazanie gotowości.

1. Nacisnąć przez ponad 2 sekundy przycisk "menu/ok".
  - » Na wyświetlaczu ukazuje się menu.
2. *Nawigować do menu Pielęgnacja > Filtr > Wymiana filtra.*
3. Używając przycisków strzałkowych wybrać *Start* i potwierdzić za pomocą "menu/ok".
4. Postępować według dalszych poleceń na wyświetlaczu.
- » Na wyświetlaczu ukazuje się wskazanie gotowości.

## Wyjmowanie filtra do wody

Filtr do wody nie powinien przez dłuższy czas pozostawać suchy. Przy dłuższym nieużywaniu zalecamy przechowywanie filtra do wody w naczyniu z wodą wodociągową w lodówce.

Filtr do wody wyjmować w następujący sposób:

Warunek: Na wyświetlaczu ukazuje się wskazanie gotowości.

1. Nacisnąć przez ponad 2 sekundy przycisk "menu/ok".
  - » Na wyświetlaczu ukazuje się menu.
2. *Nawigować do menu Pielęgnacja > Filtr > Wyjmowanie filtra.*
3. Używając przycisków strzałkowych wybrać *Start* i potwierdzić za pomocą "menu/ok".
4. Postępować według dalszych poleceń na wyświetlaczu.
  - » Twardość wody resetowana jest automatycznie do poprzedniego ustawienia.
  - » Na wyświetlaczu ukazuje się wskazanie gotowości.
5. Ewentualnie na nowo ustawić twardość wody, (patrz rozdział 8.8 *Ustawianie twardości wody* na stronie 179).

## 9 Awarie

Jeżeli wymienione poniżej działania nie usuną awarii lub wystąpią inne, tutaj niewymienione awarie, to należy skontaktować się z naszą Hotline (taryfa miejscowa).

Elka Pieterman Polska Sp. z o.o.  
+48 (0)12/ 614 52 48

Awaria	Przyczyna	Działanie
Kawa leci z wylotu tylko kroplami.	Zbyt drobny stopień zmielenia.	<ul style="list-style-type: none"> <li>Stopień zmielenia ustawić na grubszy (patrz rozdział 7.6 na stronie 172).</li> </ul>
	Urządzenie zabrudzone.	<ul style="list-style-type: none"> <li>Oczyścić moduł parzenia (patrz rozdział 8.3 na stronie 174).</li> <li>Uruchomić program czyszczenia (patrz rozdział 8.6 na stronie 177).</li> </ul>
	Urządzenie pokryte kamieniem.	<ul style="list-style-type: none"> <li>Urządzenie odkamienić (patrz rozdział 8.7 na stronie 178).</li> </ul>
Kawa nie leci.	Zbiornik na wodę nienapełniony lub niewłaściwie założony.	<ul style="list-style-type: none"> <li>Napełnić zbiornik na wodę i zwrócić uwagę na prawidłowe osadzenie (patrz rozdział 4.5 na stronie 156).</li> </ul>
	Moduł parzenia zapchany.	<ul style="list-style-type: none"> <li>Oczyścić moduł parzenia (patrz rozdział 8.3 na stronie 174).</li> </ul>
Wskazanie <i>Wyspać ziarna kawy</i> na wyświetlaczu, mimo że pojemnik na ziarna kawy jest napełniony.	Ziarna kawy nie wpadają do młynka.	<ul style="list-style-type: none"> <li>Wcisnąć przycisk poboru.</li> <li>Lekko popukać w pojemnik na ziarna kawy.</li> <li>Oczyścić pojemnik na ziarna kawy.</li> <li>Ziarna kawy zbyt oleiste. Użyć innych ziaren kawy.</li> </ul>
Głośny odgłos młynka.	Obce ciała w młynku.	<ul style="list-style-type: none"> <li>Skontaktować się z Hotline.</li> </ul>
Moduł parzenia nie daje się założyć po jego wyjęciu.	Uchwyt do blokowania modułu parzenia nie jest we właściwym położeniu.	<ul style="list-style-type: none"> <li>Sprawdzić, czy uchwyt blokady modułu parzenia prawidłowo zaskoczył (patrz rozdział 8.3 na stronie 174).</li> </ul>
	Napęd nie jest we właściwym położeniu.	<ul style="list-style-type: none"> <li>nacisnąć i przytrzymać przycisk „Moc kawy”. Wcisnąć dodatkowo przycisk „Włącz/wyłącz”. Urządzenie przeprowadza inicjalizację. Przyciski ponownie puścić.</li> </ul>
Wskazanie <i>Błąd systemowy</i> na wyświetlaczu.	Awaria oprogramowania.	<ul style="list-style-type: none"> <li>Urządzenie wyłączyć i ponownie włączyć (patrz rozdział 4.1 na stronie 152).</li> <li>Skontaktować się z Hotline.</li> </ul>

## 10 Transport, składowanie i utylizacja

### 10.1 Odpowietrzenie urządzenia

Zalecamy odpowietrzenie urządzenia przy dłuższym nieużywaniu, przed transportem i przy niebezpieczeństwie wystąpienia przymrozków.

Przy odpowietrzeniu resztki wody zostają usunięte z urządzenia.

Warunek: Na wyświetlaczu ukazuje się wskazanie gotowości.

6. Pod wylotem ustawić naczynie.
7. Nacisnąć przez ponad 2 sekundy przycisk "menu/ok".
  - » Na wyświetlaczu ukazuje się menu.
8. Nawigować do menu System > Odpowietrzenie.
9. Używając przycisków strzałkowych wybrać *Start* i potwierdzić za pomocą "menu/ok".
10. Postępować według dalszych poleceń na wyświetlaczu.
  - » Urządzenie wyłącza się.

### 10.2 Transport urządzenia

#### UWAGA

Zamarzające resztki wody mogą prowadzić do uszkodzenia urządzenia.

- Unikać narażania urządzenia na temperatury poniżej 0 °C.

#### Informacja

Urządzenie transportować w oryginalnym opakowaniu. Unika się przez to uszkodzeń w transporcie.

Przed transportem urządzenia, przeprowadzić poniższe czynności:

1. Urządzenie odpowietrzyć (patrz rozdział 10.1 *Odpowietrzenie urządzenia* na stronie 184).
2. Opróżnić pojemnik na skropliny i pojemnik na fusy.
3. Opróżnić zbiornik na wodę.
4. Opróżnić pojemnik na ziarna kawy.
5. Urządzenie oczyścić (patrz rozdział 8.1 *Ogólne czyszczenie* na stronie 173).
6. Umocować luźne części (metalową podstawę na filiżanki itd.) używając odpowiedniej taśmy klejącej.
7. Urządzenie opakować.



### 10.3 Utylizacja urządzenia



Oznaczone tym symbolem urządzenia podlegają Europejskiej Wytycznej 2002/96/EG dla WEEE (Waste Electrical and Electronic Equipment).

Urządzenia elektryczne nie powinny znaleźć się w domowych odpadkach.

- Urządzenie utylizować przyjaźnie dla środowiska przez odpowiednie systemy wywożenia.

## 11 Dane techniczne

Dane techniczne	
Napięcie robocze	220 V do 240 V, 50 Hz
Pobór mocy	maksymalnie 1450 W
Ciśnienie pompy	statycznie maksymalnie 15 bar
Wymiary	
Szerokość	253 mm
Wysokość	390 mm
Głębokość	380 mm
Pojemność użytkowa	
Pojemnik na ziarna kawy	125 g
Zbiornik na wodę	1,2 l
Ilość poboru kawy	25 ml do 220 ml
Masa (pusty)	8,5 kg
Warunki otoczenia	
Temperatura	10 °C do 32 °C
Względna wilgotność powietrza	30 % do 80 % (nieskraplająco)

Zakres twardości wody	°d	°e	°f
Miękka	0 do 10	0 do 13	0 do 18
Średnia	10 do 15	13 do 19	18 do 27
Twarda	15 do 20	19 do 25	27 do 36
Bardzo twarda	>20	>25	>36

Ustawienia fabryczne		
Espresso	Ilość kawy	40 ml
	Moc kawy	Mocna
	Temperatura parzenia	Normalna
Café Crème	Ilość kawy	120 ml
	Moc kawy	Mocna
	Temperatura parzenia	Normalna
Cappuccino	Ilość kawy	130 ml
	Moc kawy	Mocna
	Temperatura parzenia	Normalna
Latte Macchiato	Ilość kawy	190 ml
	Moc kawy	Mocna
	Temperatura parzenia	Normalna
Mleko	Ilość piany	180 ml
	Ilość mleka	180 ml
Gorąca woda	Ilość kawy	180 ml

## Содержание

<b>1</b>	<b>Для Вашей безопасности.....</b>	<b>189</b>
1.1	Используемые символы.....	190
1.2	Применение по назначению .....	190
1.3	Опасность, обусловленная электрическим током .....	190
1.4	Опасность получения ожога.....	191
1.5	Общая безопасность .....	191
<b>2</b>	<b>Обзор аппарата .....</b>	<b>193</b>
2.1	Общий вид аппарата .....	193
2.2	Общий вид панели управления .....	195
<b>3</b>	<b>С чего начать .....</b>	<b>196</b>
3.1	Распаковка аппарата.....	196
3.2	Проверка комплекта поставки .....	196
3.3	Установка аппарата.....	197
3.4	Подключение аппарата.....	197
3.5	Первое включение аппарата.....	197
<b>4</b>	<b>Основные принципы управления .....</b>	<b>199</b>
4.1	Включение и выключение аппарата .....	199
4.2	Порядок использования панели управления .....	200
4.3	Навигация по меню.....	200
4.4	Засыпание кофейных зерен в контейнер .....	202
4.5	Наполнение водой.....	203
4.6	Настройка выпускного отверстия.....	204
4.7	Использование молока.....	205
4.8	Очистка поддона для сбора капель и емкости для кофейного жмыха .....	207
<b>5</b>	<b>Приготовление напитков .....</b>	<b>208</b>
5.1	Приготовление эспрессо или кофе-крема.....	208
5.2	Приготовление капучино.....	209
5.3	Приготовление латте маккиато .....	209
5.4	Подготовка молочной пены или теплого молока.....	210
5.5	Подготовка горячей воды.....	210
5.6	Приготовление других напитков с использованием рецептов.....	211
5.7	Изменение настроек для напитков до, во время и после приготовления .....	213
5.8	Отмена приготовления напитка .....	214
5.9	Приготовление двух напитков одновременно .....	214
<b>6</b>	<b>Сохранение настроек для напитков.....</b>	<b>215</b>
6.1	Изменение предварительных настроек .....	215

<b>7</b>	<b>Изменение основных настроек .....</b>	<b>216</b>
7.1	Настройка языка .....	216
7.2	Настройка автоматического выключения.....	216
7.3	Настройка режима экономии энергии.....	217
7.4	Восстановление заводских установок аппарата.....	218
7.5	Информация о статусе аппарата .....	218
7.6	Настройка тонкости помола.....	219
<b>8</b>	<b>Уход и техническое обслуживание .....</b>	<b>220</b>
8.1	Общая чистка .....	220
8.2	Промывка кофейной системы .....	220
8.3	Демонтаж и чистка блока заваривания.....	221
8.4	Использование программы „Легкая чистка“ .....	222
8.5	Использование программы „Чистка молочной системы“ .....	223
8.6	Использование программы „Чистка кофейной системы“ .....	224
8.7	Использование программы „Удаление накипи“ .....	225
8.8	Настройка жесткости воды .....	226
8.9	Использование фильтра для воды.....	228
<b>9</b>	<b>Неисправности.....</b>	<b>231</b>
<b>10</b>	<b>Транспортировка, хранение и утилизация .....</b>	<b>232</b>
10.1	Выпаривание аппарата .....	232
10.2	Транспортировка аппарата.....	232
10.3	Утилизация аппарата .....	233
<b>11</b>	<b>Технические характеристики.....</b>	<b>233</b>

## Уважаемый покупатель,

благодарим Вас за то, что Вы выбрали кофейный автомат Caffeo® Passione®.

Данное руководство по эксплуатации поможет Вам ознакомиться с разнообразными возможностями аппарата и приготовить кофе, достойный восхищения.

Внимательно прочтите данное руководство. Это позволит Вам исключить опасность травмирования и причинения материального ущерба. Храните данное руководство в надлежащем виде. Данное руководство должно быть передано новому владельцу вместе с аппаратом.

Фирма Melitta не несет ответственности за повреждения, обусловленные несоблюдением требований данного руководства.

При необходимости получения более подробной информации или при наличии вопросов обращайтесь в официальные представительства фирмы Melitta или посетите наш сайт: [www.melitta.ru](http://www.melitta.ru)

Желаем Вам много радостных минут с кофе, приготовленным с помощью нашего нового аппарата.

## 1 Для Вашей безопасности

**CE** Аппарат выполнен в соответствии со следующими европейскими директивами:

- 2006/95/EG (низкое напряжение),
- 2004/108/EG (электромагнитная совместимость),
- 2011/65/EU (Директива об ограничении применения опасных веществ в электрических и электронных приборах),
- 2009/125/EG (Экодизайн/энергопотребляющая продукция).

Аппарат произведен в соответствии с современным уровнем техники. Тем не менее, существуют остаточные риски.

Во избежание опасности необходимо соблюдать указания по технике безопасности. Фирма Melitta не несет ответственности за повреждения, обусловленные несоблюдением указаний по технике безопасности.

## 1.1 Используемые символы

Следующие символы указывают в первую очередь на опасность, которую может представлять обращение с аппаратом, или обозначают полезные советы.

### ОСТОРОЖНО

Сигнальное слово **ОСТОРОЖНО** указывает на опасность травмирования.

### ВНИМАНИЕ

Сигнальное слово **ВНИМАНИЕ** указывает на опасность повреждения аппарата.

### Информация

Сигнальное слово "Информация" обозначает дополнительные указания и советы по обращению с аппаратом.

## 1.2 Применение по назначению

Аппарат предназначается для приготовления кофейных напитков из кофейных зерен, а также для подогрева молока и воды.

Аппарат не предназначен для использования в коммерческих целях.

Любой другой вид применения считается применением не по назначению и может стать причиной получения травм и причинения материального ущерба. Фирма Melitta не несет ответственности за повреждения, причиной которых стало применение аппарата не по назначению.

## 1.3 Опасность, обусловленная электрическим током

В случае повреждения аппарата или сетевого кабеля существует опасность поражения электрическим током, представляющим угрозу Вашему здоровью.

Соблюдайте следующие указания по технике безопасности, чтобы избежать угрозы поражения электрическим током:

- Запрещается использовать поврежденный сетевой кабель.
- Замена поврежденного сетевого кабеля должна выполняться исключительно изготовителем, его службой по работе с клиентами или его сервис-партнером.
- Запрещается открывать кожухи, привинченные болтами к корпусу аппарата.
- Используйте аппарат только в технически исправном состоянии.
- Ремонт поврежденного аппарата должен выполняться исключительно в авторизованной мастерской. Запрещается самостоятельно выполнять ремонт аппарата.
- Запрещается вносить изменения в конструкцию и порядок функционирования аппарата, его компонентов и принадлежностей.
- Не допускайте погружения аппарата в воду.

#### 1.4 Опасность получения ожога

Подаваемая жидкость и пар могут быть очень горячими. Детали аппарата также могут нагреваться до очень высокой температуры.

Соблюдайте следующие указания по технике безопасности, чтобы предотвратить опасность получения ожога:

- Не допускайте попадания подаваемых горячих жидкостей и пара на кожу.
- Во время или непосредственно после приготовления напитков не прикасайтесь к насадкам на выпускном отверстии. Подождите, пока все детали охладятся.

#### 1.5 Общая безопасность

Соблюдайте следующие указания по технике безопасности, чтобы предотвратить опасность травмирования или причинения материального ущерба:

- Запрещается касаться внутренних деталей аппарата в процессе его работы.

- Храните аппарат и сетевой кабель в месте, недоступном для детей младше 8 лет.
- Данный аппарат может использоваться детьми старше 8 лет, а также лицами с ограниченными физическими и психическими возможностями, либо лицами, не имеющими соответствующих знаний и опыта, только под надзором или после получения необходимых инструкций по обращению с данным аппаратом и осведомления о связанных с этим видах опасности.
- Детям запрещается играть с аппаратом. Чистка и техническое обслуживание должны выполняться только лицами старше 8 лет. Детям старше 8 лет разрешается выполнять чистку и техническое обслуживание только под надзором старших.
- Оставляя аппарат на длительное время без присмотра, отсоедините его от сети электропитания.



## 2 Обзор аппарата

### 2.1 Общий вид аппарата

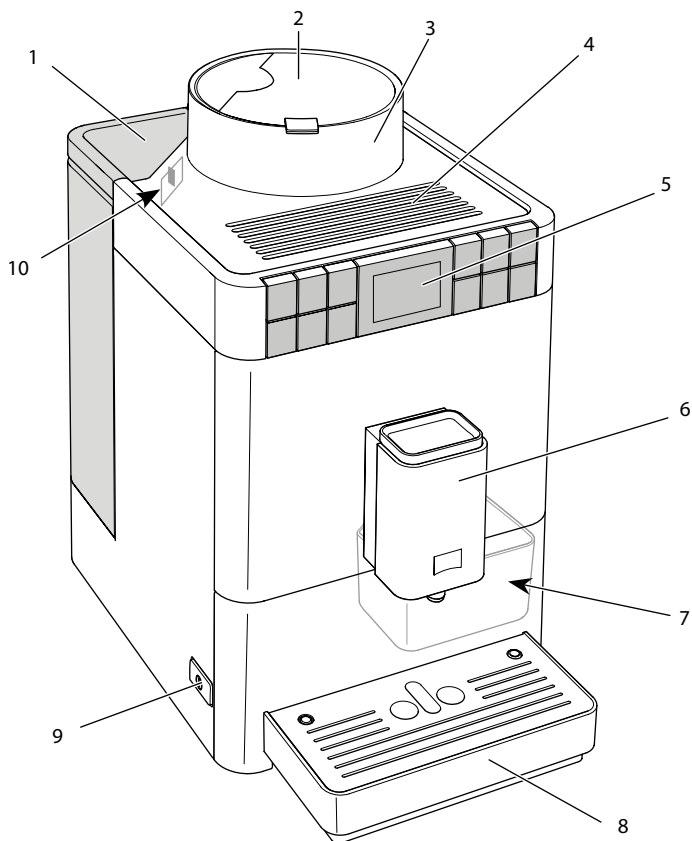
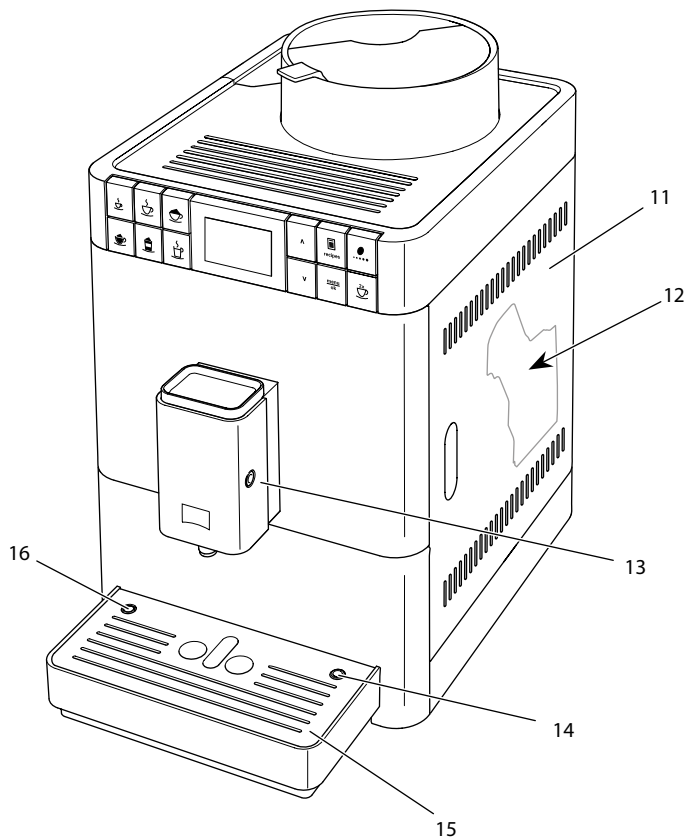


Рис. 1: Вид аппарата спереди слева

- |   |                                      |    |  |
|---|--------------------------------------|----|--|
| 1 | Контейнер для воды с крышкой         | 6  | Регулируемое по высоте выпускное отверстие с 2 насадками для подачи кофе, 1 насадкой для подачи молока, 1 насадкой для подачи горячей воды, подсветкой для чашки |
| 2 | Крышка контейнера для кофейных зерен | 7  | Емкость для кофейного жмыха (внутр.)   |
| 3 | Контейнер для кофейных зерен         | 8  | Поддон для сбора капель  |
| 4 | Подогреваемая подставка для чашек    | 9  | Кнопка "Вкл./Выкл."  |
| 5 | Панель управления                    | 10 | Рычаг "Регулировка тонкости помола" (внутри)   |



Вид аппарата спереди справа

- |  |   |
|--|---|
| 11 Кожух   | 14 Разъем для подключения трубки для молока на поддоне для сбора капель |
| 12 Блок заваривания (внутри)   | 15 Подогреваемая подставка для чашек                                    |
| 13 Разъем для подключения трубки для молока на выпускном отверстии . | 16 Поплавков  |

## 2.2 Общий вид панели управления

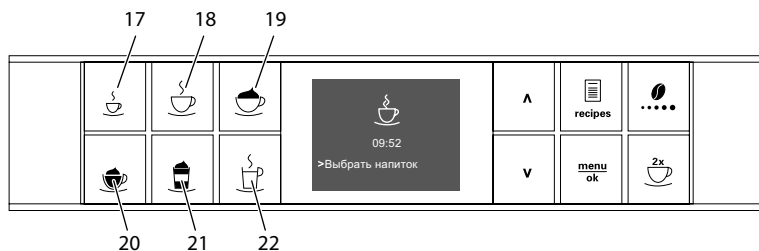


Рис. 2: Кнопки подачи

Поз.	Название	Функция
17	Эспрессо	Приготовление эспрессо
18	Кофе-крем	Приготовление кофе-крема
19	Капучино	Приготовление капучино
20	Молочная пена/ теплое молоко	Подготовка молочной пены и теплого молока
21	Латте маккиато	Приготовление латте маккиато
22	Горячая вода	Подготовка горячей воды

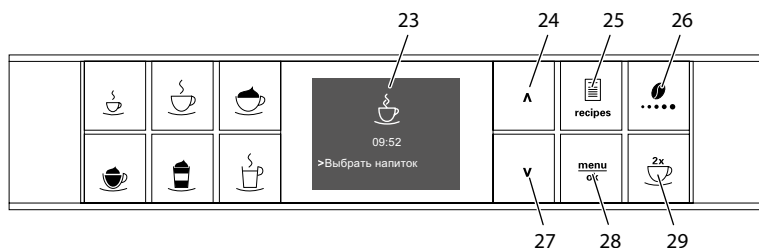


Рис. 3: Дисплей и кнопки

Поз.	Название	Функция
23	Дисплей	Индикация текущих меню и сообщений Пример: индикация готовности
24	Кнопка со стрелкой вверх	Перемещение вверх по меню, или увеличение количества
25	Рецепты	Выбор рецептов и приготовление
26	Крепость кофе	Настройка крепости кофе
27	Кнопка со стрелкой вниз	Перемещение вниз по меню, или уменьшение количества
28	menu/ok	Вызов меню или подтверждение ввода
29	Две чашки	Приготовление двух чашек кофе

## 3 С чего начать

В данной главе описывается порядок подготовки аппарата к использованию.

### 3.1 Распаковка аппарата

Наряду с аппаратом, в упаковке находятся другие принадлежности, например, чистящие средства.

#### **⚠ ОСТОРОЖНО**

**Контакт с чистящими средствами может вызвать раздражение слизистой оболочки глаз и кожных покровов.**

- Храните поставляемые в комплекте чистящие средства в недоступном для детей месте.
- Распакуйте аппарат. Снимите с аппарата упаковочный материал, клейкую ленту и защитную пленку.
- Сохраните упаковочный материал на случай транспортировки и возможной отправки изготовителю.

#### **ℹ Информация**

В аппарате могут находиться остатки кофе или воды. На заводе изготовителя проводится проверка исправности функционирования аппарата.

### 3.2 Проверка комплекта поставки

Проверьте по следующему списку комплектность поставки. В случае отсутствия деталей обратитесь к своему дилеру.

- Приспособление для завинчивания фильтра для воды
- Длинная трубка для молока
- Щетка для чистки
- Средство для чистки кофейных автоматов
- Средство для чистки молочной системы
- Средство для удаления накипи из кофейных автоматов
- Фильтр для воды
- Полоски для определения жесткости воды

В зависимости от исполнения, дополнительно с

- емкостью для молока с короткой трубкой для молока.

### 3.3 Установка аппарата

Соблюдайте следующие указания:

- Не устанавливайте аппарат в помещениях с повышенной влажностью.
- Установите аппарат на устойчивую, ровную и сухую поверхность.
- Не устанавливайте аппарат вблизи моечных раковин и т. п.
- Не устанавливайте аппарат на горячие поверхности.
- Соблюдайте достаточное расстояние (около 10 см) от стены или других предметов. Сверху должно оставаться свободное пространство (не менее 20 см).
- При прокладке кабеля исключите возможность его повреждения в результате соприкосновения с острыми кромками или горячими поверхностями.

### 3.4 Подключение аппарата

Соблюдайте следующие указания:

- Убедитесь в том, что сетевое напряжение соответствует рабочему напряжению, которое указано в технических характеристиках (см. табл. *Технические характеристики* на стр. 233).
- Подключайте аппарат только к установленной в соответствии с предписаниями розетке. При наличии сомнений проконсультируйтесь со специалистом по электротехнике.
- Розетка с защитным контактом должна быть оснащена предохранителем не менее чем на 10 А.

### 3.5 Первое включение аппарата

Во время первого включения можно настроить язык и жесткость воды. Впоследствии настройки можно изменить (см. главу 7 *Изменение основных настроек* на стр. 216 и главу 8.8 *Настройка жесткости воды* на стр. 226).

Для определения жесткости воды используйте прилагающуюся индикаторную полоску. Соблюдайте инструкции, указанные на упаковке индикаторной полоски, и в таблице *Поз. на стр. 195*.

#### **И** Информация

- Рекомендуется не употреблять первые две чашки кофе после первого включения.
- Если Вы хотите использовать фильтр для воды, то его рекомендуется установить только после первого включения.

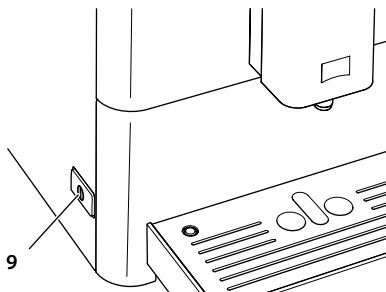


Рис. 4: Кнопка "Вкл./Выкл."

**Необходимое условие:** аппарат установлен и подключен.

1. Подставьте емкость под выпускное отверстие.
2. Нажмите на кнопку "Вкл./Выкл." .
  - » На дисплее появится приветственная надпись.
  - » Появится запрос на выполнение настройки: *Выполните настройки аппарата.*
3. Подтвердите действие, нажав на кнопку "menu/ok".
  - » Появится меню *Язык*.
4. Выберите с помощью кнопок со стрелками нужный язык. Подтвердите действие, нажав на кнопку "menu/ok"
  - » Появится меню *Жесткость воды*.
5. Выберите с помощью кнопок со стрелками определенную жесткость воды или подтвердите предварительно установленное значение, нажав на "menu/ok".
  - » Появится запрос *Пожалуйста, наполните и вставьте контейнер для воды.*
6. Снимите контейнер для воды. Промойте его чистой водой. Наполните контейнер свежей водой и вставьте на место.
  - » Аппарат нагреется и выполнит автоматическую промывку.
  - » На дисплее появится индикатор готовности.
7. Засыпьте кофейные зерна в соответствующий контейнер. Дополнительную информацию см. в главе 4.4 *Засыпание кофейных зерен в контейнер на стр. 202.*
  - » При необходимости, теперь можно установить фильтр для воды (см. главу 8.9 *Использование фильтра для воды на стр. 228).*

## 4 Основные принципы управления

В данной главе описываются основные этапы управления, необходимые для повседневного использования аппарата.

### 4.1 Включение и выключение аппарата

Перед первым включением аппарата прочтите главу 3.5 *Первое включение аппарата* на стр. 197.

#### И

- При включении и выключении аппарат выполняет автоматическую промывку.
- Используемая при промывке вода выводится в поддон для сбора капель.

#### Включение аппарата

1. Подставьте емкость под выпускное отверстие.
2. Нажмите на кнопку "Вкл./Выкл." (9).
  - » На дисплее появится приветственная надпись.
  - » Аппарат нагреется и выполнит автоматическую промывку.
- » На дисплее появится индикатор готовности.

#### И

Если аппарат был выключен лишь на короткое время, то после включения не выполняется автоматическая промывка.

#### Выключение аппарата

1. Подставьте емкость под выпускное отверстие.
2. Нажмите на кнопку "Вкл./Выкл." (9).
  - » Аппарат выполнит автоматическую промывку.
- » Затем аппарат выключится.

#### И

- Аппарат автоматически выключится в случае продолжительного простоя. В данном случае также будет выполнена автоматическая промывка.
- Время до отключения можно настроить в меню *Автовыключение*, см. главу 7.2 *Настройка автоматического выключения* на стр. 216.
- Если после включения напиток не готовились, или контейнер для воды оставался пустым, промывка не выполняется.

## 4.2 Порядок использования панели управления

Управление наиболее важными программами выполняется с помощью специальной панели.

Нажмите на требуемую кнопку. Для управления аппаратом с помощью кнопок используются следующие действия:



### Краткое нажатие

Нажмите на кнопку, чтобы выбрать программу.



### Продолжительное нажатие

Удерживайте кнопку нажатой в течение более 2 секунд, чтобы выбрать имеющуюся вторую программу.

## 4.3 Навигация по меню

Для индивидуальной настройки напитков, технического обслуживания и ухода необходимо вызвать меню на дисплее и переместиться в нужный пункт меню.

Соблюдайте указания, данные на дисплее.

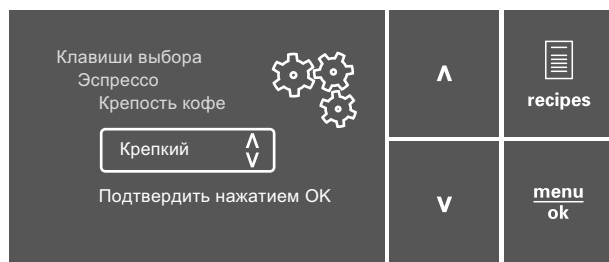


Рис. 6: Дисплей (пример) и кнопки для навигации

Для навигации по меню используйте следующие возможности:

### Вызов меню и подтверждение выбора



Удерживайте кнопку "menu/ok" нажатой в течение более 2 секунд, чтобы вызвать меню.

Нажмите на кнопку "menu/ok", чтобы подтвердить свой выбор.



## Навигация по меню или изменение числового значения

**▼ ▲** Нажмите на кнопки со стрелками, чтобы переместиться вниз или вверх по меню.

Нажмите на кнопки со стрелками, чтобы увеличить или уменьшить числовое значение.

Удерживайте кнопку со стрелкой нажатой, чтобы быстро перейти к требуемой позиции или требуемому числовому значению.

## Выход из меню

**Exit** С помощью кнопок со стрелками выберите команду *Выход* и подтвердите нажатием на "menu/ok", чтобы выйти из меню. Выход из подменю, в которых только отображается информация и не осуществляются настройки, осуществляется посредством нажатия на "menu/ok".

## Вызов подменю

Доступ к некоторым программам осуществляется посредством последовательного вызова нескольких подменю.

Вызов подменю выполняется всегда одинаково. Например, здесь приводится описание перехода к программе *Удаление накипи*.

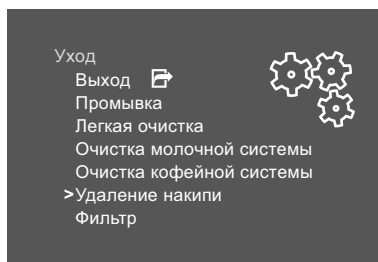


Рис. 7: Переход к программе очистки от накипи

1. Удерживайте кнопку "menu/ok" нажатой в течение 2 секунд.  
» На дисплее появится меню.
2. С помощью кнопок со стрелками выберите опцию *Уход* и подтвердите выбор нажатием на "menu/ok".
3. С помощью кнопок со стрелками выберите опцию *Удаление накипи* и подтвердите выбор нажатием на "menu/ok".

В данном руководстве по эксплуатации выбор программы всегда отображается в сокращенном виде:

- Перейдите к меню Уход > Удаление накипи

#### 4.4 Засыпание кофейных зерен в контейнер

Обжаренные кофейные зерна теряют свой аромат. Засыпьте в резервуар столько кофейных зерен, сколько сможете употребить за ближайшие 3–4 дня.

##### ВНИМАНИЕ

**Использование неподходящих сортов кофе может привести к засорению кофемолки.**

- Не используйте кофейные зерна, высушенные методом сублимации, или карамелизованные зерна.
- Не используйте молотый кофе или быстрорастворимые продукты.

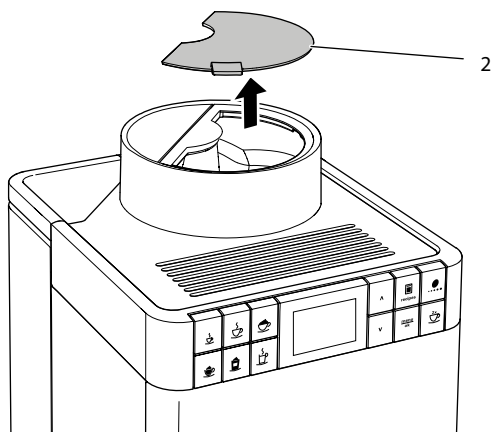


Рис. 8: Открытие крышки контейнера для кофейных зерен

1. Откройте крышку (2) контейнера для кофейных зерен.
2. Засыпьте кофейные зерна в соответствующий контейнер.
3. Закройте крышку контейнера для кофейных зерен.

## 4.5 Наполнение водой

Для оптимального вкуса напитка используйте только свежую холодную негазированную воду. Меняйте воду каждый день.

### **И** Информация

Качество воды в значительной степени определяет вкус напитка. Поэтому используйте фильтр для воды (см. главу 8.8 *Настройка жесткости воды* на стр. 226 и главу 8.9 *Использование фильтра для воды* на стр. 228).

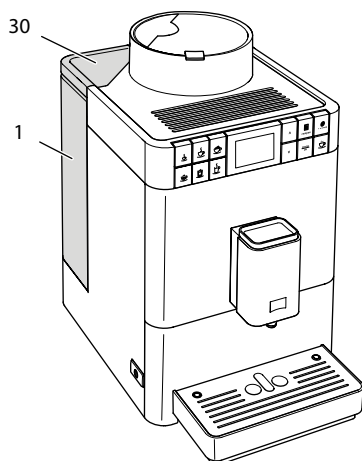


Рис. 9: Контейнер для воды

1. Откройте крышку контейнера для воды (30) и извлеките контейнер (1) из аппарата, потянув за ручку вверх.
2. Наполните контейнер водой.
3. Вставьте контейнер для воды в аппарат сверху и закройте крышку.

## 4.6 Настройка выпускного отверстия

Выпускное отверстие (6) регулируется по высоте. Установите минимальное расстояние между выпускным отверстием и емкостью. Отрегулируйте высоту выпускного отверстия в зависимости от емкости.

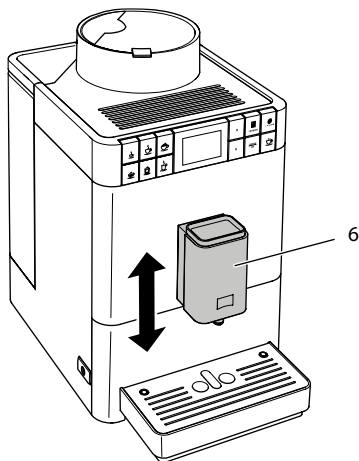


Рис. 10: Настройка выпускного отверстия

## 4.7 Использование молока

Для оптимального вкуса напитка рекомендуется использовать охлажденное молоко. В зависимости от исполнения аппарата, используйте поставляемые в комплекте длинную трубку для молока или емкость для молока.

### Подключение емкости для молока

Не во всех исполнениях аппарата Caffeo® Passione® имеется емкость для молока.

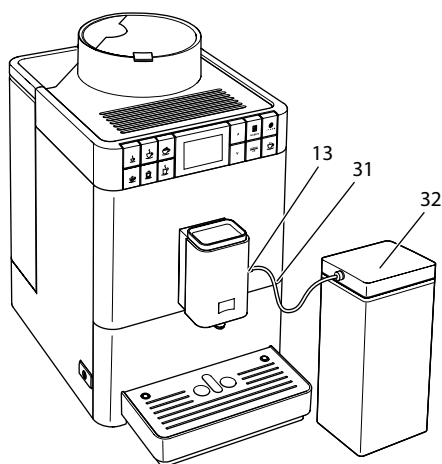


Рис. 11: Подключенная емкость для молока

1. Соедините трубку для молока (31) с разъемом на выпускном отверстии (13).
2. Соедините свободный конец трубки для молока с емкостью для молока (32).

#### **I** Информация

Храните емкость для молока в холодильнике.

## Подключение упаковки молока

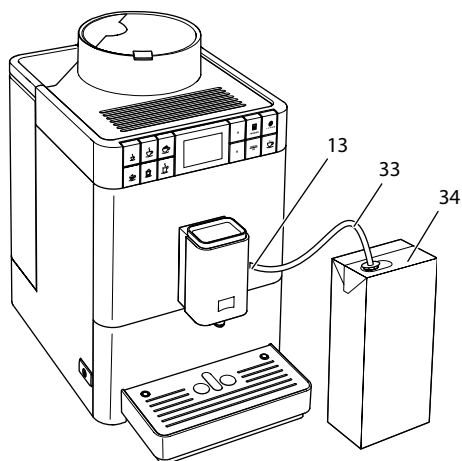


Рис. 12: Подключенная стандартная упаковка молока

1. Соедините длинную трубку для молока (33) с разъемом на выпускном отверстии (13).
2. Вставьте свободный конец трубки для молока в стандартную упаковку молока (34).

## 4.8 Очистка поддона для сбора капель и емкости для кофейного жмыха

Через несколько циклов приготовления напитков поддон для сбора капель (8) и емкость для кофейного жмыха (7) могут переполниться. Уровень наполнения поддона для сбора капель показывает выступающий поплавок (16).

Через определенное количество циклов приготовления напитков аппарат также указывает на то, что поддон для сбора капель и емкость для кофейного жмыха переполнены. Всегда опорожняйте поддон для сбора капель и емкость для кофейного жмыха.

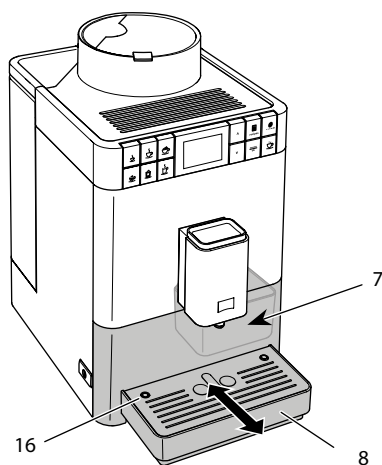


Рис. 13: Очистка поддона для сбора капель и емкости для кофейного жмыха

1. Извлеките поддон (8) из аппарата, потянув его вперед.
2. Снимите емкость для кофейного жмыха (7) и удалите жмых.
3. Слейте жидкость из поддона для сбора капель.
4. Вставьте емкость для кофейного жмыха на место.
5. Задвиньте поддон в аппарат до упора.

### **И** Информация

При опорожнении поддона для сбора капель и емкости для кофейного жмыха в то время, как аппарат выключен, он не регистрирует этот процесс. Поэтому запрос на очистку может выдаваться несмотря на то, что поддон для сбора капель и емкость для кофейного жмыха еще не полностью заполнены.

## 5 Приготовление напитков

Для приготовления напитков предусматривается две возможности:

- стандартный вариант, как описано ниже,
- выбор и приготовление по рецепту (см. главу 5.6 *Приготовление других напитков с использованием рецептов* на стр. 211).

### Информация

- Предварительные настройки стандартного приготовления или приготовления по рецепту можно изменить (см. главу 6.1 *Изменение предварительных настроек* на стр. 215).

Обратите внимание:

- В контейнере для воды всегда должно находиться достаточно воды. Если уровень наполнения недостаточен, аппарат выдаст запрос на наполнение.
- В контейнере для кофейных зерен также всегда должно иметься достаточное количество кофейных зерен. Если больше не имеется кофейных зерен, то аппарат прерывает приготовление кофейного напитка.
- Индикация на случай отсутствия молока не предусматривается.
- Емкости для напитков должны быть достаточно большими (см. таблицу *Заводские установки* на стр. 234).

### 5.1 Приготовление эспрессо или кофе-крема



**Необходимое условие:** на дисплее отображается индикатор готовности.

1. Подставьте емкость под выпускное отверстие.
2. Нажмите на кнопку подачи "Эспрессо" или "Кофе-крем".
  - » Начнется процесс помола и подачи напитка.
  - » Подача напитка закончится автоматически.
3. Снимите емкость с подставки.
  - » На дисплее появится индикатор готовности.



## 5.2 Приготовление капучино



Необходимое условие: на дисплее отображается индикатор готовности, и подача молока подключена.

1. Подставьте емкость под выпускное отверстие.
  2. Нажмите на кнопку подачи "Капучино".
    - » Начнется процесс помола и подачи кофе.
    - » Подача кофе закончится автоматически.
    - » Начнется подача молока.
    - » Подача напитка закончится автоматически.
  3. Снимите емкость с подставки.
    - » На дисплее появится *Легкая очистка? (ОК для запуска)*.
  4. Можно выполнить программу Легкая очистка или продолжить приготовление напитков.
    - а) Выполните программу Легкая очистка. Следуйте при этом инструкциям на дисплее. Информацию по данной теме см. в главе 8.4 *Использование программы „Легкая чистка“* на стр. 222.
    - б) Приготовьте другие напитки, а позднее выполните программу Легкая очистка.
- » На дисплее появится индикатор готовности.

## 5.3 Приготовление латте маккиато



Необходимое условие: на дисплее отображается индикатор готовности, и подача молока подключена.

1. Подставьте емкость под выпускное отверстие.
2. Нажмите на кнопку подачи "Латте маккиато".
  - » Начнется подача молока.
  - » Подача молока закончится автоматически.
  - » Начнется процесс помола и подачи кофе.
  - » Подача напитка закончится автоматически.
3. Снимите емкость с подставки.
  - » На дисплее появится *Легкая очистка? (ОК для запуска)*.
4. Можно выполнить программу Легкая очистка или продолжить приготовление напитков.
  - а) Выполните программу Легкая очистка. Следуйте при этом инструкциям на дисплее. Информацию по данной теме см. в главе 8.4 *Использование программы „Легкая чистка“* на стр. 222.

- b) Приготовьте другие напитки, а позднее выполните программу Легкая очистка.

» На дисплее появится индикатор готовности.

## 5.4 Подготовка молочной пены или теплого молока



Подготовка молочной пены и теплого молока выполняется в аналогичном порядке.

Необходимое условие: на дисплее отображается индикатор готовности, и подача молока подключена.

1. Подставьте емкость под выпускное отверстие.
2. Нажмите на кнопку подачи "Молочная пена/теплое молоко".
  - a) Молочная пена = нажмите на кнопку
  - b) Теплое молоко = Продолжительно нажмите на кнопку (2 секунды)
    - » Начнется подача молока.
    - » Подача напитка закончится автоматически.
3. Снимите емкость с подставки.
  - » На дисплее появится *Легкая очистка? (ОК для запуска)*.
4. Можно выполнить программу Легкая очистка или продолжить приготовление напитков.
  - a) Выполните программу Легкая очистка. Следуйте при этом инструкциям на дисплее. Информацию по данной теме см. в главе 8.4 *Использование программы „Легкая чистка“* на стр. 222.
  - b) Приготовьте другие напитки, а позднее выполните программу Легкая очистка.
    - » На дисплее появится индикатор готовности.

## 5.5 Подготовка горячей воды



Необходимое условие: на дисплее появился индикатор готовности.

1. Подставьте емкость под выпускное отверстие.
2. Нажмите на кнопку подачи "Горячая вода".
  - » Начнется подача горячей воды.
  - » Подача напитка закончится автоматически.
3. Снимите емкость с подставки.
  - » На дисплее появится индикатор готовности.

## 5.6 Приготовление других напитков с использованием рецептов



Наряду со стандартными напитками, в меню *Рецепты* можно выбрать другие напитки. Предлагаются следующие виды кофейных напитков на выбор:

Кофейные напитки без молока:

- ристретто,
- лунго,
- американо.

Кофейные напитки с молоком:

- эспрессо маккиато,
- латте,
- кофе с молоком.

### Приготовление ристретто, лунго или американо

Ристретто, лунго или американо приготавливаются похожим образом.

Пример: приготовление ристретто.

**Необходимое условие:** на дисплее отображается индикатор готовности.

1. Подставьте емкость под выпускное отверстие.
2. Нажмите на кнопку "Рецепты".
  - » На дисплее появится меню *Рецепты*.
3. Выберите с помощью кнопок со стрелками *Ристретто*.
4. Подтвердите выбор, нажав на "меню/ок".
  - » Начнется процесс помола и подачи напитка.
  - » Подача напитка закончится автоматически.
5. Снимите емкость с подставки.
  - » На дисплее появится индикатор готовности.

## Приготовление эспрессо маккиато, латте или кофе с молоком

Эспрессо маккиато, латте или кофе с молоком приготавливаются похожим образом. Пример: приготовление эспрессо маккиато.

Необходимое условие: на дисплее отображается индикатор готовности, и подача молока подключена.

1. Подставьте емкость под выпускное отверстие.
2. Нажмите на кнопку "Рецепты".
  - » На дисплее появится меню *Рецепты*.
3. Выберите с помощью кнопок со стрелками *Эспрессо маккиато*.
4. Подтвердите выбор, нажав на "menu/ok".
  - » Начнется процесс помола и подачи кофе.
  - » Подача кофе закончится автоматически.
  - » Начнется подача молока.
  - » Подача напитка закончится автоматически.
5. Снимите емкость с подставки.
  - » На дисплее появится *Легкая очистка? (ОК для запуска)*.
6. Можно выполнить программу Легкая очистка или продолжить приготовление напитков.
  - a) Выполните программу Легкая очистка. Следуйте при этом инструкциям на дисплее. Информацию по данной теме см. в главе 8.4 *Использование программы „Легкая чистка“* на стр. 222.
  - b) Приготовьте другие напитки, а позднее выполните программу Легкая очистка.
  - » На дисплее появится индикатор готовности.

## 5.7 Изменение настроек для напитков до, во время и после приготовления

Можно изменить настройки для напитков во время и после приготовления.

### И

#### Информация

Следующие настройки действуют только непосредственно при приготовлении напитка.

### Изменение настроек для напитков до приготовления

Можно изменять общий объем напитка и крепость кофе до того, как будет выбран напиток.



- Прежде чем выбрать напиток, кнопками со стрелками установите нужный объем напитка.
- Прежде чем выбрать напиток, настройте с помощью кнопки "Крепость кофе" крепость кофе.

### И

#### Информация

- При приготовлении смешанных напитков общий объем напитка подразделяется в соответствии с заданным соотношением. Это касается смешанных напитков из кофе с молоком или горячей водой.
- Если в течение 1 минуты не выполняется приготовление напитка, аппарат переходит к стандартным настройкам.

### Изменение настроек для напитков в процессе приготовления

Можно изменять объем напитка и крепость кофе в процессе приготовления напитка.



- Во время подачи напитка установите кнопками со стрелками объем соответствующего напитка.
- В процессе помола настройте с помощью кнопки "Крепость кофе" крепость кофе.

## 5.8 Отмена приготовления напитка

В случае необходимости отмены приготовления напитка нажмите на любую кнопку подачи.

## 5.9 Приготовление двух напитков одновременно



С помощью кнопки "Две чашки" можно одновременно приготовить две порции напитка. Приготовление двух чашек кофе возможно только при получении чистого кофе, например, эспрессо, кофе-крем, ристретто. Приготовление двух чашек кофе не возможно при приготовлении горячей воды, горячего молока, а также всех смешанных напитков.

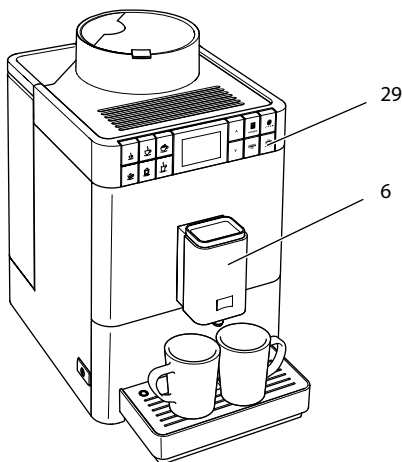


Рис. 14: Приготовление двух чашек кофе

1. Подставьте две емкости под выпускное отверстие (6).
2. Нажмите на кнопку "Две чашки" (29).
3. Для приготовления напитка действуйте в порядке, описанном для соответствующего вида напитка.

### 📌 Информация

- Настройка действует только для одного единственного приготовления напитка.
- Если в течение 1 минуты не выполняется приготовление напитка, аппарат переходит в режим приготовления одной чашки напитка.

## 6 Сохранение настроек для напитков

Аппарат предусматривает дополнительные возможности для приготовления кофейных напитков. Можно использовать предварительно заданные рецепты или сохранять настройки для напитков.

### 6.1 Изменение предварительных настроек

В зависимости от напитка можно изменить следующие предварительные настройки:

- **Количество кофе:** от 25 мл до 220 мл,
- **Количество молока или количество молочной пены:** от 25 мл до 220 мл,
- **Объем горячей воды:** от 25 мл до 220 мл,
- **Крепость кофе:** экстрамягкий, мягкий, нормальный, крепкий, очень крепкий,
- **Температура:** низкая, нормальная, высокая.

#### И

Измененные предварительные настройки сохраняются до тех пор, пока не будут внесены новые изменения.

Изменение настроек для напитков аналогично для всех напитков. Здесь описывается пример изменения крепости кофе для одного эспрессо.

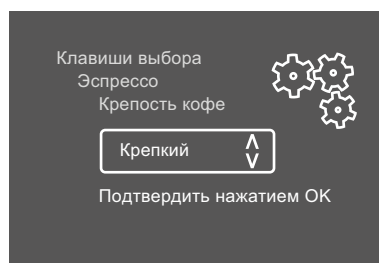


Рис. 15: Настройка крепости кофе

**Необходимое условие:** на дисплее отображается индикатор готовности.

1. Удерживайте кнопку "menu/ok" нажатой в течение более 2 секунд.
  - » На дисплее появится меню.
2. Перейдите к меню *Кнопки подачи > Эспрессо > Крепость кофе*.
3. С помощью кнопок со стрелками выберите нужную крепость кофе и подтвердите выбор, нажав на "menu/ok".
4. Выберите повторно команду *Выход*, чтобы выйти из меню.

- » На дисплее появится индикатор готовности.
- » В следующий раз при приготовлении эспрессо будет использоваться вновь выбранная настройка крепости кофе.

## 7 Изменение основных настроек

В следующей главе описываются этапы управления, необходимые для изменения основных настроек аппарата.

### 7.1 Настройка языка

Можно настроить язык отображения текстов на дисплее.

**Необходимое условие:** на дисплее отображается индикатор готовности.

1. Удерживайте кнопку "menu/ok" нажатой в течение более 2 секунд.
  - » На дисплее появится меню.
2. Перейдите в меню *Язык*.
3. С помощью кнопок со стрелками выберите язык и подтвердите выбор, нажав на "menu/ok".
4. Выйдите из меню с помощью команды Выход
  - » На дисплее появится индикатор готовности.

### 7.2 Настройка автоматического выключения

Аппарат автоматически выключится по истечении установленного времени в случае продолжительного простоя. Это значение времени можно настроить в меню *Автовыключение*.

#### Настройка продолжительности времени для автоматического отключения

**Необходимое условие:** на дисплее отображается индикатор готовности.

1. Удерживайте кнопку "menu/ok" нажатой в течение более 2 секунд.
  - » На дисплее появится меню.
2. Перейдите в меню *Автовыключение*.
3. С помощью кнопок со стрелками выберите время и подтвердите выбор, нажав на "menu/ok".
4. Выйдите из меню с помощью команды Выход
  - » На дисплее появится индикатор готовности.



**И** Информация

Автоматическое отключение нельзя деактивировать полностью. Аппарат автоматически отключится по истечении не более 8 часов.

### 7.3 Настройка режима экономии энергии

В режиме экономии энергии снижается температура нагрева.

В случае продолжительного простоя по истечении заданного времени аппарат автоматически переключится в режим экономии энергии. После этого на дисплее появится запрос *Нажать любую кнопку*. Если выполнить запрос, то режим экономии энергии завершается.

В меню *Режим экономии энергии* задайте время, которое должно пройти до момента перехода аппарата в режим экономии энергии.

**Необходимое условие:** на дисплее отображается индикатор готовности.

1. Удерживайте кнопку "menu/ok" нажатой в течение более 2 секунд.
    - » На дисплее появится меню.
  2. Перейдите в меню *Режим экономии энергии*.
  3. С помощью кнопок со стрелками выберите период времени и подтвердите выбор, нажав на "menu/ok".
  4. Выйдите из меню с помощью команды Выход
- » На дисплее появится индикатор готовности.

**И** Информация

Режим экономии энергии нельзя деактивировать полностью. Не более чем через 4 часа простоя аппарат переключится в режим экономии энергии.

## 7.4 Восстановление заводских установок аппарата

Можно восстановить заводские установки аппарата.

### Информация

В случае восстановления заводских установок аппарата теряются все персональные настройки.

**Необходимое условие:** на дисплее отображается индикатор готовности.

1. Удерживайте кнопку "menu/ok" нажатой в течение более 2 секунд.
  - » На дисплее появится меню.
2. Перейдите в меню *Система* > Заводские установки.
3. С помощью кнопок со стрелками выберите *Сброс* и подтвердите выбор, нажав на "menu/ok".
  - » На дисплее появится индикатор готовности.

## 7.5 Информация о статусе аппарата

Информацию о статусе аппарата можно получить в меню *Система* > *Статистика*. Для выхода из меню нажмите на кнопку "menu/ok".

В следующей таблице приводится обзор значений информации.

Информация	Значение
<i>Итого подач</i>	Количество напитков, которые были приготовлены с момента первого включения аппарата.
<i>Удалений накипи</i>	Количество циклов удаления накипи.
<i>Кофейная система очищена</i>	Количество выполненных чисток.
<i>Молочная система очищена</i>	Количество выполненных чисток.
<i>Фильтр заменен</i>	Количество выполненных замен фильтра.

Индикатор выполнения отображает оставшееся количество циклов приготовления напитка до того, как аппарат выдаст запрос на проведение чистки, удаления накипи или замены фильтра.

### Версия программного обеспечения

Информацию о версии программного обеспечения можно получить в меню *Система* > *Версия ПО*. Для выхода из меню нажмите на кнопку "menu/ok".

## 7.6 Настройка тонкости помола

Тонкость помола кофе влияет на вкус кофе. Аппарат поставляется с оптимальной настройкой тонкости помола. Рекомендуется выполнять настройку тонкости помола не ранее чем через 1000 подач кофе (примерно через 1 год).

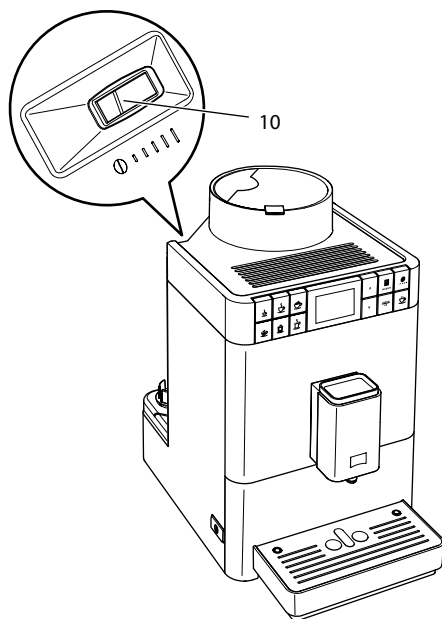


Рис. 16: Рычаг настройки тонкости помола

1. Снимите контейнер для воды.
  - » В корпусе становится виден рычаг "Регулировка тонкости помола" (10).
2. Переместите рычаг влево или вправо, как показано на Рис. 16.
  - Влево = более мелкий помол
  - Вправо = более крупный помол
3. Установите контейнер для воды на место.

### **И** Информация

- Если настроить более мелкий помол, то вкус кофе станет крепче.
- Признак оптимальной настройки тонкости помола - равномерное поступление кофе из выпускного отверстия и получение легкого густого крема.

## 8 Уход и техническое обслуживание

Регулярное выполнение ухода и технического обслуживания прибора позволит обеспечить неизменно высокое качество ваших напитков.

### 8.1 Общая чистка

Регулярно проводите чистку аппарата. Безотлагательно удалите внешние загрязнения в виде пятен молока и кофе.

#### ВНИМАНИЕ

**Использование неподходящих чистящих средств может стать причиной появления царапин на поверхностях.**

- Не используйте абразивные ткани, губки и чистящие средства.

**Необходимое условие:** аппарат выключен.

- Выполняйте наружную чистку аппарата при помощи мягкой, влажной ткани и стандартных средств для мытья посуды.
- Промойте поддон для сбора капель и емкость для кофейного жмыха. При этом используйте мягкую, влажную салфетку и стандартное средство для мытья посуды.
- Для чистки контейнера для зерен используйте мягкую, сухую ткань.
- Емкость для кофейного жмыха (7), подставку под чашки (15) и емкость для молока (без крышки, трубки для молока и напорной трубки) можно мыть в посудомоечной машине.

### 8.2 Промывка кофейной системы

Выполняется промывка насадок на выпускном отверстии и внутренних деталей кофейной системы. Через нее вода для промывки проходит из внутренней камеры в поддон для сбора капель.

При включении и выключении аппарат выполняет автоматическую промывку.

Промывка также может выполняться вручную:

**Необходимое условие:** на дисплее отображается индикатор готовности.

1. Подставьте емкость под выпускное отверстие.
2. Удерживайте кнопку "menu/ok" нажатой в течение более 2 секунд.
  - » На дисплее появится меню.
3. Перейдите к меню *Уход > Промывка*.

- » Аппарат выполнит автоматическую промывку.
- » На дисплее появится индикатор готовности.

### 8.3 Демонтаж и чистка блока заваривания

Во избежание повреждения аппарата рекомендуется выполнять чистку блока заваривания один раз в неделю.

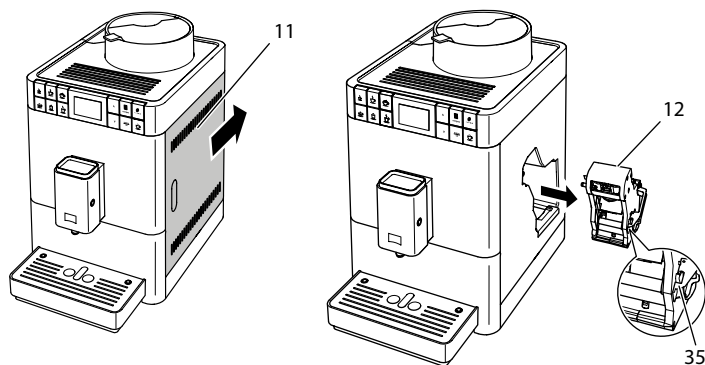


Рис. 17: Извлечение блока заваривания

**Необходимое условие:** аппарат выключен.

1. Откройте кожух (11). Для этого возьмитесь за углубление с правой стороны аппарата и сместите кожух назад. Снимите кожух.
2. Нажмите и удерживайте нажатым красный рычаг (35) на ручке блока заваривания (12), поверните рукоятку по часовой стрелке до упора со щелчком.
3. Вытащите блок заваривания за ручку из аппарата.

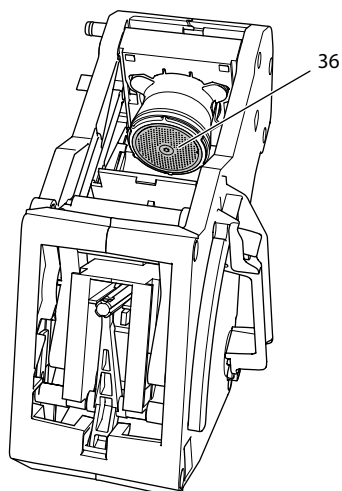


Рис. 18: Чистка блока заваривания

4. Основательно промойте блок заваривания под проточной водой со всех сторон.
  - » Блок заваривания и сито (36) очищены от остатков кофе.
5. Подождите, пока с блока заваривания стечет вода.
6. С помощью мягкой сухой ткани удалите остатки кофе с поверхностей внутри аппарата.
7. Вставьте блок заваривания в аппарат. Нажмите и удерживайте нажатым красный рычаг на ручке блока заваривания, поверните ручку против часовой стрелки до упора со щелчком.
8. Закройте кожух. Для этого вставьте кожух в аппарат и переместите его вперед до характерного щелчка.

## 8.4 Использование программы „Легкая чистка“

С помощью программы "Легкая чистка" выполняется промывка молочной системы.

Каждый раз после приготовления напитка с молоком аппарат выдает запрос на выполнение программы Легкая чистка.

Также можно выполнить программу Легкая чистка вручную.

**Необходимое условие:** на дисплее отображается индикатор готовности.

1. Подставьте емкость под выпускное отверстие.
2. Удерживайте кнопку "menu/ok" нажатой в течение более 2 секунд.
  - » На дисплее появится меню.

3. Перейдите в меню *Уход > Легкая чистка*.
  4. С помощью кнопок со стрелками выберите опцию *Запуск* и подтвердите выбор, нажав на "меню/ок".
  5. Следуйте дальнейшим инструкциям на дисплее до завершения программы Легкая чистка.
- » На дисплее появится индикатор готовности.

## 8.5 Использование программы „Чистка молочной системы“

Для очистки молочной системы требуется средство для чистки молочных систем.

Из соображений гигиены, а также во избежание повреждений аппарата рекомендуем выполнять программу чистки раз в неделю.

Программа чистки длится около 3 минут и не должна прерываться.

### ВНИМАНИЕ

**Использование неподходящих средств для чистки молочной системы может стать причиной повреждения аппарата.**

- Используйте только средство для чистки молочных систем Melitta® PERFECT CLEAN Espresso Machines.

**Необходимое условие:** на дисплее отображается индикатор готовности.

1. Подставьте емкость для кофейного жмыха (7) или емкость не менее чем на 0,7 литра под выпускное отверстие.
  2. Удерживайте кнопку "меню/ок" нажатой в течение более 2 секунд.
    - » На дисплее появится меню.
  3. Перейдите к меню *Уход > Чистка молочной системы*.
  4. С помощью кнопок со стрелками выберите опцию *Запуск* и подтвердите выбор, нажав на "меню/ок".
  5. Следуйте дальнейшим инструкциям на дисплее до завершения программы чистки.
- » На дисплее появится индикатор готовности.

## Чистка молочной системы

Дополнительно рекомендуется регулярно проводить чистку молочной системы, трубки и емкости для молока (в зависимости от модели).

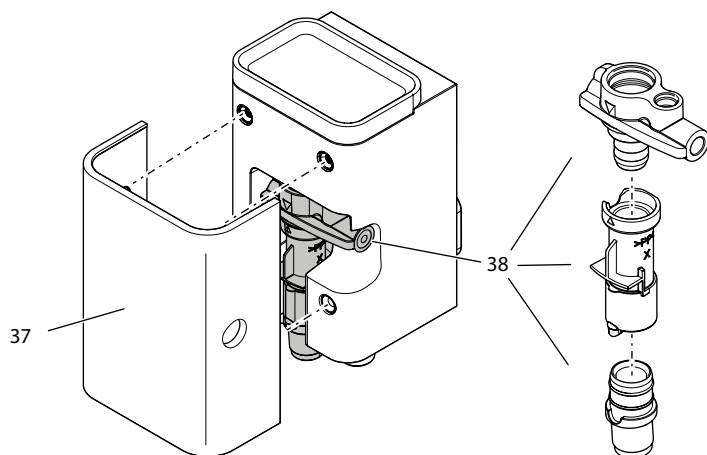


Рис. 19: Демонтаж молочной системы

Для демонтажа молочной системы выполните следующие действия:

**Необходимо условие:** трубка для молока снята с аппарата.

1. Потяните кожух (37) выпускного отверстия вперед.
2. Прижмите молочную систему (38) вниз и извлеките ее.
3. Разберите молочную систему на три части, как показано выше.
4. Выполните чистку отдельных деталей теплой водой. Используйте поставляемую в комплекте щетку, мягкую ткань и стандартное средство для мытья посуды.

Установка системы выполняется в обратном порядке.

## 8.6 Использование программы „Чистка кофейной системы“

Программа „Чистка кофейной системы“ позволяет удалять пятна и остатки кофейного масла с помощью средства для чистки кофейных автоматов.

Во избежание повреждений аппарата рекомендуется выполнять программу чистки каждые 2 месяца, или в случае появления запроса, генерируемого аппаратом.

Программа чистки длится около 10 минут и не должна прерываться.



**⚠ ОСТОРОЖНО**

**Контакт со средством для чистки кофейных автоматов может стать причиной раздражения слизистых оболочек глаз и кожи.**

- Соблюдайте инструкции по применению, указанные на упаковке средства для чистки.

**ВНИМАНИЕ**

**Использование неподходящих средств для чистки кофейных автоматов может стать причиной повреждения аппарата.**

- Используйте только таблетки для чистки Melitta® PERFECT CLEAN Espresso Machines.

**Необходимое условие:** на дисплее отображается индикатор готовности.

1. Удерживайте кнопку "menu/ok" нажатой в течение более 2 секунд.
  - » На дисплее появится меню.
2. Перейдите к меню *Уход > Чистка кофейной системы*.
3. С помощью кнопок со стрелками выберите опцию *Запуск* и подтвердите выбор, нажав на "menu/ok".
4. Следуйте дальнейшим инструкциям на дисплее до завершения программы чистки.
  - » На дисплее появится индикатор готовности.

## 8.7 Использование программы „Удаление накипи“

Программа удаления накипи позволяет удалять отложения извести внутри аппарата с помощью средства для удаления накипи для кофейных автоматов.

Во избежание повреждения аппарата рекомендуется выполнять программу по удалению накипи каждые 3 месяца – либо при появлении запроса, генерируемого аппаратом.

Выполнение программы удаления накипи занимает около 25 минут и не должно прерываться.

**⚠ ОСТОРОЖНО**

**Контакт со средством для удаления накипи из кофейных автоматов может стать причиной раздражения слизистых оболочек глаз и кожи.**

- Соблюдайте инструкции по применению, указанные на упаковке средства для удаления накипи.

**ВНИМАНИЕ**

**Использование неподходящих средств для удаления накипи может стать причиной повреждения аппарата.**

- Используйте только жидкое средство для удаления накипи Melitta® ANTI CALC Espresso Machines.

**ВНИМАНИЕ**

**Завинченный фильтр для воды в процессе выполнения программы по удалению накипи может стать причиной повреждения аппарата.**

- Снимите фильтр для воды при поступлении соответствующего запроса от аппарата.
- В процессе выполнения программы по удалению накипи поместите фильтр для воды в емкость с водопроводной водой.
- После завершения программы по удалению накипи можно снова вставить фильтр для воды и использовать его дальше.

**Необходимое условие:** на дисплее отображается индикатор готовности.

1. Удерживайте кнопку "menu/ok" нажатой в течение более 2 секунд.
  - » На дисплее появится меню.
2. Перейдите к меню *Уход > Удаление накипи*.
3. С помощью кнопок со стрелками выберите опцию *Запуск* и подтвердите выбор, нажав на "menu/ok".
4. Следуйте дальнейшим инструкциям на дисплее до завершения программы по удалению накипи.
  - » На дисплее появится индикатор готовности.

## 8.8 Настройка жесткости воды

Путем настройки жесткости воды регулируют, как часто аппарат генерирует запрос на удаление накипи. Чем жестче вода, тем чаще аппарат нуждается в удалении накипи.

**И** Информация

Если используется фильтр для воды, то нельзя настроить жесткость воды. Жесткость воды автоматически установлена на 1 = *Мягкая* (см. главу 1.1 *Используемые символы* на стр. 190).

Для определения жесткости воды используйте прилагающуюся индикаторную полоску. Соблюдайте инструкции, указанные на

упаковке индикаторной полоски, и в таблице *Диапазон жесткости воды* на стр. 233.

**Необходимое условие:** на дисплее отображается индикатор готовности.

1. Удерживайте кнопку "меню/ок" нажатой в течение более 2 секунд.
  - » На дисплее появится меню.
2. С помощью кнопок со стрелками перейдите к меню *Жесткость воды*.
3. С помощью кнопок со стрелками выберите диапазон жесткости воды и подтвердите выбор, нажав на "меню/ок".
4. Выйдите из меню с помощью команды Выход
  - » На дисплее появится индикатор готовности.

## 8.9 Использование фильтра для воды

Использование фильтра для воды продлевает срок службы аппарата и увеличивает интервалы удаления накипи. Поставляемый в комплекте фильтр для воды отфильтровывает известь и другие вредные вещества, содержащиеся в воде.

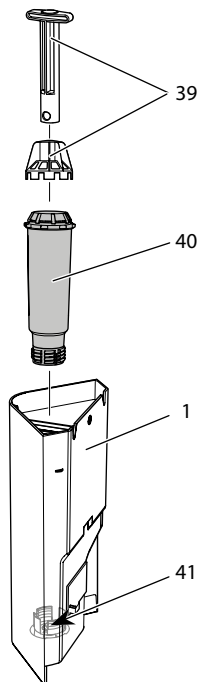


Рис. 20: Завинчивание и отвинчивание фильтра для воды

Фильтр для воды (40) завинчивается и отвинчивается с помощью специального приспособления (39) в резьбу (41) на дне контейнера для воды (1).

### Вставка фильтра

#### 📌 Информация

Перед применением опустите фильтр на несколько минут в емкость со свежей трубопроводной водой.

**Необходимое условие:** на дисплее отображается индикатор готовности.

1. Удерживайте кнопку "меню/ок" нажатой в течение более 2 секунд.
  - » На дисплее появится меню.
2. Перейдите к меню *Уход > Фильтр > Вставить фильтр*.
3. С помощью кнопок со стрелками выберите опцию *Запуск* и подтвердите выбор, нажав на "меню/ок".
4. Следуйте дальнейшим инструкциям на дисплее.
  - » Жесткость воды автоматически установлена на *Мягкая*.
- » На дисплее появится индикатор готовности.

### Замена фильтра для воды

Выполните замену фильтра для воды при поступлении соответствующего запроса от аппарата.

**Необходимое условие:** на дисплее отображается индикатор готовности.

1. Удерживайте кнопку "меню/ок" нажатой в течение более 2 секунд.
  - » На дисплее появится меню.
2. Перейдите к меню *Уход > Фильтр > Замена фильтра*.
3. С помощью кнопок со стрелками выберите опцию *Запуск* и подтвердите выбор, нажав на "меню/ок".
4. Следуйте дальнейшим инструкциям на дисплее.
  - » На дисплее появится индикатор готовности.

## Извлечение фильтра для воды

Не оставляйте фильтр для воды сухим в течение длительного времени. В случае продолжительного простоя рекомендуется хранить фильтр в емкости с трубопроводной водой, поместив ее в холодильник.

Извлеките фильтр для воды следующим образом:

**Необходимое условие:** на дисплее отображается индикатор готовности.

1. Удерживайте кнопку "menu/ok" нажатой в течение более 2 секунд.
  - » На дисплее появится меню.
2. Перейдите к меню *Уход > Фильтр > Извлечь фильтр*.
3. С помощью кнопок со стрелками выберите опцию *Запуск* и подтвердите выбор, нажав на "menu/ok".
4. Следуйте дальнейшим инструкциям на дисплее.
  - » Будет автоматически восстановлена исходная настройка жесткости воды.
  - » На дисплее появится индикатор готовности.
5. При необходимости, заново настройте жесткость воды (см. главу 8.8 *Настройка жесткости воды* на стр. 226).

## 9 Неисправности

Если не удается устранить неисправности с помощью нижеперечисленных или иных, не указанных здесь мер, обратитесь за помощью к специалистам нашей горячей линии (местный тариф).

+7 (499)/ 500-80-07

Неисправность	Причина	Способ устранения
Кофе поступает из выходного отверстия по капле.	Слишком мелкий помол.	▪ Настроить более крупный помол (см. главу 7.6 на стр. 219).
	Аппарат засорился.	▪ Прочистить блок заваривания (см. главу 8.3 на стр. 221). ▪ Выполнить программу очистки (см. главу 8.6 на стр. 224).
	В аппарате образовалась накипь.	▪ Очистить аппарат от накипи (см. главу 8.7 на стр. 225).
Кофе не льется.	Контейнер для воды пуст или вставлен неправильно.	▪ Наполнить водой контейнер и убедиться, что он правильно вставлен в аппарат (см. главу 4.5 на стр. 203).
	Блок заваривания засорен.	▪ Прочистить блок заваривания (см. главу 8.3 на стр. 221).
На дисплее появился индикатор <i>Засыпать зерна</i> , хотя контейнер для зерен полон.	Кофейные зерна не попадают в кофемолку.	▪ Нажать на одну из кнопок подачи. ▪ Слегка постучать по контейнеру для кофейных зерен. ▪ Прочистить контейнер для кофейных зерен. ▪ Кофейные зерна слишком маслянистые. Использовать другие кофейные зерна.
Кофемолка издает сильный шум при работе.	В кофемолку попал посторонний предмет.	▪ Свяжитесь со специалистами горячей линии.
Не удается вставить на место извлеченный блок заваривания.	Неправильное положение рукоятки блокировки блока заваривания.	▪ Проверить, правильно ли защелкнута рукоятка блокировки блока заваривания (см. главу 8.3 на стр. 221).
	Неправильное положение привода.	▪ Нажать и удерживать нажатой кнопку "Крепость кофе". Дополнительно нажать на кнопку "Вкл./Выкл." Аппарат выполнит инициализацию. Отпустить кнопки.
На дисплее появился индикатор <i>Системная ошибка</i> .	Сбой программы.	▪ Выключить и снова включить аппарат (см. главу 4.1 на стр. 199). ▪ Свяжитесь со специалистами горячей линии.

## 10 Транспортировка, хранение и утилизация

### 10.1 Выпаривание аппарата

В случае продолжительного простоя рекомендуется выпарить аппарат перед транспортировкой, а также при вероятности замерзания во время хранения при низких температурах.

При выпаривании из аппарата удаляются остатки воды.

**Необходимое условие:** на дисплее отображается индикатор готовности.

1. Подставьте емкость под выпускное отверстие.
2. Удерживайте кнопку "menu/ok" нажатой в течение более 2 секунд.
  - » На дисплее появится меню.
3. Перейдите в меню *Система* > *Выпаривание*.
4. С помощью кнопок со стрелками выберите опцию *Запуск* и подтвердите выбор, нажав на "menu/ok".
5. Следуйте дальнейшим инструкциям на дисплее.
  - » Затем аппарат выключится.

### 10.2 Транспортировка аппарата

#### ВНИМАНИЕ

**Замерзание остатков воды в аппарате может привести к повреждению аппарата.**

- Не оставляйте аппарат при температуре ниже 0 °С.

#### И Информация

Транспортируйте аппарат в оригинальной упаковке. Это поможет предотвратить повреждение аппарата во время транспортировки.

Перед тем как транспортировать аппарат, выполните следующие действия:

1. Выпарите аппарат (см. главу 10.1 *Выпаривание аппарата* на стр. 232).
2. Слейте жидкость из поддона для сбора капель и емкость для кофейного жмыха.
3. Слейте воду из контейнера для воды.
4. Очистите контейнер для кофейных зерен.
5. Прочистите аппарат (см. главу 8.1 *Общая чистка* на стр. 220).



6. Зафиксируйте незакрепленные детали (подставку под чашки и т. д.) с помощью подходящей клейкой ленты.
7. Упакуйте аппарат.

### 10.3 Утилизация аппарата



Для отмеченных данным символом аппаратов действует Европейская Директива 2002/96/EG для WEEE (отработанное электрическое и электронное оборудование).

Электроприборы утилизируются отдельно от бытовых отходов.

- Утилизируйте аппарат безопасным для окружающей среды образом с помощью специальных систем сбора.

## 11 Технические характеристики

Технические характеристики	
Рабочее напряжение	от 220 до 240 В, 50 Гц
Потребляемая мощность	макс. 1450 Вт
Напор насоса	статический макс. 15 бар
Размеры	
Ширина	253 мм
Высота	390 мм
Глубина	380 мм
Емкость	
Контейнер для кофейных зерен	125 г
Контейнер для воды	1,2 л
Объем напитка	от 25 мл до 220 мл
Вес	8,5 кг
Окружающие условия	
Температура	от 10 °С до 32 °С
Относительная влажность воздуха	от 30 % до 80 % (не конденс.)

Диапазон жесткости воды	°d	°e	°f
Мягкая	от 0 до 10	от 0 до 13	от 0 до 18
Средняя	от 10 до 15	от 13 до 19	от 18 до 27
Жесткая	от 15 до 20	от 19 до 25	от 27 до 36
Очень жесткая	>20	>25	>36

Заводские установки		
Эспрессо	Объем напитка	40 мл
	Крепость кофе	Крепкий
	Температура приготовления	Нормальная
Кофе-крем	Объем напитка	120 мл
	Крепость кофе	Крепкий
	Температура приготовления	Нормальная
Капучино	Объем напитка	130 мл
	Крепость кофе	Крепкий
	Температура приготовления	Нормальная
Латте маккиато	Объем напитка	190 мл
	Крепость кофе	Крепкий
	Температура приготовления	Нормальная
Молоко	Объем пены	180 мл
	Объем молока	180 мл
Горячая вода	Объем напитка	180 мл

## Зміст

<b>1</b>	<b>Ваша безпека</b> .....	<b>237</b>
1.1	Символи, що використовуються в керівництві .....	238
1.2	Використання за призначенням .....	238
1.3	Небезпека ураження електричним струмом .....	238
1.4	Небезпека отримання опіків та ошпарювання .....	239
1.5	Загальні правила техніки безпеки .....	239
<b>2</b>	<b>Огляд приладу</b> .....	<b>241</b>
2.1	Коротке ознайомлення з приладом .....	241
2.2	Коротке ознайомлення з панеллю управління .....	243
<b>3</b>	<b>Перші кроки</b> .....	<b>244</b>
3.1	Розпакування приладу .....	244
3.2	Перевірка комплекту поставки .....	244
3.3	Встановлення приладу .....	245
3.4	Підключення приладу .....	245
3.5	Перше вмикання приладу .....	245
<b>4</b>	<b>Основи обслуговування приладу</b> .....	<b>247</b>
4.1	Вмикання та вимикання приладу .....	247
4.2	Користування панеллю управління .....	248
4.3	Навігація в меню .....	248
4.4	Засипання зерна в ємність для кавових зерен .....	250
4.5	Наливання води .....	251
4.6	Регулювання випуску .....	252
4.7	Використання молока .....	253
4.8	Спорожнення піддона для крапель та контейнера для кавової гущі .....	254
<b>5</b>	<b>Приготування напоїв</b> .....	<b>256</b>
5.1	Приготування еспресо чи кави-крем .....	256
5.2	Приготування капуччіно .....	256
5.3	Приготування латте макіато .....	257
5.4	Приготування молочної пінки та теплого молока .....	258
5.5	Приготування гарячої води .....	258
5.6	Приготування подальших напоїв з використанням рецептів .....	259
5.7	Зміна налаштувань для приготування напоїв перед та під час процесу приготування .....	260
5.8	Зупинка приготування напою .....	261
5.9	Одночасне приготування двох напоїв .....	262
<b>6</b>	<b>іна налаштувань для постійного приготування напоїв</b> .....	<b>262</b>
6.1	Зміна попередніх налаштувань .....	263

<b>7</b>	<b>Зміна основних налаштувань .....</b>	<b>264</b>
7.1	Налаштування мови .....	264
7.2	Налаштування режиму автоматичного вимикання .....	264
7.3	Налаштування енергозберігаючого режиму.....	265
7.4	Скидання на заводські налаштування.....	265
7.5	Інформація про статус приладу.....	266
7.6	Регулювання ступеня помелу.....	266
<b>8</b>	<b>Догляд та технічне обслуговування .....</b>	<b>268</b>
8.1	Загальні правила проведення очищення .....	268
8.2	Промивання кавової системи .....	268
8.3	Демонтаж та очищення блоку заварювання .....	269
8.4	Використання програми «Легке очищення» .....	270
8.5	Використання програми «Очищення молочної системи» .....	271
8.6	Використання програми «Очищення кавової системи» .....	272
8.7	Використання програми «Очищення від накипу» .....	273
8.8	Регулювання жорсткості води .....	274
8.9	Використання водяних фільтрів.....	276
<b>9</b>	<b>Несправності.....</b>	<b>279</b>
<b>10</b>	<b>Транспортування, зберігання на складі та утилізація .....</b>	<b>280</b>
10.1	Випаровування залишкової води.....	280
10.2	Транспортування приладу.....	280
10.3	Утилізація приладу .....	281
<b>11</b>	<b>Технічні дані.....</b>	<b>281</b>

## Шановні клієнти!

Ми щиро вдячні Вам за те, що Ви зробили вибір на користь автоматичної кавомашини Caffeo® Passione®.

Дане керівництво з використання допоможе Вам ознайомитися з різноманітними можливостями приладу та насолодитися кавою вищої якості.

Уважно причитайте дане керівництво з використання. Таким чином Ви можете уникнути травм та пошкоджень матеріальних цінностей. Акуратно зберігайте керівництво з використання. У випадку передачі приладу іншій особі керівництво з використання слід теж передавати.

За збитки, що виникли в результаті недотримання інструкцій керівництва з використання, компанія Melitta не несе відповідальності.

Якщо Вам потрібна додаткова інформація чи якщо у Вас виникли питання щодо приладу, звертайтеся в компанію Melitta або заходьте на нашу вебсторінку за адресою:  
[www.melitta.de](http://www.melitta.de)

Ми бажаємо Вам насолоди від користування Вашим приладом.

## 1 Ваша безпека

- CE** Прилад відповідає наступним Директивам ЄС:
- 2006/95/ЄС (низьковольтне обладнання),
  - 2004/108/ЄС (електромагнітна сумісність),
  - 2011/65/ЄС (RoHS),
  - 2009/125/ЄС (екодизайн).

Прилад створений з урахуванням найновішого рівня техніки. Проте при використанні мають місце залишкові ризики.

Для уникнення ризиків необхідно дотримуватися вказівок з техніки безпеки. За збитки, що виникли в результаті недотримання вказівок з безпеки, компанія Melitta не несе відповідальності.

## 1.1 Символи, що використовуються в керівництві

Наступні символи вказують на особливу небезпеку при користуванні приладом або ж дають важливі вказівки.

### **ОБЕРЕЖНО**

Сигнальне слово «ОБЕРЕЖНО» вказує на небезпеку травмування.

### **УВАГА**

Сигнальне слово «УВАГА» вказує на небезпеку пошкодження приладу.

### **Інформація**

Сигнальне слово «Інформація» вказує на додаткові примітки та поради при користуванні приладом.

## 1.2 Використання за призначенням

Прилад служить для приготування напоїв з кави в зернах та для підігрівання молока та води.

Прилад передбачений для домашнього використання.

Будь-яке інше використання вважається таким, що не відповідає призначенню та може призвести до травм та пошкодження матеріальних цінностей. Компанія Melitta не несе відповідальності за збитки, що виникли в результаті використання приладу не за призначенням.

## 1.3 Небезпека ураження електричним струмом

У випадку пошкодження приладу або мережевого кабелю існує небезпека ураження електричним струмом.

Для недопущення небезпеки ураження електричним струмом дотримуйтеся наступних вказівок з техніки безпеки:

- Не використовуйте пошкоджений мережевий кабель.
- Заміна пошкодженого мережевого кабелю повинна здійснюватися виключно виробником,

- його службою обслуговування клієнтів або партнером з сервісного обслуговування.
- Не знімайте міцно загвинчені захисні кришки корпусу приладу.
  - Використовуйте прилад тільки у тому разі, якщо він перебуває у бездоганному з технічної точки зору стані.
  - Ремонт несправного приладу дозволяється виконувати тільки в авторизованому сервісному центрі. Ніколи не ремонтуйте прилад самостійно.
  - Не вносьте зміни в прилад, його компоненти чи приладдя.
  - Не занурюйте прилад у воду

#### 1.4 **Небезпека отримання опіків та ошпарювання**

Рідини та пари, що виходять з приладу, можуть бути дуже гарячими. Деякі частини приладу стають теж дуже гарячими.

Для недопущення опіків та ошпарення дотримуйтеся наступних вказівок з техніки безпеки:

- Уникайте попадання на шкіру рідин та парів, що виходять з приладу.
- Не торкайтеся форсунок випуску під час та безпосередньо після приготування напоїв. Почекайте, поки компоненти не охолонуть.

#### 1.5 **Загальні правила техніки безпеки**

Для недопущення травм та пошкоджень матеріальних цінностей дотримуйтеся наступних вказівок з техніки безпеки:

- Під час експлуатації приладу не торкайтесь елементів внутрішньої частини приладу.
- Зберігайте прилад та мережевий кабель подалі від дітей до 8 років.
- Дітям віком понад 8 років, а також особам з обмеженими фізичними, сенсорними чи розумовими здібностями чи недостатнім досвідом та знаннями дозволяється використовувати даний прилад за умови нагляду за ними з боку

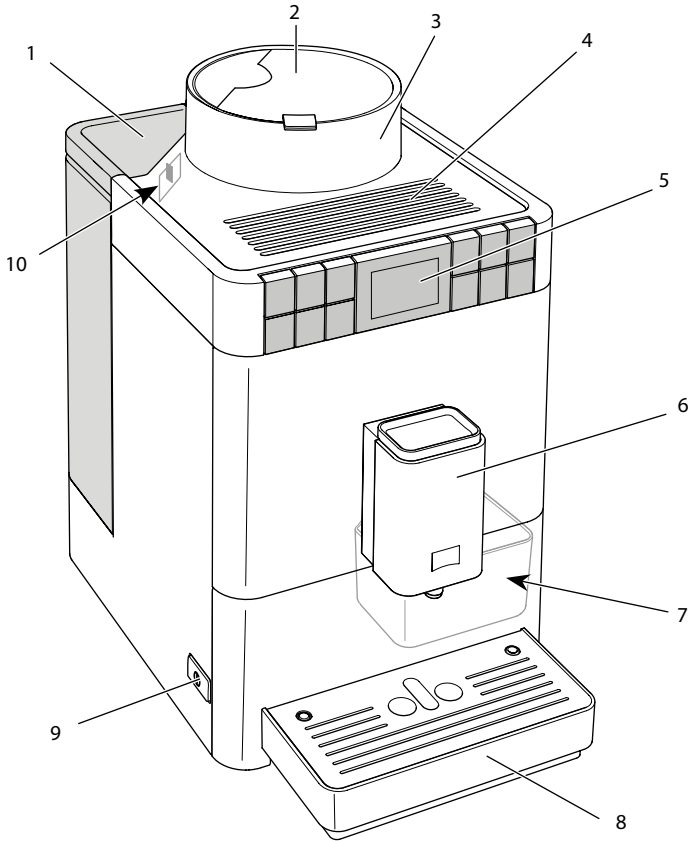
дорослих або якщо вони пройшли інструктаж стосовно безпечного користування приладом і усвідомлюють небезпеку, що може виникнути під час експлуатації.

- Дітям забороняється гратися з приладом. Виконувати чистку та технічне обслуговування дітям до 8 років забороняється. Очищення та технічне обслуговування дітьми віком понад 8 років повинно здійснюватися під наглядом дорослих.
- Відключайте прилад від мережі, якщо він довгий час перебуває без нагляду.



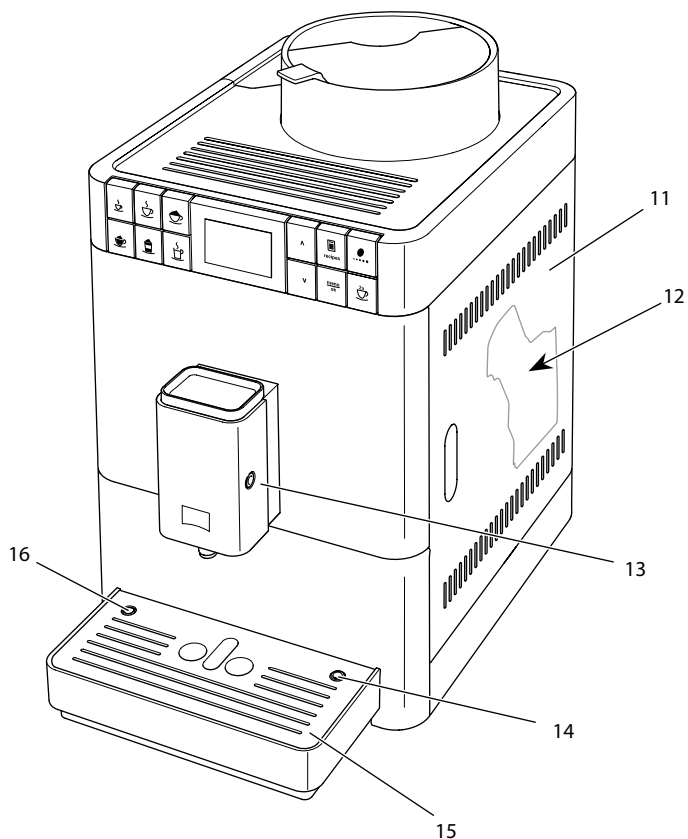
## 2 Огляд приладу

### 2.1 Коротке ознайомлення з приладом



Мал. 1: Прилад, вигляд зліва спереду

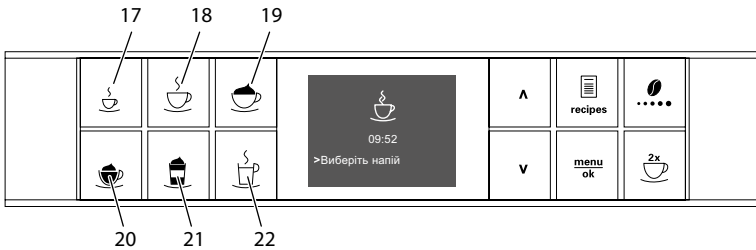
- |                                    |   |
|------------------------------------|---|
| 1 Резервуар для води з кришкою     | 6 Випуск для кави з можливістю регулювання висоти, з 2 форсунками для кави, 1 форсункою для молока, 1 форсункою для гарячої води, освітлення для чашок. |
| 2 Кришка ємності для кавових зерен | 7 Контейнер для кавової гущі (внутрішній)   |
| 3 Ємність для кавових зерен        | 8 Піддон для збору крапель  |
| 4 Поверхня для розміщення чашок    | 9 Кнопка «Вмк/Вимк»   |
| 5 Панель управління                | 10 Важіль «Регулювання ступеня помелу» (всередині)  |



Мал. 2: Прилад, вигляд справа спереду

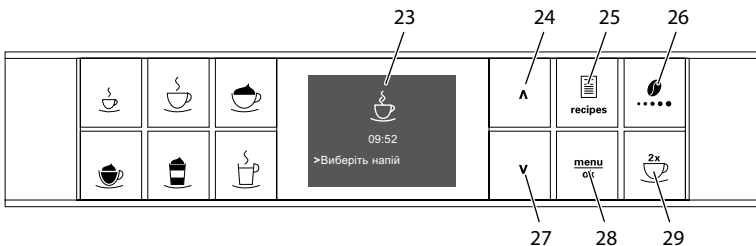
- |    |   |    |  |
|----|---|----|--|
| 11 | Захисна кришка  | 14 | Підключення шлангу подачі молока до лотка для капель |
| 12 | Блок заварювання (всередині)                                    | 15 | Підставка під чашки                                  |
| 13 | Під'єднання шлангу для приготування молока до виводу на випуску | 16 | Поплавок   |

## 2.2 Коротке ознайомлення з панеллю управління



Мал. 3: Клавiші вибору

Поз.	Назва	Функція
17	Еспрессо	Приготування еспрессо
18	Кава-крем	Приготування кави-крем
19	Капуччіно	Приготування капуччіно
20	Молочна пінка/ тепле молоко	Приготування молочної пінки та теплого молока
21	Латте макіато	Приготування латте макіато
22	Гаряча вода	Приготування гарячої води



Мал. 4: Дисплей та кнопки управління

Поз.	Назва	Функція
23	Дисплей	Індикація поточного меню і повідомлень Приклад: індикація готовності
24	Кнопка зі стрілкою Вверх	Навігація в меню вгору або підвищення кількості
25	Рецепти	Вибір рецептів та приготування
26	Міцність кави	Регулювання міцності кави
27	Кнопка зі стрілкою Вниз	Навігація в меню вниз або зменшення кількості
28	menu/ok	Виклик меню чи підтвердження вводу
29	Дві чашки	Приготування двох чашок напою

## 3 Перші кроки

У даному розділі описано, як вам підготувати свій прилад до використання.

### 3.1 Розпакування приладу

Крім приладу в упаковці також міститься додаткове приладдя, наприклад, допоміжні пристрої та засоби для чищення.

#### **⚠ ОБЕРЕЖНО**

**Контакт з миючими засобами може призвести до подразнень очей та шкіри.**

- Миючі засоби, що поставляються в комплекті з приладом, зберігайте в недоступному для дітей місці.
- Розпакуйте прилад. Зніміть з приладу пакувальний матеріал, клейку стрічку та захисну плівку.
- Пакувальний матеріал зберігайте на випадок транспортування або можливого відправлення приладу назад.

#### **ℹ Інформація**

У приладі можуть міститися сліди кави чи води. На заводі-виробнику прилад було перевірено на бездоганність роботи.

### 3.2 Перевірка комплекту поставки

На основі наступного списку перевірте комплектність поставки. Якщо деякі частини відсутні, то звертайтеся до вашого дилера.

- Допоміжний пристрій для вкручування водяного фільтру,
- Довгий шланг подачі молока,
- Щітка для очищення,
- Засіб для очищення автоматичної кавомашини,
- Засіб для очищення молочної системи,
- Засіб від накипу автоматичної кавомашини,
- Водяний фільтр,
- Смужка-індикатор для визначення жорсткості води.

Залежно від виконання додатково з

- ємністю для молока та коротким шлангом подачі молока.

### 3.3 Встановлення приладу

Враховуйте наступні вказівки:

- Не встановлюйте прилад в вологих приміщеннях.
- Встановлюйте прилад на стабільних, рівних та сухих поверхнях.
- Не встановлюйте прилад поблизу кухонної раковини чи в подібних місцях.
- Не встановлюйте прилад на гарячих поверхнях.
- Дотримуйтеся достатньої відстані приблизно 10 см до стіни та інших предметів. Відстань між приладом та предметом зверху повинна становити не менше 20 см.
- Прокладайте мережевий кабель так, щоб не пошкодити його в результаті наявності кромки чи гарячих поверхонь.

### 3.4 Підключення приладу

Враховуйте наступні вказівки:

- Переконайтеся, чи напруга в мережі співпадає з робочою напругою приладу, яка вказана в Технічних даних (див. таблицю *Технічні дані на сторінці 281*).
- Підключайте прилад тільки до розеток з захисним контактом, які встановлені згідно з правилами. У випадку сумнівів звертайтеся до фахівців-електриків.
- Розетка з захисним контактом повинна бути захищеною як мінімум запобіжником 10 А.

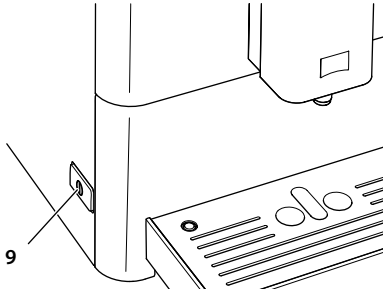
### 3.5 Перше вмикання приладу

Під час першого введення в експлуатацію ви можете встановити мову та жорсткість води. Ці налаштування ви можете змінити пізніше (див. розділ 7 *Зміна основних налаштувань* на сторінці 264 і розділ 8.8 *Регулювання жорсткості води* на сторінці 274).

Для визначення жорсткості води використовуйте смужки-індикатори, що додаються до комплекту поставки. Враховуйте інструкції на упаковці смужок-індикаторів та в таблиці *Діапазон жорсткості води на сторінці 281*.

#### **1** Інформація

- Перші дві чашки кави, приготовленої після першого вводу в експлуатацію, ми рекомендуємо вилити.
- Якщо ви хочете використовувати водяний фільтр, то його слід вставити тільки після першого введення в експлуатацію.



Мал. 5: Кнопка «Вмк/Вимк»

**Умова:** прилад встановлено та підключено до мережі.

1. Поставте під випуск чашку.
2. Натисніть на кнопку «Вмк/Вимк».
  - » На дисплеї виводиться привітання.
  - » На дисплеї з'являється запит провести початкове налаштування приладу: *Будь ласка, налаштуйте кавомашину.*
3. Підтвердьте натисканням «меню/ок».
  - » На дисплеї з'являється меню *Мова*.
4. Виберіть вашу мову, користуючись кнопками зі стрілками. Підтвердьте натисканням «меню/ок».
  - » На дисплеї з'являється меню *Жорсткість води*.
5. Виберіть визначений діапазон жорсткості води, користуючись кнопками зі стрілками, або ж підтвердьте попередньо налаштоване значення натисканням «меню/ок».
  - » З'являється запит *Будь-ласка, наповніть та вставте резервуар для води.*
6. Вийміть резервуар для води. Сполощіть резервуар чистою водою. Залийте в резервуар свіжої води та вставте його в прилад.
  - » Прилад нагрівається та виконує автоматичне промивання.
  - » На дисплеї з'являється індикація готовності.
7. Засипте зерна в ємність для кавових зерен. Прочитайте для цього розділ *4.4 Засипання зерна в ємність для кавових зерен на сторінці 250.*
  - » За потреби тепер ви можете вставити водяний фільтр (див. розділ *8.9 Використання водяних фільтрів* на сторінці 276).

## 4 Основи обслуговування приладу

У цьому розділі описані основні операції з обслуговування кавомашини під час щоденного користування.

### 4.1 Вмикання та вимикання приладу

Перед вмиканням при першому введенні приладу в експлуатацію прочитайте розділ 3.5 *Перше вмикання приладу* на сторінці 245.

#### Інформація

- При вмиканні та вимиканні прилад виконує автоматичне промивання.
- Під час промивання вода, що використовується для цієї операції, направляється в піддон збору для крапель.

#### Вмикання приладу

1. Поставте під випуск чашку.
2. Натисніть на кнопку «Вмк/Вимк» (9).
  - » На дисплеї виводиться привітання.
  - » Прилад нагрівається та виконує автоматичне промивання.
- » На дисплеї з'являється індикація готовності.

#### Інформація

Якщо прилад вимикається лиш на короткий проміжок часу, після повторного вмикання не здійснюється автоматичне промивання.

#### Вимикання приладу

1. Поставте під випуск чашку.
2. Натисніть на кнопку «Вмк/Вимк» (9).
  - » Прилад виконує автоматичне промивання.
- » Прилад вимикається.

#### Інформація

- Прилад вимикається автоматично, якщо на ньому довший час не виконується управління. У цьому випадку також відбувається автоматичне промивання.

- Час вимикання ви можете встановити в меню *Автом. вимк.*, див. розділ 7.2 *Налаштування режиму автоматичного вимикання* на сторінці 264.
- Якщо з часу вмикання не було приготовлено жодного напою або резервуар для води порожній, то промивання не здійснюється.

## 4.2 Користування панеллю управління

Важливі програми приладу доступні через панель управління.

Натисніть на бажану кнопку. Для обслуговування панелі управління використовуйте такі кнопки:



### Коротке натискання

Коротко натисніть на кнопку управління для вибору програми.



### Довге натискання

Натискайте на кнопку управління понад 2 секунди для вибору наявної другої програми.

## 4.3 Навігація в меню

Для налаштування індивідуальних напоїв, а також для технічного обслуговування та для догляду вам необхідно викликати на дисплеї меню та виконати навігацію.

Враховуйте вказівки на дисплеї:



Мал. 6: Дисплей (приклад) і кнопки управління для навігації



Для навігації в меню використовуйте наступні можливості:

### Виклик меню та підтвердження вибору



Натисніть на кнопку «menu/ok» і тримайте понад 2 секунди, щоб викликати меню.

Коротко натисніть на кнопку «menu/ok», щоб підтвердити свій вибір.

### Навігація в меню або зміна числового значення



Натискайте на кнопки зі стрілками для переходу вгору або вниз в меню.

Натискайте на кнопки зі стрілками щоб збільшити або зменшити числове значення.

Утримуйте кнопку зі стрілкою в натисненому стані, щоб швидко досягти бажаної позиції або бажаного числового значення.

### Вихід з меню



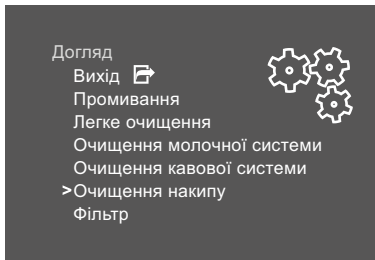
Виберіть команду *Вихід*, користуючись кнопками зі стрілками, та підтвердьте натисканням «menu/ok» для виходу з меню.

Натиснувши «menu/ok», вийдіть з підменю, які виводять тільки інформацію та в яких ви не здійснюєте налаштувань.

### Виклик підменю

Виконання деяких програм приладу ви можете досягти, по чергово викликавши декілька підменю.

Виклик підменю завжди виглядає подібно. У якості прикладу ми пропонуємо опис переходу до програми *Очищення від накипу*.



Мал. 7: Перехід до програми *Очищення від накипу*

1. Натисніть на кнопку «menu/ok» і тримайте 2 секунди.
  - » На дисплеї з'являється меню.

2. Виберіть *Догляд*, користуючись кнопками зі стрілками, та підтвердьте натисканням «меню/ок».
3. Виберіть *Очищення від накипу*, користуючись кнопками зі стрілками, та підтвердьте натисканням «меню/ок».

Вибір програми в даному керівництві з використання завжди зображено в скороченому вигляді.

- Перейдіть в меню *Догляд* > *Очищення від накипу*.

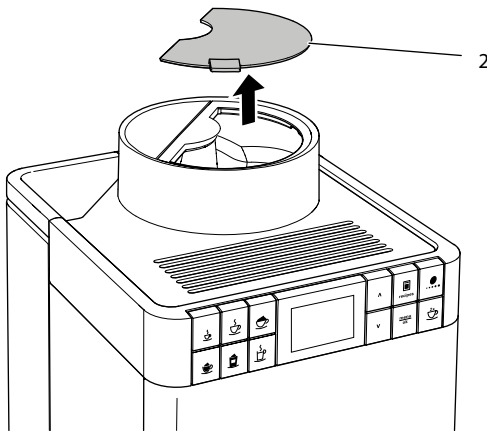
#### 4.4 Засипання зерна в ємність для кавових зерен

Обсмажені зерна кави втрачають свій аромат. У ємність для кавових зерен засипайте таку кількість зерен, яку ви можете використати за наступних 3 – 4 дні.

УВАГА

**Використання непридатних сортів кави може призвести до злипання в кавомолці.**

- Не використовуйте кавові зерна сублимаційної сушки, а також карамелізовані зерна.
- Не використовуйте мелену каву чи розчинні продукти.



Мал. 8: Відкривання кришки ємності для кавових зерен

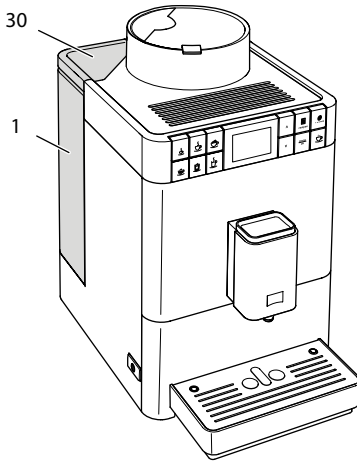
1. Відкрийте кришку (2) ємності для кавових зерен.
2. Засипте зерна в ємність для кавових зерен.
3. Закрийте кришку ємності для кавових зерен.

## 4.5 Наливання води

Для досягнення оптимального смаку кави використовуйте тільки свіжу, холодну негазовану воду. Замінійте воду щоденно.

### Інформація

Якість води грає визначальну роль для смаку кави. Саме тому використовуйте водяний фільтр (див. розділ 8.8 *Регулювання жорсткості води* на сторінці 274 та розділ 8.9 *Використання водяних фільтрів* на сторінці 276).

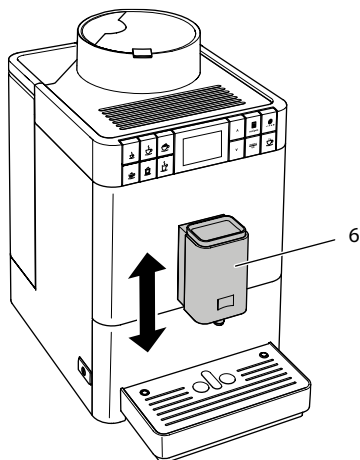


Мал. 9: Резервуар для води

1. Відкрийте кришку резервуару для води (30) та вийміть резервуар (1) з приладу, взявши його за рукоятку та потягнувши вгору.
2. Наповніть резервуар чистою водою.
3. Вставте резервуар з водою зверху в прилад та закрийте кришкою.

## 4.6 Регулювання випуску

Випуск (6) передбачає можливість регулювання висоти. Встановіть максимально малу відстань між випуском та чашкою. Залежно від висоти чашки пересувайте випуск ввєрх або вниз.



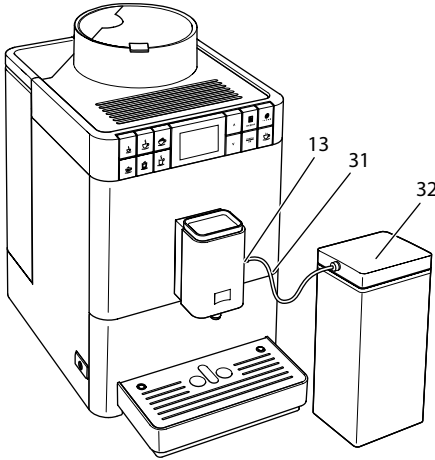
Мал. 10: Регулювання випуску

## 4.7 Використання молока

Для досягнення оптимального смаку кави слід використовувати охолоджене молоко. Залежно від виконання приладу використовуйте шланг для приготування молока або ємність для молока, що входять в комплект поставки.

### Підключення ємності для молока

Не у всіх виконаннях Caffeo® Passione® наявна ємність для молока.



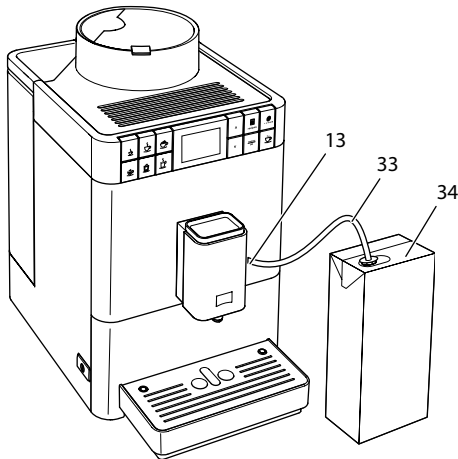
Мал. 11: Приєднана ємність для молока

1. З'єднайте шланг для приготування молока (31) з виводом на випуску(13).
2. З'єднайте вільний кінець шланга для приготування молока з ємністю для молока (32).

#### **I** Інформація

Наповнену ємність для молока зберігайте в холодильнику.

## Підключення упаковки молока



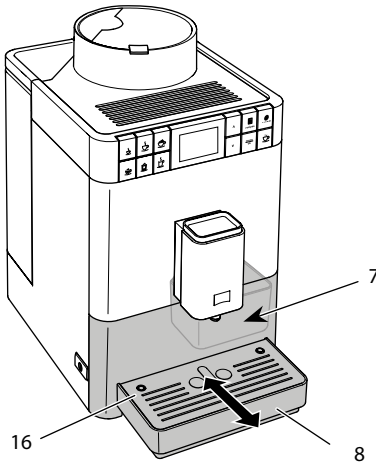
Мал. 12: Під'єднана звичайна упаковка молока

1. З'єднайте довгий шланг для приготування молока (33) з виводом на випуску(13).
2. Вставте вільний кінець шланга для приготування молока в звичайну упаковку молока (34).

## 4.8 Спорожнення піддона для крапель та контейнера для кавової гущі

Після кількох циклів приготування напоїв піддон для збору крапель (8) та контейнер для кавової гущі (7) можуть бути заповненими. Полпавок (16) також показує поточний рівень заповнення піддону для збору крапель.

Після визначеної кількості циклів приготування напоїв прилад також показує, що піддон для збору капелі і контейнер для кавової гущі повні. Завжди спорожнюйте піддон для крапель та контейнер для кавової гущі.



Мал. 13: Спорожнення піддона для крапель та контейнера для кавової гущі

1. Рухом вперед витягніть з приладу піддон (8).
2. Вийміть контейнер для кавової гущі (7) та спорожніть його.
3. Спорожніть піддон для збору крапель.
4. Встановіть контейнер для кавової гущі на місце.
5. Вставте піддон до упору в прилад.

#### **І** Інформація

Якщо ви спорожнюєте піддон для збору крапель та контейнер для кавової гущі, коли прилад перебуває у вимкненому стані, то прилад не фіксує цю операцію. Тому може статися так, що прилад виведе запит на проведення спорожнення, хоча піддон і контейнер для кавової гущі будуть ще не наповнені.

## 5 Приготування напоїв

Для приготування напоїв існує дві можливості:

- Стандартний вибір, як описано далі,
- Вибір та приготування за рецептом (див. розділ 5.6 *Приготування подальших напоїв з використанням рецептів* на сторінці 259).

### Інформація

- Попередні налаштування для стандартного приготування або для рецепта можна змінювати на довгий період часу (див. розділ 6.1 *Зміна попередніх налаштувань* на сторінці 263).

Майте на увазі:

- У резервуарі для води завжди повинно бути достатньо води. Якщо рівень наповнення занадто низький, то прилад робить запит щодо необхідності додаткового наповнення.
- У ємності для кавових зерен також постійно повинно бути достатньо кавових зерен. Якщо у ємності більше немає кавових зерен, то прилад перериває процес приготування кавового напою.
- Нестачу молока прилад не показує.
- Посудини для напоїв повинні бути достатньо місткими (див. таблицю *Заводські налаштування на сторінці 282*).

### 5.1 Приготування еспресо чи кави-крем



Умова: на дисплеї відображена індикація готовності.



1. Поставте під випуск чашку.
2. Натисніть на клавішу вибору «Еспресо» або «Кава-крем».
  - » Запустить процес помелу та подачу напою.
  - » Подача готового напою закінчується автоматично.
3. Заберіть чашку.
  - » На дисплеї з'являється індикація готовності.

### 5.2 Приготування капуччіно



Умови: на дисплеї відображена індикація готовності, та виконане підключення для приготування молока.

1. Поставте під випуск чашку.
2. Натисніть на клавішу вибору «Капуччіно».
  - » Запустить процес помелу та подачу кави.
  - » Подача кави закінчується автоматично.
  - » Починається подача молока.
  - » Подача готового напою закінчується автоматично.



3. Заберіть чашку.
  - » На дисплеї з'являється *Легке очищення?* (Натисніть «ОК» для старту).
4. Ви можете виконати програму «Легке очищення» або продовжити готувати напої.
  - а) Виконайте програму «Легке очищення». Дійте відповідно до інструкцій на дисплеї. Відповідну інформацію ви знайдете в розділі 8.4 *Використання програми «Легке очищення»* на сторінці 270.
  - б) Готуйте подальші напої та пізніше виконайте програму «Легке очищення».
- » На дисплеї з'являється індикація готовності.

### 5.3 Приготування латте макіато



Умови: на дисплеї відображена індикація готовності, та виконане підключення для приготування молока.

1. Поставте під випуск чашку.
2. Натисніть на клавішу вибору «Латте макіато».
  - » Починається подача молока.
  - » Подача молока закінчується автоматично.
  - » Запустіть процес помелу та подачу кави.
  - » Подача готового напою закінчується автоматично.
3. Заберіть чашку.
  - » На дисплеї з'являється *Легке очищення?* (Натисніть «ОК» для старту).
4. Ви можете виконати програму «Легке очищення» або продовжити готувати напої.
  - а) Виконайте програму «Легке очищення». Дійте відповідно до інструкцій на дисплеї. Відповідну інформацію ви знайдете в розділі 8.4 *Використання програми «Легке очищення»* на сторінці 270.
  - б) Готуйте подальші напої та пізніше виконайте програму «Легке очищення».
- » На дисплеї з'являється індикація готовності.

## 5.4 Приготування молочної пінки та теплого молока



Процеси приготування молочної пінки та теплого молока схожі між собою.

Умови: на дисплеї відображена індикація готовності, та виконане підключення для приготування молока.

1. Поставте під випуск чашку.
2. Натисніть на клавішу вибору «Молочна пінка/тепле молоко».
  - a) Молочна пінка = коротке натискання кнопки
  - b) Тепле молоко = довге натискання кнопки (понад 2 секунди)
    - » Починається подача молока.
    - » Подача готового напою закінчується автоматично.
3. Заберіть чашку.
  - » На дисплеї з'являється *Легке очищення?* (Натисніть «ОК» для старту).
4. Ви можете виконати програму «Легке очищення» або продовжити готувати напої.
  - a) Виконайте програму «Легке очищення». Дійте відповідно до інструкцій на дисплеї. Відповідну інформацію ви знайдете в розділі 8.4 *Використання програми «Легке очищення»* на сторінці 270.
  - b) Готуйте подальші напої та пізніше виконайте програму «Легке очищення».
    - » На дисплеї з'являється індикація готовності.

## 5.5 Приготування гарячої води



Умова: на дисплеї відображена індикація готовності.

1. Поставте під випуск чашку.
2. Натисніть на клавішу вибору «Гаряча вода».
  - » Починається подача гарячого молока.
  - » Подача готового напою закінчується автоматично.
3. Заберіть чашку.
  - » На дисплеї з'являється індикація готовності.

## 5.6 Приготування подальших напоїв з використанням рецептів



Крім стандартного приготування в меню *Рецепти* ви можете вибрати інші кавові напої. Тут вам пропонуються наступні кавові напої:

Кавові напої без молока:

- Рістретто,
- Лунго,
- Американо

Кавові напої з молоком:

- Еспрессо макіато,
- Кава-латте,
- Кава з молоком.

### Приготування рістретто, лунго чи американо

Приготування рістретто, лунго і американо є схожим. У якості прикладу ми пропонуємо опис приготування рістретто.

**Умова:** на дисплеї відображена індикація готовності.

1. Поставте під випуск чашку.
2. Натисніть на кнопку управління «Рецепти».
  - » На дисплеї з'являється меню *Рецепти*.
3. Виберіть *Рістретто*, користуючись кнопками зі стрілками.
4. Підтвердьте свій вибір натисканням «меню/ок».
  - » Запустіть процес помелу та подачу напою.
  - » подача готового напою закінчується автоматично.
5. Заберіть чашку.
  - » На дисплеї з'являється індикація готовності.

### Приготування еспрессо макіато, кави-латте чи кави з молоком

Приготування еспрессо макіато, кави-латте і кави з молоком є схожим. У якості прикладу ми пропонуємо опис приготування еспрессо макіато.

**Умови:** на дисплеї відображена індикація готовності, та виконане підключення для приготування молока.

1. Поставте під випуск чашку.
2. Натисніть на кнопку управління «Рецепти».
  - » На дисплеї з'являється меню *Рецепти*.
3. Виберіть *Еспрессо макіато*, користуючись кнопками зі стрілками.
4. Підтвердьте свій вибір натисканням «меню/ок».

- » Запустіть процес помелу та подачу кави.
  - » подача кави закінчується автоматично.
  - » Починається подача молока.
  - » подача готового напою закінчується автоматично.
5. Заберіть чашку.
    - » На дисплеї з'являється *Легке очищення?* (Натисніть «ОК» для старту).
  6. Ви можете виконати програму «Легке очищення» або продовжити готувати напої.
    - а) Виконайте програму «Легке очищення». Дійте відповідно до інструкцій на дисплеї. Відповідну інформацію ви знайдете в розділі 8.4 Використання програми «Легке очищення» на сторінці 270.
    - б) Готуйте подальші напої та пізніше виконайте програму «Легке очищення».
- » На дисплеї з'являється індикація готовності.

## 5.7 Зміна налаштувань для приготування напоїв перед та під час процесу приготування

Ви можете змінити налаштування для приготування напоїв перед та під час процесу приготування.

### Інформація

Наступні налаштування діють тільки для поточного приготування напоїв.

### Зміна налаштувань для приготування напоїв перед процесом приготування

Загальну кількість напою та міцність кави ви можете змінити перед вибором напою.



- Перед вибором напою відрегулюйте за допомогою кнопок зі стрілками бажану кількість напою.
- Перед вибором напою відрегулюйте за допомогою кнопки управління «Міцність кави» бажану міцність кави.

**І** Інформація

- Під час приготування молочних напоїв загальна кількість напою розподіляється за попередньо заданою пропорцією. Це стосується молочних напоїв з кави з молоком чи гарячою водою.
- Якщо протягом 1 хвилини ви не приготуєте напій, то прилад автоматично переходить в режим стандартних налаштувань.

**Зміна налаштувань для приготування напоїв під час процесу приготування**

Ви можете змінити кількість напою та міцність кави під час процесу приготування напою.



- Під час подачі напою відрегулюйте за допомогою кнопок зі стрілками відповідну кількість напою.
- Під час процесу помелу відрегулюйте за допомогою кнопки управління «Міцність кави» бажану міцність кави.

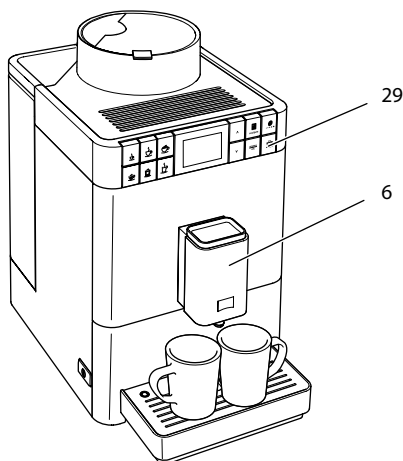
**5.8 Зупинка приготування напою**

Якщо ви хочете завчасно припинити приготування напою, то повторно натисніть на будь-яку клавішу вибору.

## 5.9 Одночасне приготування двох напоїв



За допомогою кнопки управління «Дві чашки» ви можете приготувати одночасно два напої. Приготування двох чашок можливе тільки при приготуванні виключно кавового напою, наприклад, еспресо, кави-крем чи рістретто. Приготування двох чашок неможливе для гарячої води, гарячого молока, а також молочних напоїв.



Мал. 14: Приготування двох чашок напою

1. Поставте під випуск (6) дві чашки.
2. Натисніть на кнопку управління «Дві чашки» (29).
3. Надалі дійте відповідно до опису приготування відповідних напоїв.

### Інформація

- Налаштування дійсне тільки для одного окремого приготування напою.
- Якщо протягом 1 хвилини ви не приготуєте напій, то прилад автоматично переходить в режим приготування однієї чашки напою.

## 6 іна налаштувань для постійного приготування напоїв

Прилад пропонує вам додаткові можливості приготування кавових напоїв. Ви можете використовувати попередньо задані рецепти або змінювати налаштування для постійного приготування напоїв.

## 6.1 Зміна попередніх налаштувань

Залежно від напою ви можете змінювати наступні попередні налаштування:

- **Кількість кави:** 25 – 220 мл,
- **Кількість молока чи молочної пінки:** 25 – 220 мл,
- **Кількість гарячої води:** 25 – 220 мл,
- **Міцність кави:** дуже м'яка, м'яка, нормальна, міцна, дуже міцна,
- **Температура:** низька, нормальна, висока.

### Інформація

Змінені попередні налаштування залишаються дійсними до їх наступної зміни.

Процес зміни налаштувань для приготування напоїв подібний для всіх напоїв. У якості прикладу ми пропонуємо опис зміни міцності кави для еспресо.



Мал. 15: Регулювання міцності кави

**Умова:** на дисплеї відображена індикація готовності.

1. Натисніть на кнопку «меню/ок» і тримайте понад 2 секунди.
    - » На дисплеї з'являється меню.
  2. Перейдіть в меню Клавiші вибору > Еспресо > Міцність кави.
  3. Виберіть бажану міцність кави, користуючись кнопками зі стрілками, та підтвердіть натисканням «меню/ок».
  4. Виберіть повторно команду *Вихід* для виходу з меню.
    - » На дисплеї з'являється індикація готовності.
- » При наступних циклах приготування еспресо буде використовуватися нова вибрана міцність кави.

## 7 Зміна основних налаштувань

У наступному розділі пропонується роз'яснення операцій з обслуговування, які змінюють основні налаштування приладу.

### 7.1 Налаштування мови

Ви можете налаштувати мову текстів на дисплеї.

**Умова:** на дисплеї відображена індикація готовності.

1. Натисніть на кнопку «меню/ок» і тримайте понад 2 секунди.
  - » На дисплеї з'являється меню.
2. Перейдіть в меню *Мова*.
3. Виберіть мову, користуючись кнопками зі стрілками, та підтвердьте натисканням «меню/ок».
4. Вийдіть з меню, вибравши команду *Вихід*.
  - » На дисплеї з'являється індикація готовності.

### 7.2 Налаштування режиму автоматичного вимикання

Якщо ви довгий час не виконуєте операцій управління приладом, то він по закінченні заданого часу автоматично вимикається. Цей час ви можете встановити в меню *Автом. вимк.*

#### Налаштування періоду часу для автоматичного вимикання

**Умова:** на дисплеї відображена індикація готовності.

1. Натисніть на кнопку «меню/ок» і тримайте понад 2 секунди.
  - » На дисплеї з'являється меню.
2. Перейдіть в меню *Автом. вимк.*
3. Виберіть час, користуючись кнопками зі стрілками, та підтвердьте натисканням «меню/ок».
4. Вийдіть з меню, вибравши команду *Вихід*.
  - » На дисплеї з'являється індикація готовності.

#### Інформація

Автоматичне вимикання неможливо повністю деактивувати. Якщо на кавомашині не виконуються операції управління протягом щонайменше 8 годин, то прилад вимикається.



### 7.3 Налаштування енергозберігаючого режиму

Енергозберігаючий режим впливає на зниження температури нагрівання.

Якщо ви довгий час не виконуєте операцій управління приладом, то він по закінченні заданого часу автоматично переходить в енергозберігаючий режим. Після цього на дисплеї з'являється індикація запиту *Натисніть будь-яку кнопку*. Як тільки ви слідуватимете запиту, енергозберігаючий режим буде завершено.

У меню *Енергозберігаючий режим* встановіть період часу, по закінченні якого активується енергозберігаючий режим.

**Умова:** на дисплеї відображена індикація готовності.

1. Натисніть на кнопку «temp/ok» і тримайте понад 2 секунди.
    - » На дисплеї з'являється меню.
  2. Перейдіть в меню *Енергозберігаючий режим*.
  3. Виберіть період часу, користуючись кнопками зі стрілками, та підтвердьте натисканням «temp/ok».
  4. Вийдіть з меню, вибравши команду *Вихід*.
- » На дисплеї з'являється індикація готовності.

#### Інформація

Енергозберігаючий режим неможливо повністю деактивувати. Якщо на кавомашині не виконуються операції управління протягом щонайменше 4 годин, то прилад переходить в енергозберігаючий режим.

### 7.4 Скидання на заводські налаштування

Ви можете скинути налаштування приладу на заводські.

#### Інформація

Якщо ви виконаєте скидання приладу на заводські налаштування, то втрачаються всі індивідуальні налаштування.

**Умова:** на дисплеї відображена індикація готовності.

1. Натисніть на кнопку «temp/ok» і тримайте понад 2 секунди.
    - » На дисплеї з'являється меню.
  2. Перейдіть в меню *Система > Заводські налаштування*.
  3. Виберіть *Скинути*, користуючись кнопками зі стрілками, та підтвердьте натисканням «temp/ok».
- » На дисплеї з'являється індикація готовності.

## 7.5 Інформація про статус приладу

Інформацію про статус приладу ви можете отримати через меню *Система > Статистика*. Для виходу з меню натисніть на кнопку «меню/ок».

У наступній таблиці вам пропонується загальний огляд значення інформації.

Інформація	Значення
<i>Кількість порцій</i>	Кількість порцій напоїв, приготовлених з моменту введення в експлуатацію.
<i>Очищення від накипу</i>	Кількість проведених циклів очищення від накипу.
<i>Очищення кавов. сист.</i>	Кількість проведених циклів очищення.
<i>Мол. систему очищено</i>	Кількість проведених циклів очищення.
<i>Фільтр замінено</i>	Кількість проведених замінів фільтра.

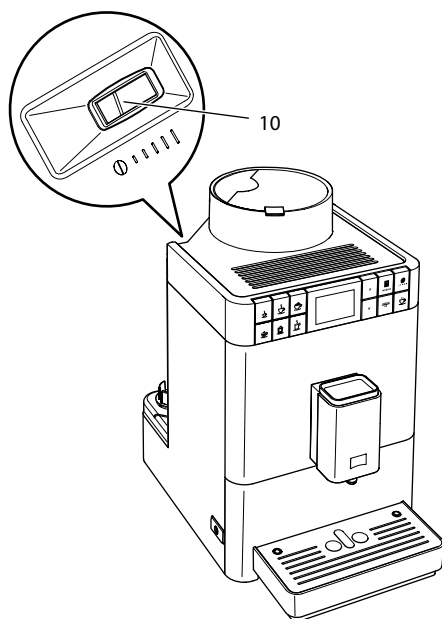
Індикатори виконання завдання графічно показують залишок циклів приготування напоїв до того моменту, коли прилад видасть запит на проведення очищення системи, очищення від накипу чи заміну фільтра.

### Версія програмного забезпечення

Інформацію про встановлену версію програмного забезпечення ви отримуєте за допомогою меню *Система > Програмна версія*. Для виходу з меню натисніть на кнопку «меню/ок».

## 7.6 Регулювання ступеня помелу

Ступінь помелу меленої кави впливає на смак кави. Перед поставкою виконане оптимальне налаштування ступеня помелу. Ми рекомендуємо виконувати юстування ступеня помелу не раніше, ніж після приготування приблизно 1000 порцій (через приблизно 1 рік).



Мал. 16: Важіль для регулювання ступеня помелу

1. Вийміть резервуар для води.
  - » На корпусі видно важіль «Регулювання ступеня помелу» (10).
2. Перемістіть важіль вліво або вправо, як зображено на Мал. 16.
  - Вліво = більш тонкий помел
  - Вправо = більш грубий помел
3. Вставте на місце резервуар для води.

#### **І** Інформація

- Якщо ви встановлюєте ступінь помелу на більш тонкий, то смак кави стає інтенсивнішим.
- Ступінь помелу оптимально відрегульовано, якщо кава рівномірно тече з випуску та якщо при цьому утворюється густий крем.

## 8 Догляд та технічне обслуговування

Завдяки регулярному проведенню догляду та технічного обслуговування приладу ви забезпечуєте стабільно високу якість ваших напоїв.

### 8.1 Загальні правила проведення очищення

Регулярно проводіть очищення приладу. Негайно витирайте зовнішні забруднення приладу молоком та кавою.

#### УВАГА

**Застосування непридатних миючих засобів може призвести до дряпання поверхні.**

- Не використовуйте абразивні серветки, губки та миючі засоби.

**Умова:** прилад перебуває у вимкненому стані.

- Зовнішнє очищення приладу виконуйте м'якою, вологою ганчіркою та звичайним засобом для миття посуду.
- Сполосніть піддон для збору крапель та контейнер для кавової гущі. Використовуйте для цього м'яку, вологу ганчірку та звичайний засіб для миття посуду.
- Очищення ємності для кавових зерен виконуйте м'якою, сухою ганчіркою
- Контейнер для кавової гущі (7), підставку під чашки (15) і ємність для молока (без кришки, шланга для приготування молока і трубки подачі) можна мити в посудомийній машині.

### 8.2 Промивання кавової системи

При промиванні виконується очищення форсунок на випуску та внутрішніх частин системи приготування кави. У результаті цього вода для промивання потрапляє з внутрішньої частини приладу в піддон для збору крапель.

При вмиканні та вимиканні прилад виконує автоматичне промивання.

Промивання ви можете виконувати також в ручному режимі:

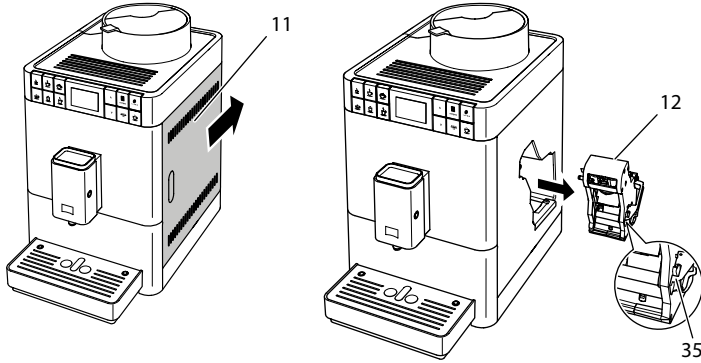
**Умова:** на дисплеї відображена індикація готовності.

1. Поставте під випуск чашку.
2. Натисніть на кнопку «меню/ок» і тримайте понад 2 секунди.
  - » На дисплеї з'являється меню.
3. Перейдіть в меню *Догляд > Промивання*.

- » Прилад виконує автоматичне промивання.
- » На дисплеї з'являється індикація готовності.

### 8.3 Демонтаж та очищення блоку заварювання

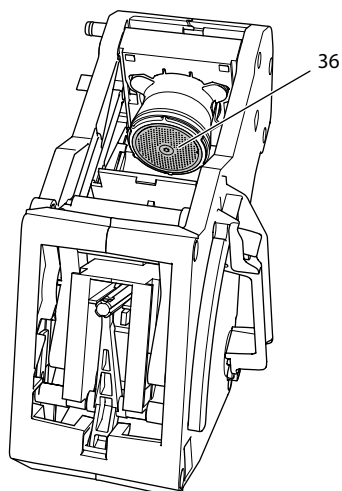
Для запобігання пошкодженню приладу ми рекомендуємо чистити блок заварювання один раз в тиждень.



Мал. 17: Виймання блоку заварювання

**Умова:** прилад перебуває у вимкненому стані.

1. Відкрийте захисну кришку (11). Для цього схопіть її за заглиблення з правої сторони приладу та посуньте захисну кришку назад. Зніміть захисну кришку.
2. Натисніть та утримуйте червоний важіль (35) на рукоятці блоку заварювання (12), тепер поверніть рукоятку за годинниковою стрілкою, поки вона не зафіксується на упорі.
3. Витягніть з приладу блок заварювання, захопивши його за рукоятку.



Мал. 18: Очищення блоку заварювання

4. Ґрунтовно промийте блок заварювання з усіх сторін під струменем протічної води.
  - » У блоці заварювання та ситі (36) немає залишків кави.
5. Залишіть блок заварювання сушитися, щоб з нього стекли краплі.
6. За допомогою м'якої, сухої ганчірки витріть з внутрішньої частини приладу рештки кави.
7. Вставте блок заварювання в прилад. Натисніть та утримуйте червоний важіль на рукоятці блоку заварювання, тепер поверніть рукоятку проти годинникової стрілки, поки вона не зафіксується на упорі.
8. Закрийте захисну кришку. Для цього вставте кришку та посуньте її в напрямку вперед так, щоб вона зафіксувалася.

## 8.4 Використання програми «Легке очищення»

За допомогою програми «Легке очищення» виконується промивання молочної системи.

Після приготування напою з молоком прилад робить запит щодо виконання програми «Легке очищення».

Програму «Легке очищення» ви можете виконувати також в ручному режимі.

**Умова:** на дисплеї відображена індикація готовності.

1. Поставте під випуск чашку.

2. Натисніть на кнопку «menu/ok» і тримайте понад 2 секунди.
    - » На дисплеї з'являється меню.
  3. Перейдіть в меню *Догляд > Легке очищення*.
  4. Виберіть *Старт*, користуючись кнопками зі стрілками, та підтвердьте натисканням «menu/ok».
  5. Дійте відповідно до інструкцій на дисплеї до завершення програми «Легке очищення».
- » На дисплеї з'являється індикація готовності.

## 8.5 Використання програми «Очищення молочної системи»

Для очищення молочної системи потрібен спеціальний засіб для очищення молочної системи.

Для підтримання гігієни та з метою уникнення пошкоджень приладу ми рекомендуємо проводити дану програму очищення один раз в тиждень.

Програма очищення триває приблизно 3 хвилини, і її не слід переривати.

УВАГА

**Застосування непридатних засобів для очищення молочної системи може призвести до пошкоджень.**

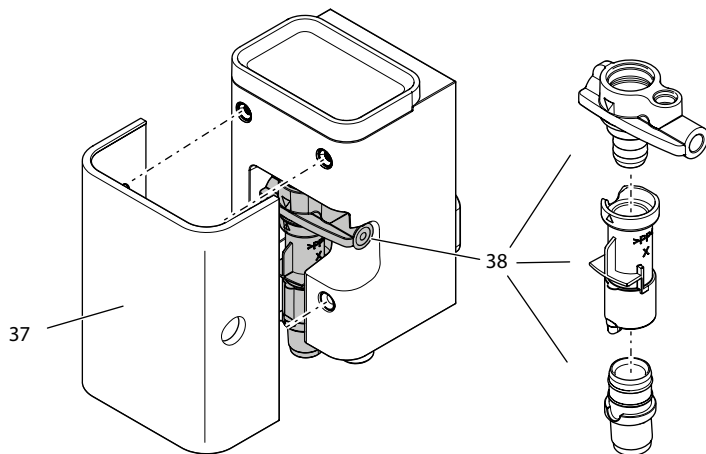
- Використовуйте виключно засіб для очищення молочної системи для кавомашин Melitta® PERFECT CLEAN.

**Умова:** на дисплеї відображена індикація готовності.

1. Поставте під випуск контейнер для кавової гущі (7) або посудину мінімальною місткістю 0,7 літра.
  2. Натисніть на кнопку «menu/ok» і тримайте понад 2 секунди.
    - » На дисплеї з'являється меню.
  3. Перейдіть в меню *Догляд > Очищення молочної системи*.
  4. Виберіть *Старт*, користуючись кнопками зі стрілками, та підтвердьте натисканням «menu/ok».
  5. Дійте відповідно до інструкцій на дисплеї до завершення програми очищення.
- » На дисплеї з'являється індикація готовності.

## Очищення молочного блоку

Додатково ми рекомендуємо регулярно проводити очищення молочного блоку, шланга для подачі молока та ємності для молока (залежно від моделі).



Мал. 19: Демонтаж молочного блоку

Для демонтажу молочного блоку дійте наступним чином:

Умова: шланг для приготування молока вийнято з приладу.

1. Рухом вперед зніміть захисну кришку (37) з випуску.
2. Натисніть вниз на молочний блок (38) і вийміть його.
3. Розкладіть молочний блок на три частини, як зображено вверху.
4. Прочистіть окремі деталі теплою водою. Використовуйте щітку для очищення, що входить в комплект поставки, м'яку, вологу ганчірку та звичайний засіб для миття посуду

Монтаж відбувається у зворотній послідовності.

## 8.6 Використання програми «Очищення кавової системи»

Завдяки програмі «Очищення кавової системи» та за допомогою миючих засобів для автоматичних кавомашин видаляються залишки та рештки кавової олії.

Для уникнення пошкоджень приладу ми рекомендуємо проводити дану програму очищення один раз в 2 місяці або при запиті приладу.

Програма очищення триває приблизно 10 хвилин, і її не слід переривати.



**⚠ ОБЕРЕЖНО**

**Контакт з миючими засобами для автоматичних кавомашин може призвести до подразнень очей та шкіри.**

- Звертайте увагу на вказівки з використання, що містяться на упаковці засобу для очищення автоматичних кавомашин.

**УВАГА**

**Застосування непридатних засобів для очищення автоматичних кавомашин може призвести до пошкоджень приладу.**

- Використовуйте виключно таблетки для очищення кавомашин Melitta® PERFECT CLEAN.

**Умова:** на дисплеї відображена індикація готовності.

1. Натисніть на кнопку «menu/ok» і тримайте понад 2 секунди.
  - » На дисплеї з'являється меню.
2. Перейдіть в меню *Догляд > Очищення кавової системи*.
3. Виберіть *Старт*, користуючись кнопками зі стрілками, та підтвердьте натисканням «menu/ok».
4. Дійте відповідно до інструкцій на дисплеї до завершення програми очищення.
  - » На дисплеї з'являється індикація готовності.

## 8.7 Використання програми «Очищення від накипу»

Завдяки програмі «Очищення від накипу» та за допомогою засобу від накипу в автоматичних кавомашинах видаляються нагромадження вапняного накипу на внутрішніх частинах приладу.

Для уникнення пошкоджень приладу ми рекомендуємо проводити дану програму очищення від накипу один раз в 3 місяці або при запиті приладу.

Програма очищення від накипу триває приблизно 25 хвилин, і її не слід переривати.

**⚠ ОБЕРЕЖНО**

**Контакт з засобами від накипу для автоматичних кавомашин може призвести до подразнень очей та шкіри.**

- Звертайте увагу на вказівки з використання, що містяться на упаковці засобу від накипу для автоматичних кавомашин.

**УВАГА**

**Застосування непридатних засобів від накипу може призвести до пошкоджень.**

- Використовуйте виключно рідкі засоби від накипу для кавомашин Melitta® ANTI CALC.

**УВАГА**

**Загвинчений водяний фільтр під час програми очищення від накипу може бути пошкодженим.**

- Видаліть водяний фільтр, якщо вам про це повідомляє прилад.
- Вставте водяний фільтр під час програми очищення від накипу в посудину з водопровідною водою.
- Після закінчення програми очищення від накипу ви можете знову вставити водяний фільтр в прилад та продовжити його використання.

**Умова:** на дисплеї відображена індикація готовності.

1. Натисніть на кнопку «menu/ok» і тримайте понад 2 секунди.
  - » На дисплеї з'являється меню.
2. Перейдіть в меню *Догляд > Очищення від накипу*.
3. Виберіть *Старт*, користуючись кнопками зі стрілками, та підтвердіть натисканням «menu/ok».
4. Дійте відповідно до інструкцій на дисплеї до завершення програми очищення від накипу.
  - » На дисплеї з'являється індикація готовності.

## 8.8 Регулювання жорсткості води

За допомогою налаштування жорсткості води здійснюється регулювання того, як часто прилад буде робити запит на очищення його від накипу. Чим жорсткіша вода, тим частіше прилад підлягає очищенню від накипу.

### Інформація

Якщо ви використовуєте водяний фільтр, то ви не можете регулювати жорсткість води. Жорсткість води автоматично встановлюється на 1 = М'яка (див. розділ 8.9 *Використання водяних фільтрів* на сторінці 276).

Визначте жорсткість води за допомогою смужок-індикаторів, що додаються до комплекту поставки. Враховуйте інструкції на упаковці

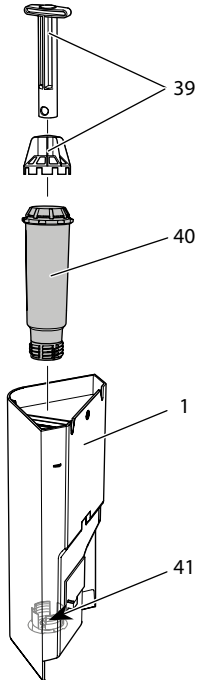
смужок-індикаторів та в таблиці *Діапазон жорсткості води* на сторінці 281.

**Умова:** на дисплеї відображена індикація готовності.

1. Натисніть на кнопку «меню/ок» і тримайте понад 2 секунди.
  - » На дисплеї з'являється меню.
2. За допомогою кнопок зі стрілками перейдіть в меню *Жорсткість води*.
3. Виберіть діапазон жорсткості води, користуючись кнопками зі стрілками, та підтвердьте натисканням «меню/ок».
4. Вийдіть з меню, вибравши команду *Вихід*.
  - » На дисплеї з'являється індикація готовності.

## 8.9 Використання водяних фільтрів

Використання водяного фільтра подовжує строк служби приладу, а також зменшує необхідність видалення накипу. Водяний фільтр, що входить в комплект поставки, відфільтровує вапно та інші шкідливі речовини, що містяться у воді.



Мал. 20: Закручування або викручування водяного фільтра

Водяний фільтр (40) за допомогою допоміжного пристрою (39) закручується та викручується з різьби (41) на дні резервуара для води (1).

## Встановлення водяного фільтра

### Інформація

Перед встановленням водяного фільтра, покладіть його на декілька хвилин в ємність зі свіжою водопровідною водою.

**Умова:** на дисплеї відображена індикація готовності.

1. Натисніть на кнопку «меню/ок» і тримайте понад 2 секунди.
  - » На дисплеї з'являється меню.
2. Перейдіть в меню *Догляд > Фільтр > Вставити фільтр*.
3. Виберіть *Старт*, користуючись кнопками зі стрілками, та підтвердьте натисканням «меню/ок».
4. Дійте відповідно до інструкцій на дисплеї.
  - » Жорсткість води автоматично встановлюється на *М'яка*.
- » На дисплеї з'являється індикація готовності.

## Заміна водяного фільтра

Замініть водяний фільтр, якщо вам про це повідомляє прилад.

**Умова:** на дисплеї відображена індикація готовності.

1. Натисніть на кнопку «меню/ок» і тримайте понад 2 секунди.
  - » На дисплеї з'являється меню.
2. Перейдіть в меню *Догляд > Фільтр > Змінити фільтр*.
3. Виберіть *Старт*, користуючись кнопками зі стрілками, та підтвердьте натисканням «меню/ок».
4. Дійте відповідно до інструкцій на дисплеї.
- » На дисплеї з'являється індикація готовності.

## Знімання водяного фільтра

Водяний фільтр не повинен залишатися в сухому виді протягом довшого періоду часу. При більш тривалому невикористанні ми рекомендуємо зберігати водяний фільтр в холодильнику в ємності з водопровідною водою.

Зніміть водяний фільтр наступним чином:

**Умова:** на дисплеї відображена індикація готовності.

1. Натисніть на кнопку «меню/ок» і тримайте понад 2 секунди.
  - » На дисплеї з'являється меню.
2. Перейдіть в меню *Догляд > Фільтр > Зняти фільтр*.
3. Виберіть *Старт*, користуючись кнопками зі стрілками, та підтвердьте натисканням «меню/ок».
4. Дійте відповідно до інструкцій на дисплеї.
  - » Жорсткість води автоматично скидається на попереднє значення.
  - » На дисплеї з'являється індикація готовності.
5. За потреби відрегулюйте повторно жорсткість води (див. розділ 8.8 *Регулювання жорсткості води на сторінці 274*).

## 9 Несправності

Якщо після використання названих нижче заходів вам не вдалося усунути несправності або якщо у вас виникли поломки, не вказані у даному керівництві, то звертайтеся за консультацією на нашу гарячу лінію (місцевий тариф).

ТОВ «ІНДЖЕНІУМ»  
+380 (44)/ 359-04-17

Несправність	Причина	Захід
Кава виходить з випуску тільки окремими краплями.	Занадто тонка ступінь помелу.	<ul style="list-style-type: none"> <li>Встановити більш грубу ступінь помелу (див. розділ 7.6 на сторінці 266).</li> </ul>
	Прилад забруднений.	<ul style="list-style-type: none"> <li>Очистити блок заварювання (див. розділ 8.3 на сторінці 269).</li> <li>Провести програму очищення (див. розділ 8.6 на сторінці 272).</li> </ul>
	Прилад забитий накипом.	<ul style="list-style-type: none"> <li>Провести очищення від накипу (див. розділ 8.7 на сторінці 273).</li> </ul>
Кава не тече.	Резервуар для води не заповнений або вставлений неналежним чином.	<ul style="list-style-type: none"> <li>Заповніть резервуар для води та зверніть увагу на його належну посадку (див. розділ 4.5 на сторінці 251).</li> </ul>
	Блок заварювання забитий.	<ul style="list-style-type: none"> <li>Очистити блок заварювання (див. розділ 8.3 на сторінці 269).</li> </ul>
Індикація на дисплеї <i>Zasunte kavove зерна</i> , хоча ємність для кавових зерен заповнена.	Зерна не падають в кавомолку.	<ul style="list-style-type: none"> <li>Натиснути на клавішу вибору.</li> <li>Легко постукати по ємності для кавових зерен.</li> <li>Очистити ємність для кавових зерен.</li> <li>Кавові зерна надто оліїсті. Використовувати інші зерна.</li> </ul>
Гучний шум кавомолки.	Чужорідний предмет в кавомолці.	<ul style="list-style-type: none"> <li>Звернутися на гарячу лінію.</li> </ul>
Після вийняття блоку заварювання не вдається вставити в прилад.	Рукоятка для замикання блоку заварювання не в належному положенні.	<ul style="list-style-type: none"> <li>Перевірити, чи рукоятка для замикання фіксується належним чином (див. розділ 8.3 на сторінці 269).</li> </ul>
	Привід не в належному положенні.	<ul style="list-style-type: none"> <li>Натиснути та утримувати кнопку «Міцність кави». Додатково натиснути на кнопку «Вмк/Вимк». Прилад виконує процес ініціалізації. Відпустити кнопку.</li> </ul>
Індикація <i>Помилка системи</i> на дисплеї.	Помилка програмного забезпечення.	<ul style="list-style-type: none"> <li>Прилад вимкнути і знову ввімкнути (див. розділ 4.1 на сторінці 247).</li> <li>Звернутися на гарячу лінію.</li> </ul>

## 10 Транспортування, зберігання на складі та утилізація

### 10.1 Випаровування залишкової води

Якщо прилад не використовується протягом довшого періоду часу, то перед транспортуванням або у випадку небезпеки замерзання ми рекомендуємо провести процес випаровування.

Під час випаровування з приладу видаляються залишки води.

**Умова:** на дисплеї відображена індикація готовності.

1. Поставте під випуск чашку.
2. Натисніть на кнопку «меню/ок» і тримайте понад 2 секунди.
  - » На дисплеї з'являється меню.
3. Перейдіть в меню *Система* > *Випаровування*.
4. Виберіть *Старт*, користуючись кнопками зі стрілками, та підтвердіть натисканням «меню/ок».
5. Дійте відповідно до інструкцій на дисплеї.
  - » Прилад вимикається.

### 10.2 Транспортування приладу

#### УВАГА

**Замерзання залишків води в приладі може призвести до його пошкодження.**

- Забезпечте такі умови, щоб прилад не зазнавав впливу температур нижче 0 °С.

#### Інформація

Прилад транспортуйте в оригінальній упаковці. Завдяки цьому ви можете уникнути пошкоджень під час транспортування.

Перш ніж транспортувати прилад, виконайте наступні операції

1. Випаруйте воду з приладу (див. розділ 10.1 *Випаровування залишкової води* на сторінці 280).
2. Спорожніть піддон для збору крапель та контейнер для кавової гущі.
3. Спорожніть резервуар для води.
4. Спорожніть ємність для кавових зерен.
5. Проведіть очищення приладу (див. розділ 8.1 *Загальні правила проведення очищення* на сторінці 268).



6. Прикріпіть незакріплені частини (підставку під чашки і т.д.) за допомогою придатної клейкої стрічки.
7. Запакуйте прилад.

### 10.3 Утилізація приладу



Позначені даним символом прилади підпадають під Директиву ЄС 2002/96/ЄС щодо утилізації відходів електричного та електронного обладнання (WEEE).

Електричні прилади не утилізуються з побутовими відходами.

- Забезпечте екологічно чисту утилізацію приладу, здавши його у відповідний пункт прийому для подальшої переробки.

## 11 Технічні дані

Технічні дані	
Робоча напруга	220 В - 240 В, 50 Гц
Споживання потужності	макс. 1450 Вт
Тиск насоса	статичний макс. 15 бар
Розміри	
Ширина	253 мм
Висота	390 мм
Глибина	380 мм
Місткість	
Ємність для кавових зерен	125 г
Резервуар для води	1,2 л
Об'єм одного приготування кави	25–220 мл
Вага (в пустому стані)	8,5 кг
Навколишні умови	
Температура	10 °C – 32 °C
Відносна вологість	30 % – 80 % (неконденсуюча)

Діапазон жорсткості води	°d	°e	°f
М'яка	0 – 10	0 – 13	0 – 18
Помірна	10 – 15	13 – 19	18 – 27
Жорстка	15 – 20	19 – 25	27 – 36
Дуже жорстка	>20	>25	>36

Заводські налаштування		
Еспрессо	Кількість напою	40 мл
	Міцність кави	Міцна
	Температура заварювання	Нормальна
Кава-крем	Кількість напою	120 мл
	Міцність кави	Міцна
	Температура заварювання	Нормальна
Капуччіно	Кількість напою	130 мл
	Міцність кави	Міцна
	Температура заварювання	Нормальна
Латте макіато	Кількість напою	190 мл
	Міцність кави	Міцна
	Температура заварювання	Нормальна
Молоко	Кількість пінки	180 мл
	Кількість молока	180 мл
Гаряча вода	Кількість напою	180 мл





Melitta Europa GmbH & Co. KG  
Division Household Products  
Ringstr. 99  
D-32427 Minden  
Germany  
[www.melitta.de](http://www.melitta.de)

Editorial department:  
ZINDEL AG  
[www.zindel.de](http://www.zindel.de)